

# **Red Sea REEFER™**

Peninsula S 700 G2+

---

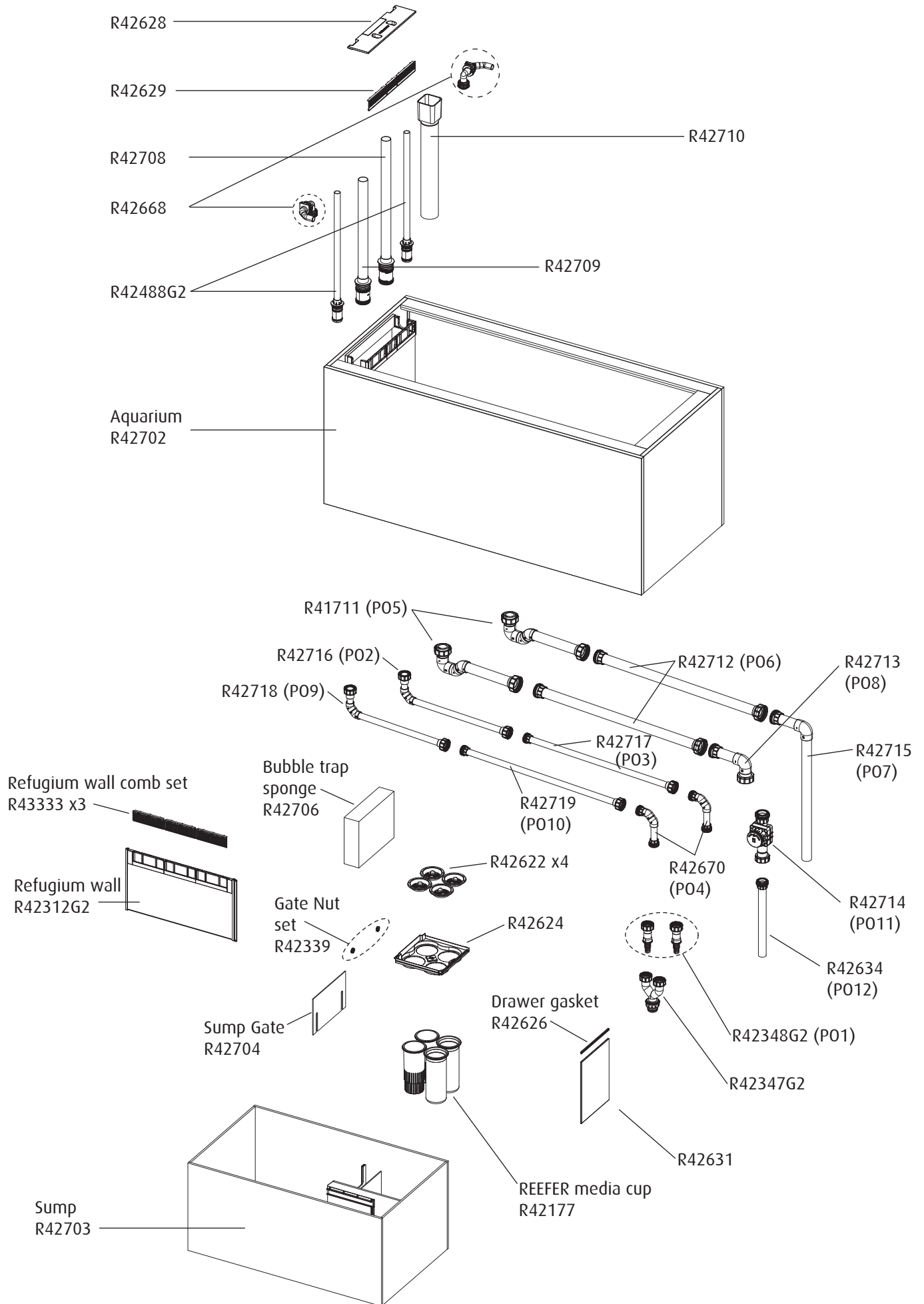
Aquarium & Cabinet Assembly Manual



Resource & Support Center:  
[www.redseafish.com/support/](http://www.redseafish.com/support/)

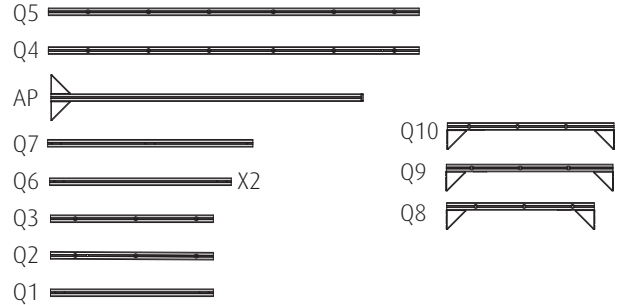
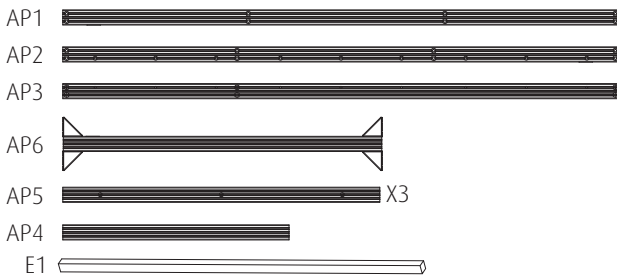
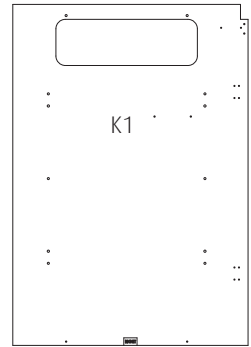
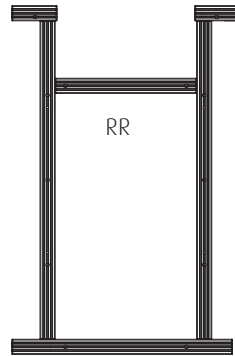
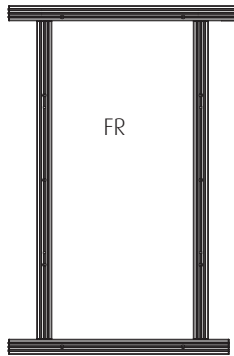
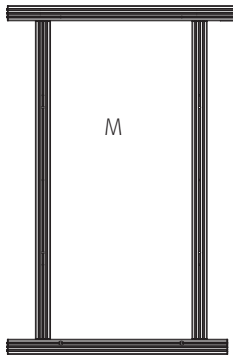
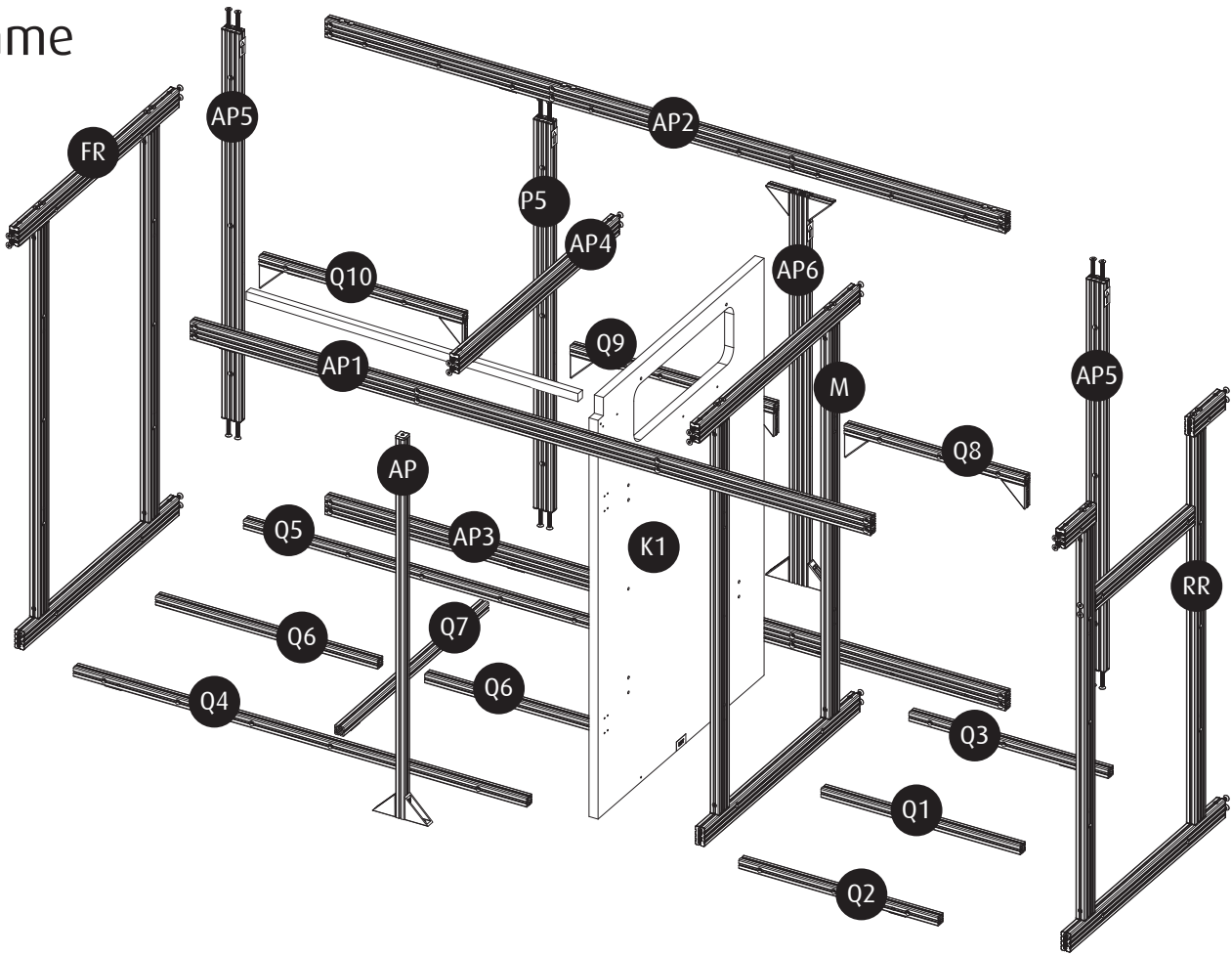


# Aquarium Water Management System



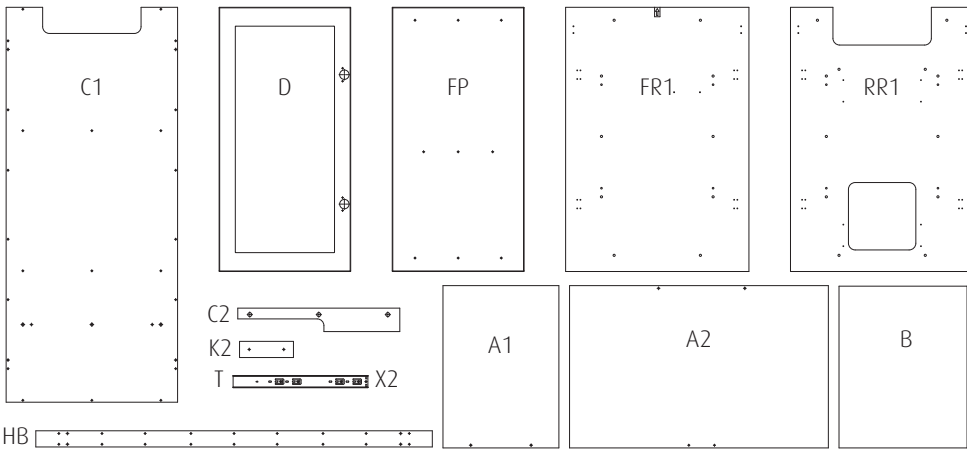
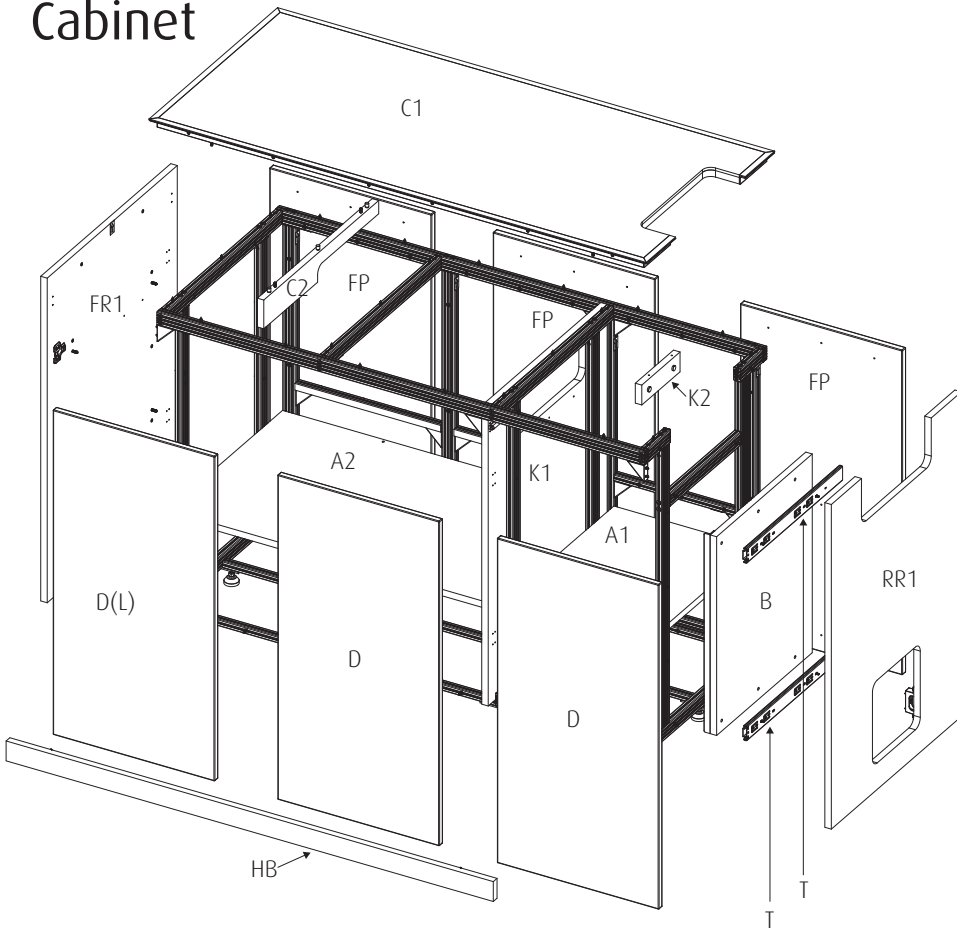


# Frame



Label	Peninsula S-700 G2+	Part Description	Label	Peninsula S-700 G2+	Part Description	Label	Peninsula S-700 G2+	Part Description
M	9052	Mid Frame	AP4	9100-1RC	Top Support Profile	Q5	9111-1RC	Sump Base Rear Horizontal
FR	9051	Front Frame	AP5	9104-4RC	Rear Vertical Profile	Q6	9114-1RC	Sump Base Mid Horizontal
RR	9053	Rear Frame	AP6	9105-1RC	Rear Center	Q7	9115-1RC	Sump Base Center
AP	7446G	Front Support	Q1	9110-1RC	Chiller Base Mid	Q8	9112-1RC	Rear Support Horizontal - Rear
AP1	9106-1B	Top Front Horizontal Profile	Q2	9110-2RC	Chiller Base Front	Q9	9113-1RC	Rear Support Horizontal - Mid
AP2	9107-1RC	Top Rear Horizontal Profile	Q3	9110-3RC	Chiller Base Rear	Q10	9113-2RC	Rear Support Horizontal - Front
AP3	9107-2RC	Bottom Rear Horizontal Profile	Q4	9111-2RC	Sump Base Front Horizontal	K1	9014	Mid Board
						E1	8931	EVA Rear Center

# Cabinet



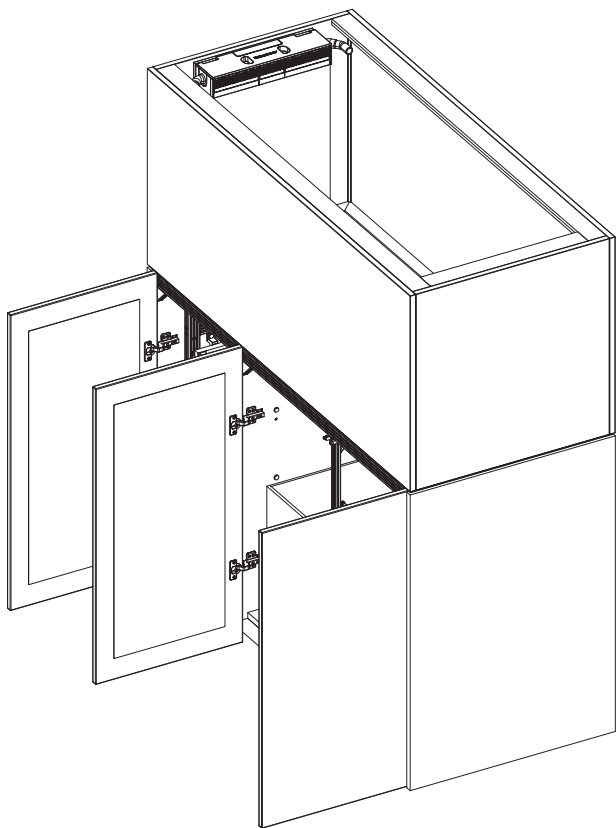
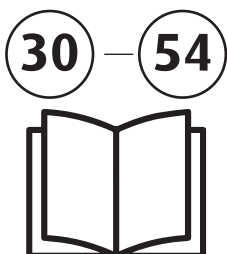
Label	Peninsula S-700 G2+	Part Description
A1	9015	Cabinet Bottom Chiller
A2	9016	Cabinet Bottom Sump
C1	9011A	Cabinet Top board
C2	9018	Cabinet Top internal support board
FR1	9012B/WB	Cabinet Front board
RR1	9013B/WB	Cabinet Rear board
FP	8935B/W	Cabinet Fixed Panel
HB	9017	Cabinet Socket
K2	9010	Cabinet pipe clip board
B/J	7959A	Control Board Plate
T	7866	Extension slide (pair)
D	8934B/W	Door

V1	ST4x16	36	Z		12
V3	ST5x35	50	M1		3
V4	ST5x50	32	L1		6
V5	ST5x70	2	L3		6
V6	ST3.5x14	2	P		3
V8	M5x10	1	Q		3
V10	M4x30	22	N1		20
V11	M6x35	22	N2		4
V12	ST5x12	85	U		4
V13	M6x55	12	W		18
V14	P4x12	4	S		3
V16	M4x12	6	R		1
V17	ST5x30	2	T1		3
V18	ST5x25	8	T3		16
V19	ST5x20	2	S1		1
Y1		2	V2		1
Y2		2	FM1		2
Y3		2	FM2		2
FM3		2	FM4		2
FM5		2	FM6		2
F1		2	F2		3
			F3		4



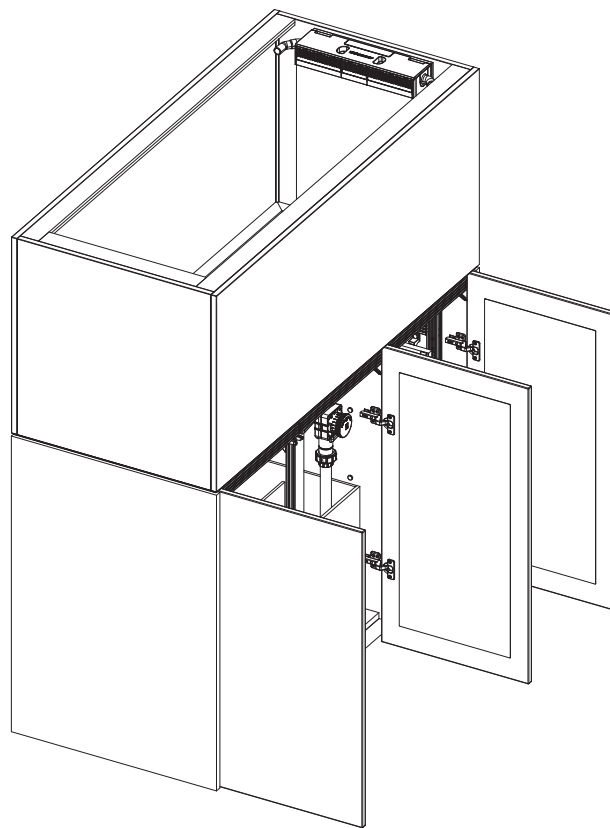
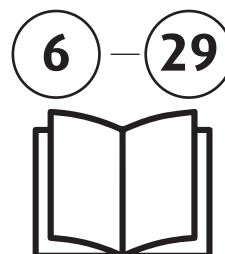
## LEFT-SIDE Door instalation

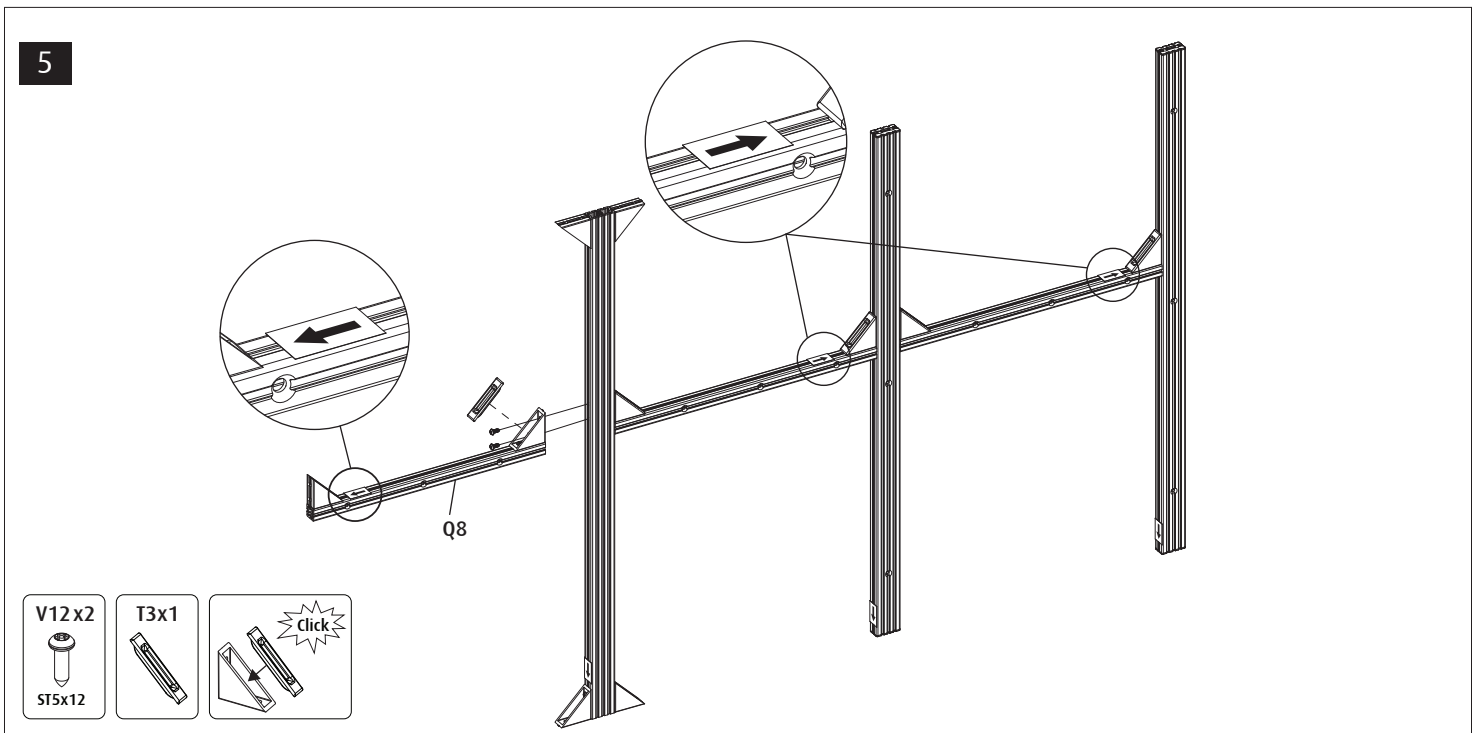
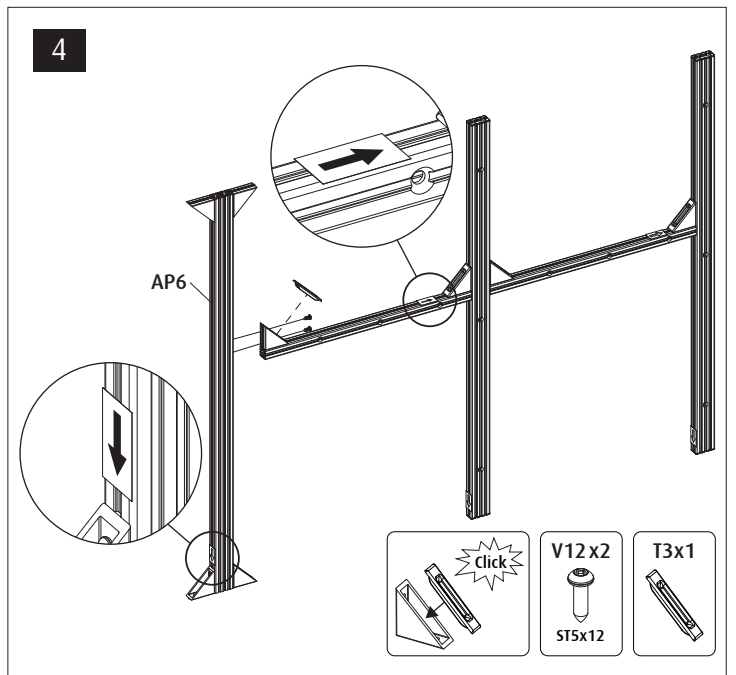
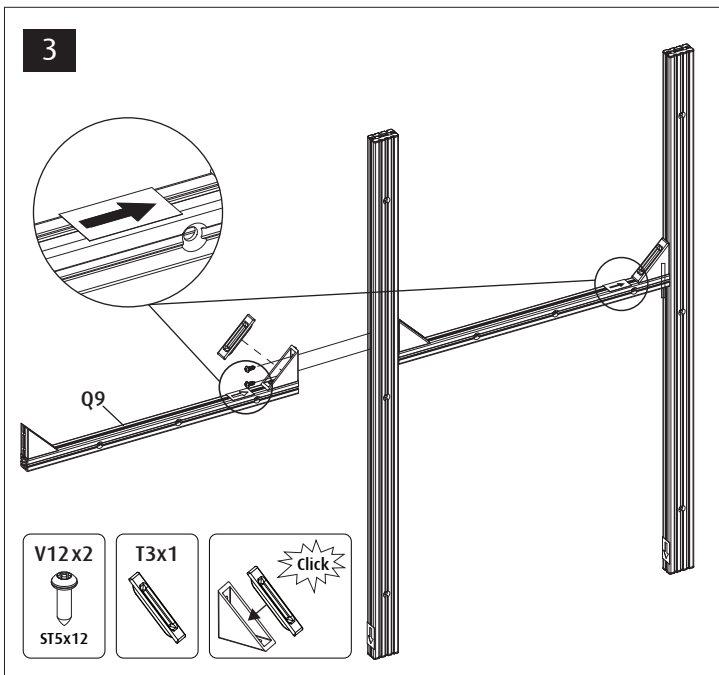
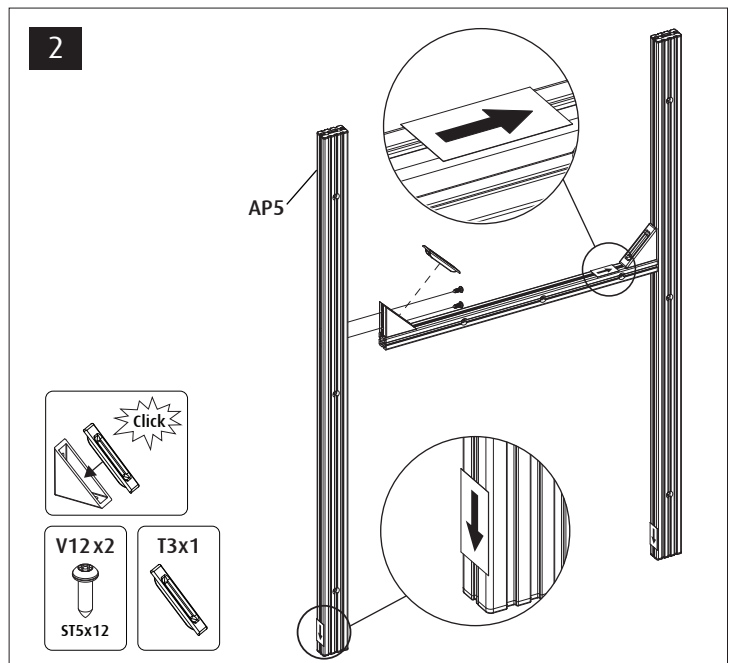
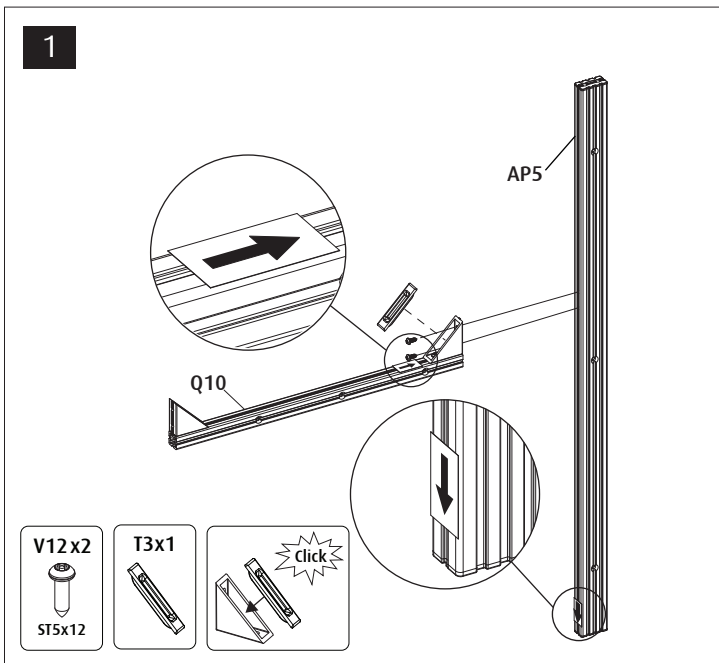
- FR** Montage des portes Accès à gauche
- DE** Linke Seite Türeinbau
- CH** 左侧门板安装
- JP** 左側フロー 組み立て方



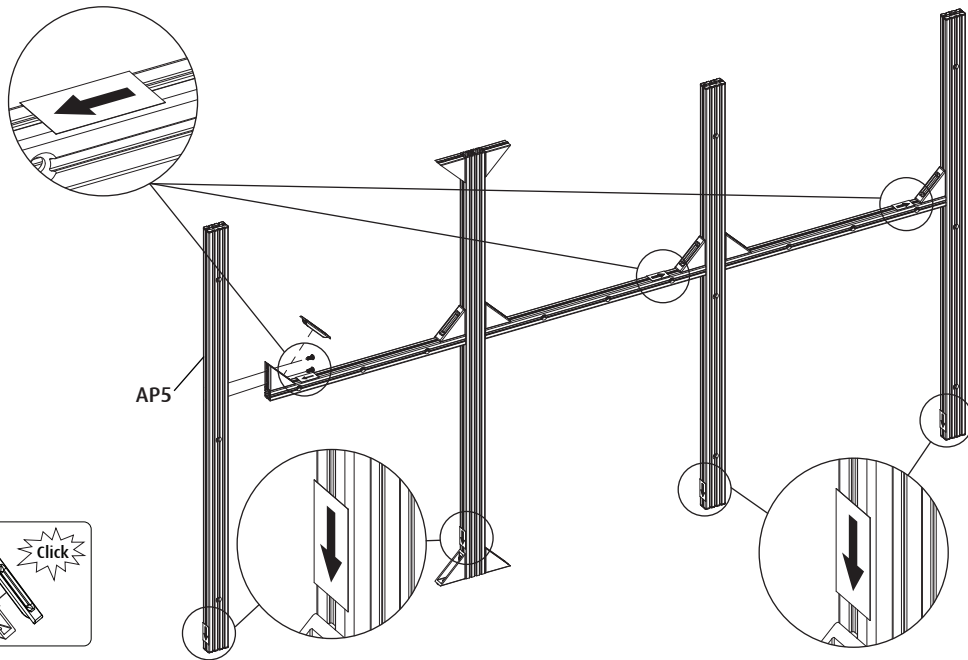
## RIGHT-SIDE Door instalation

- FR** Montage des portes Accès à droite
- DE** Rechte Seite Türeinbau
- CH** 右侧门板安装
- JP** 右側フロー 組み立て方





6



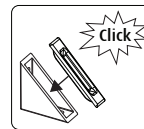
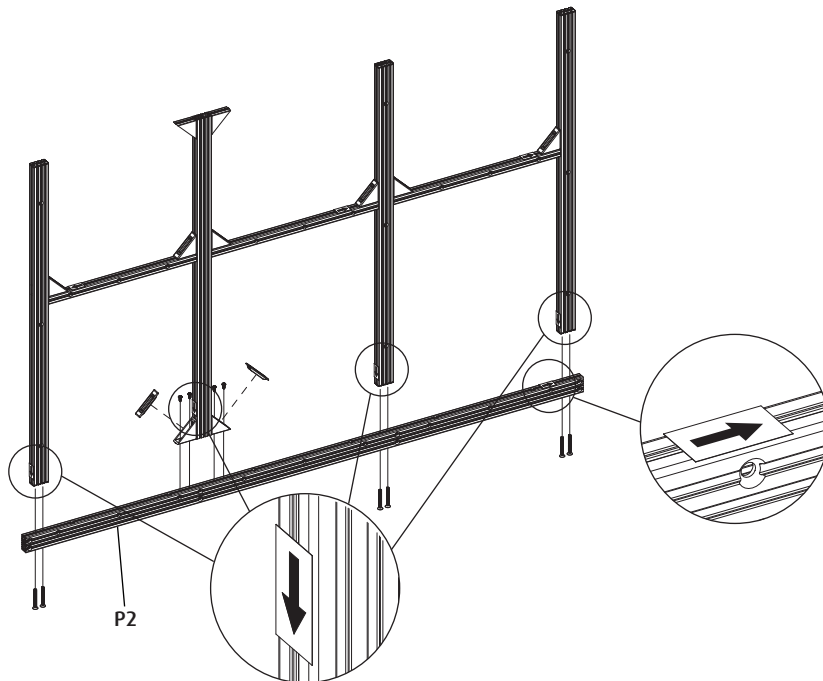
V12 x2



T3x1



7



T3x2



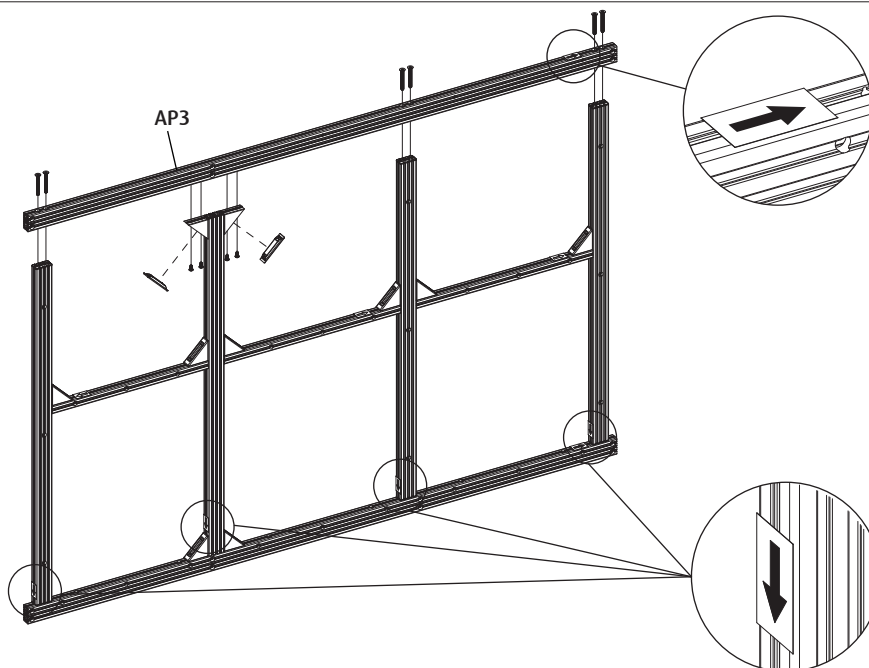
V13x6



V12 x4



8



T3x2

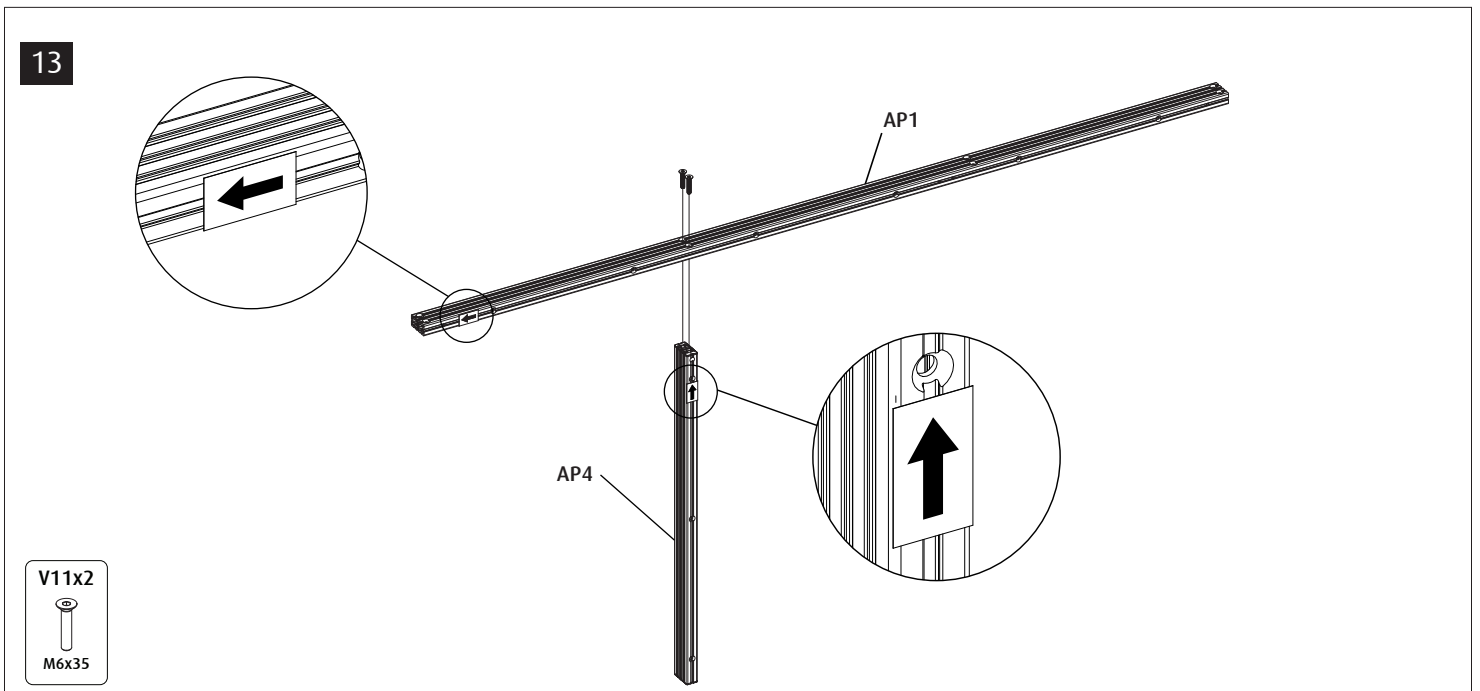
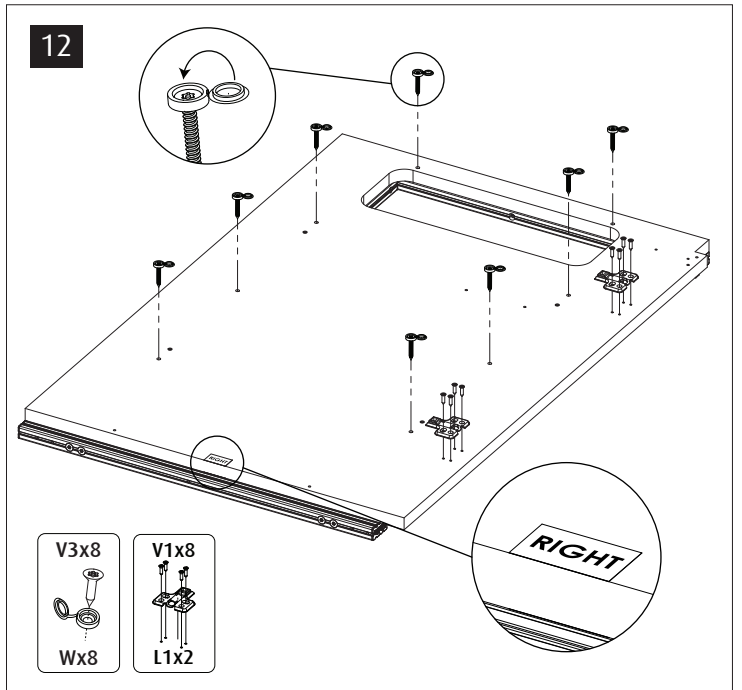
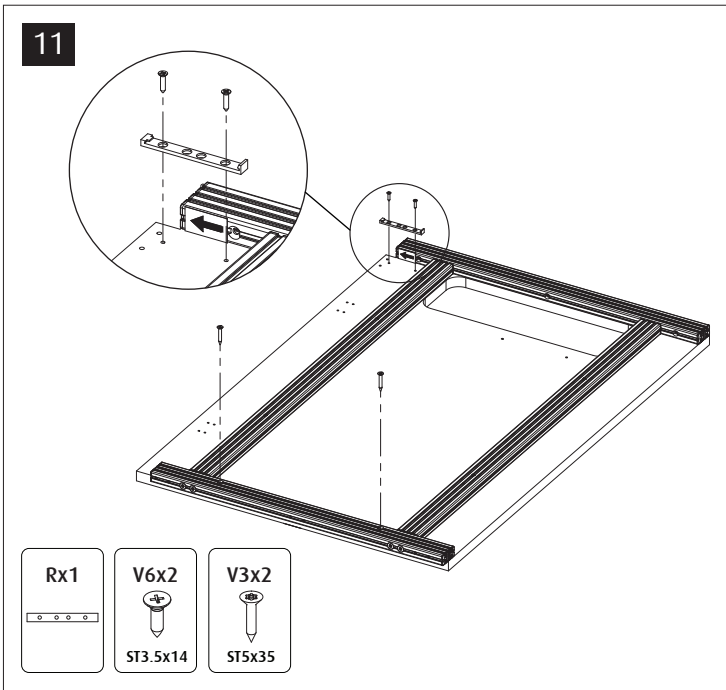
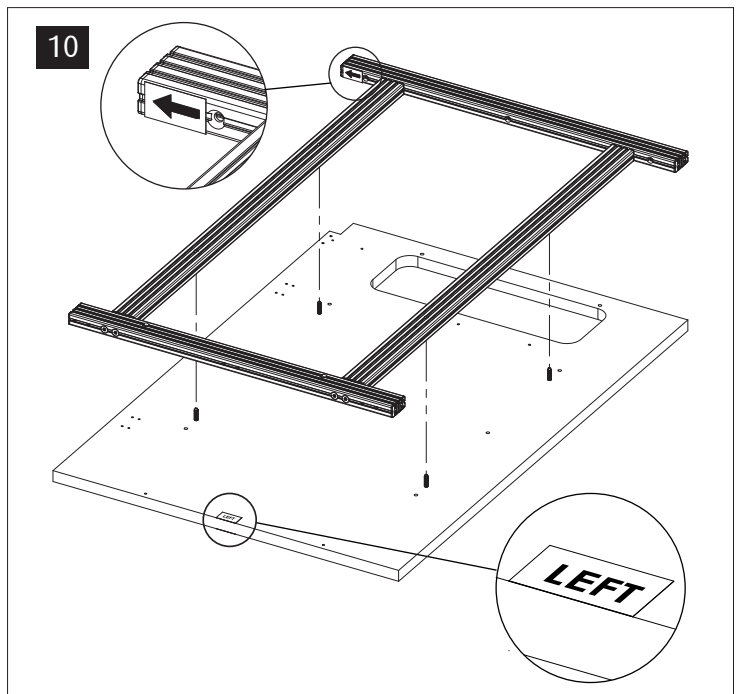
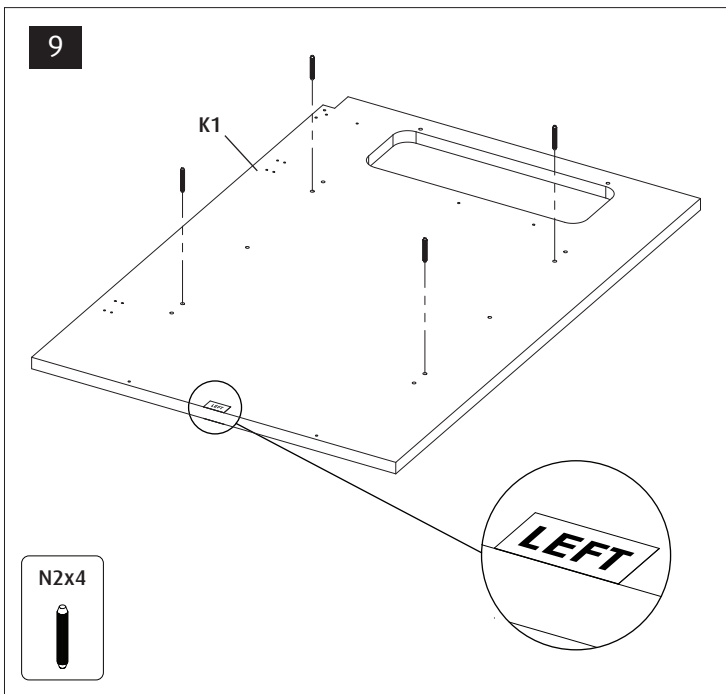


V13x6

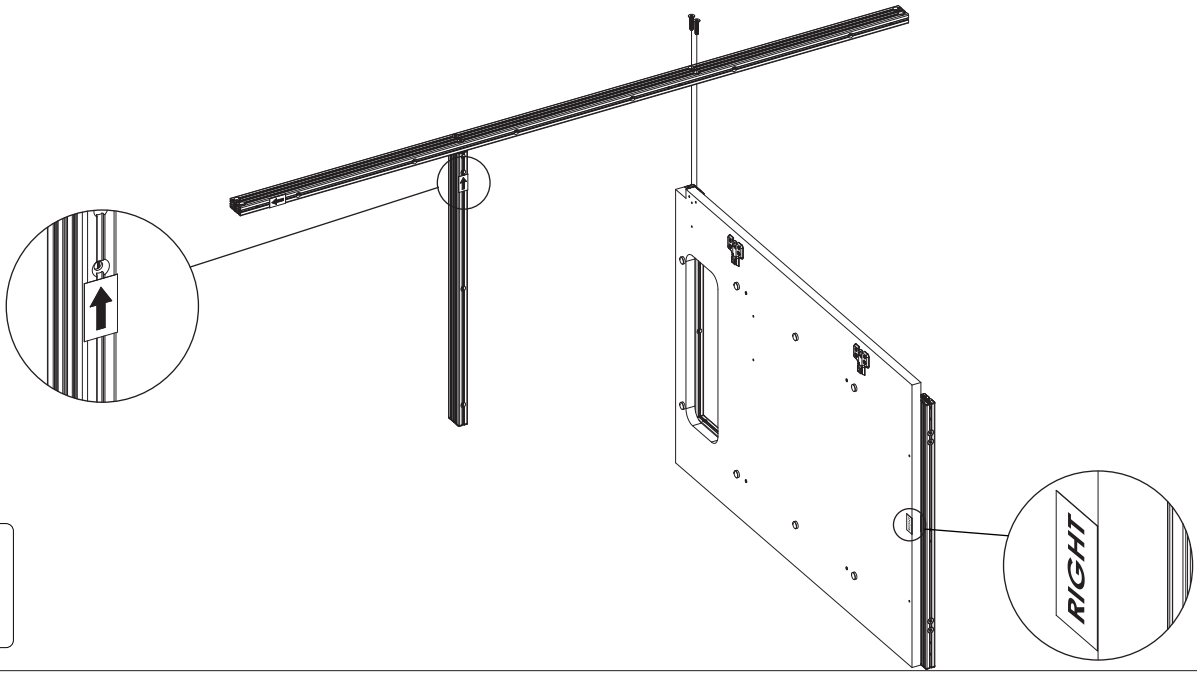


V12 x4



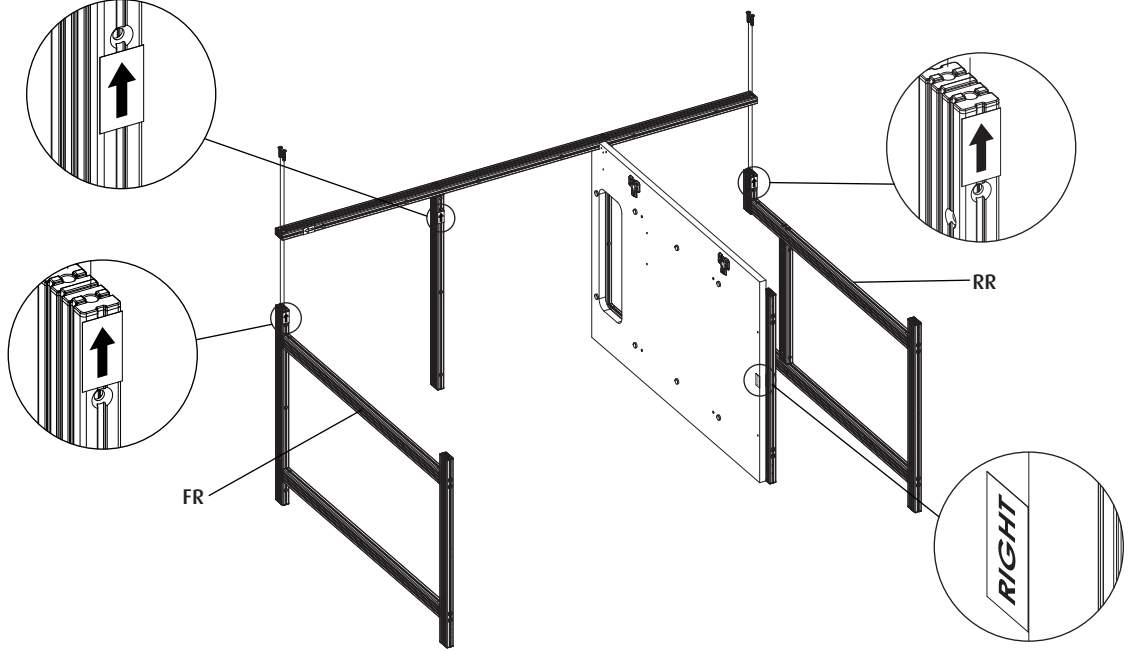


14



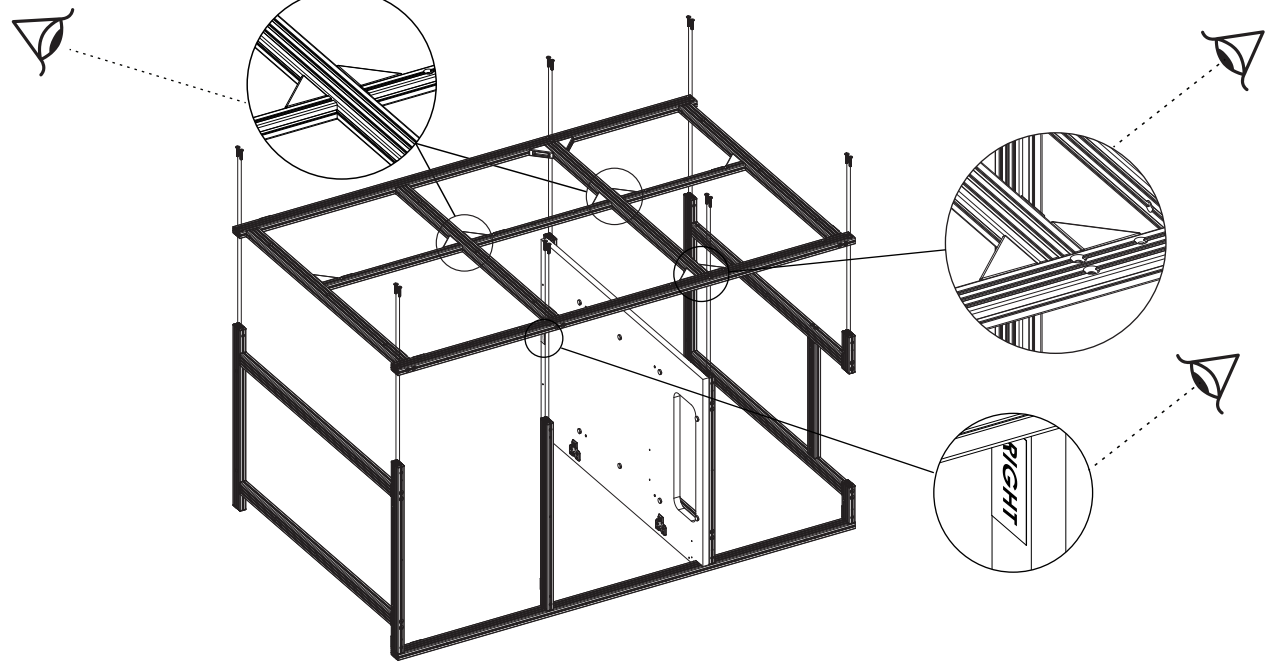
V11x2  
  
 M6x35

15



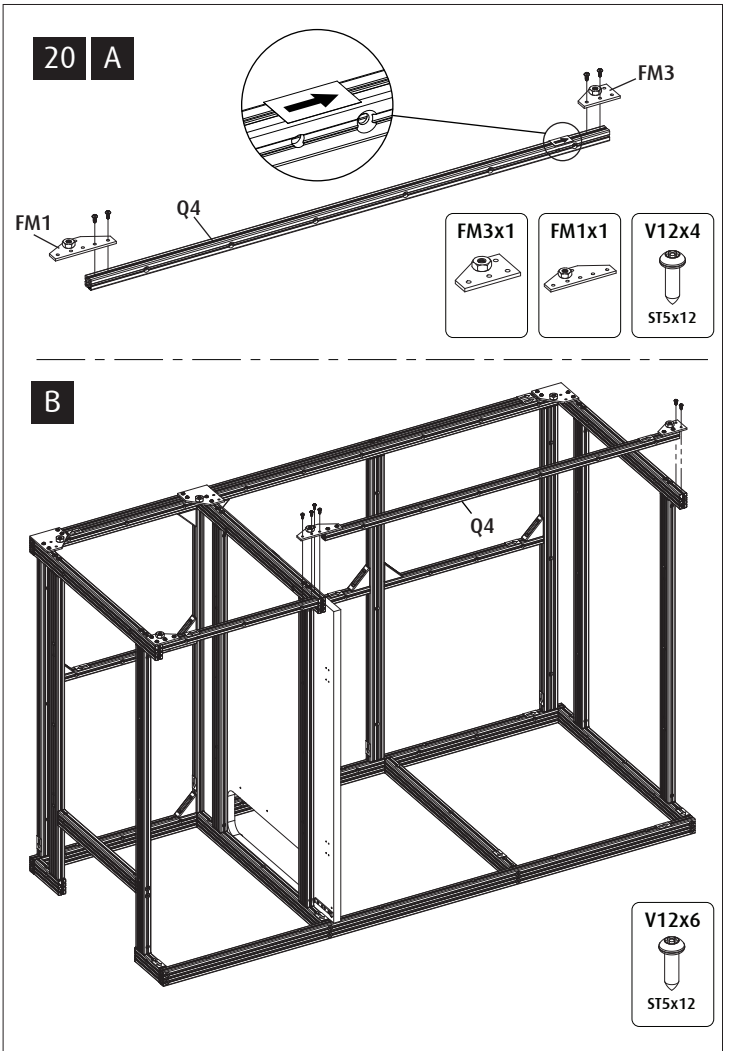
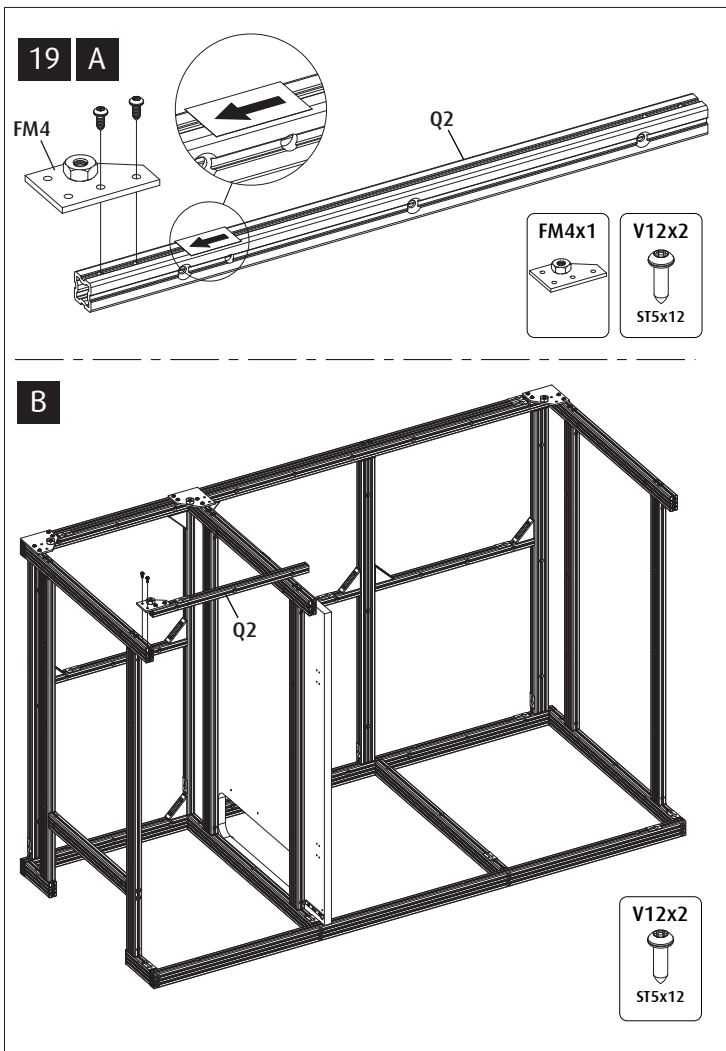
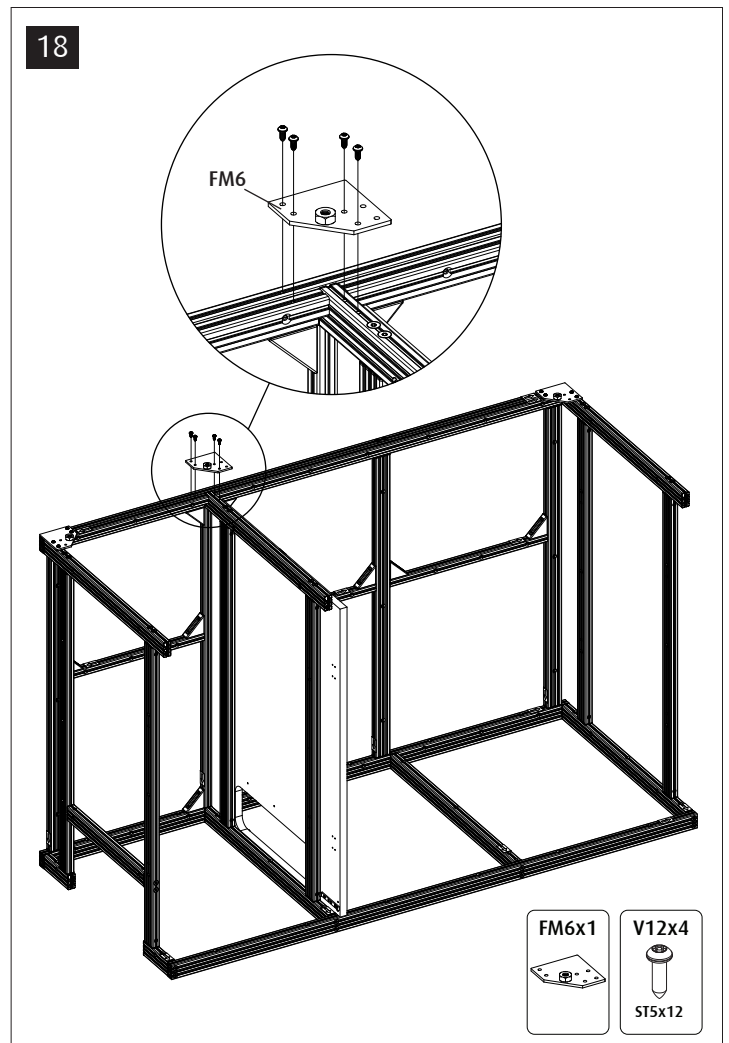
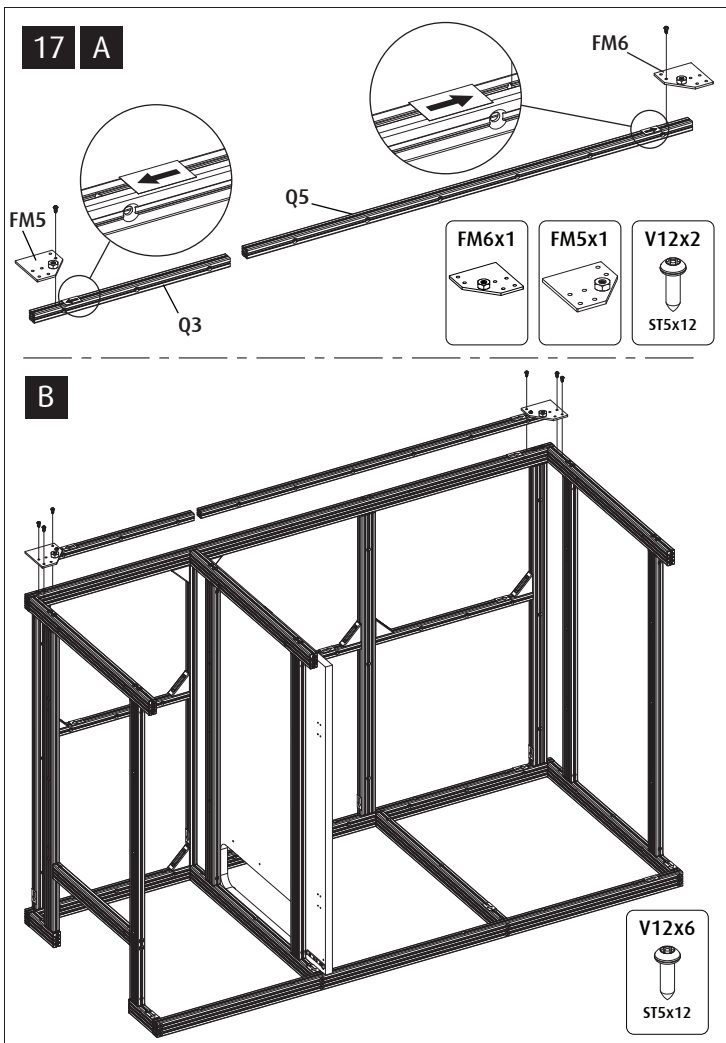
V11x4  
  
 M6x35

16



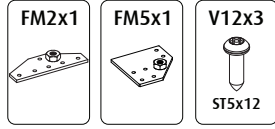
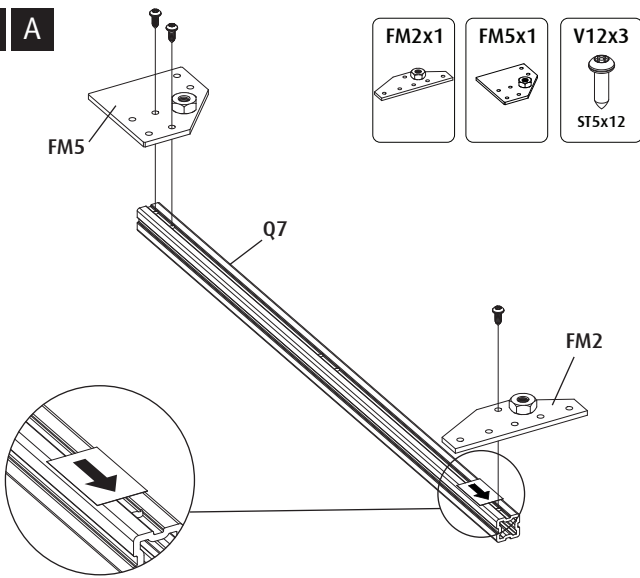
V11x14  
  
 M6x35



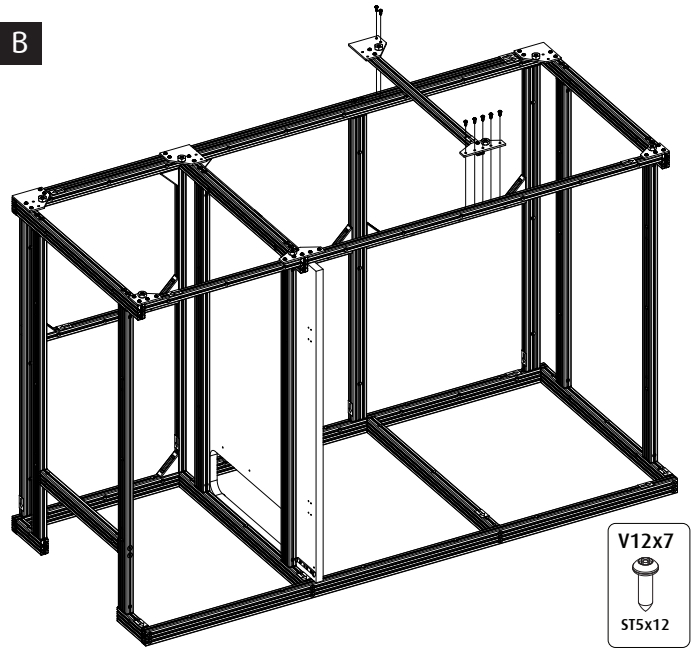




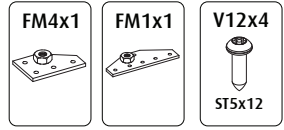
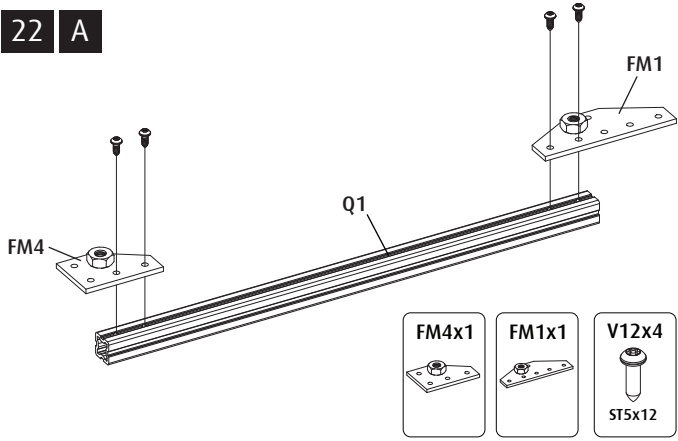
21 A



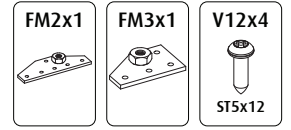
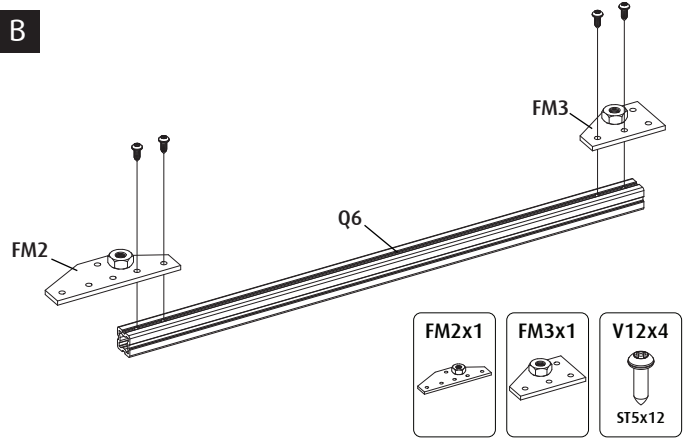
B



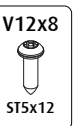
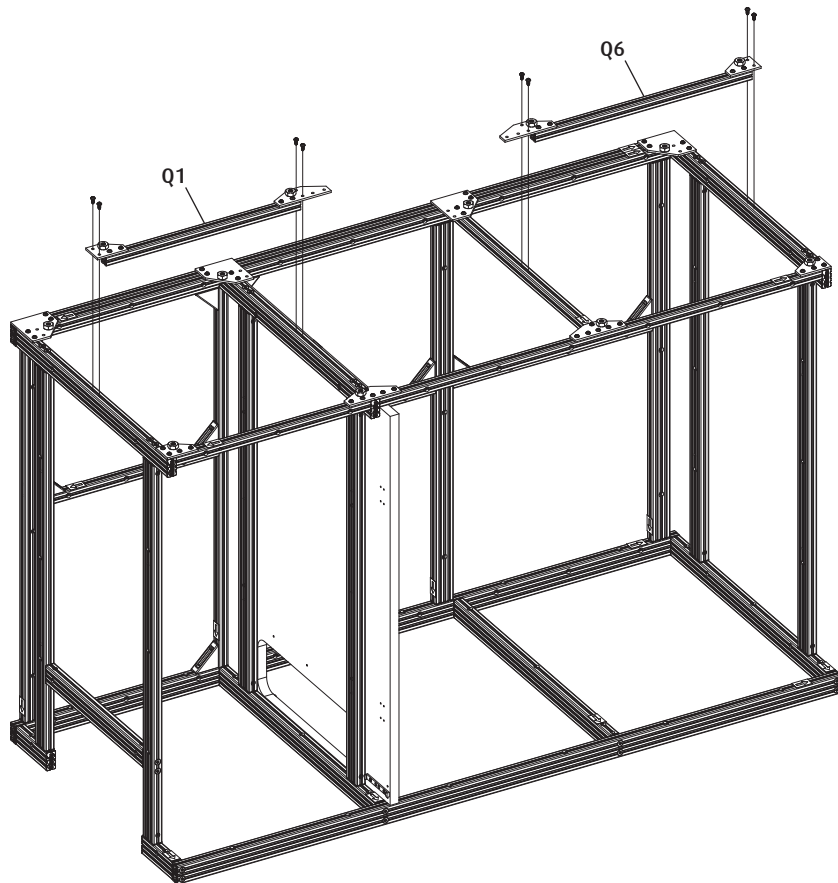
22 A



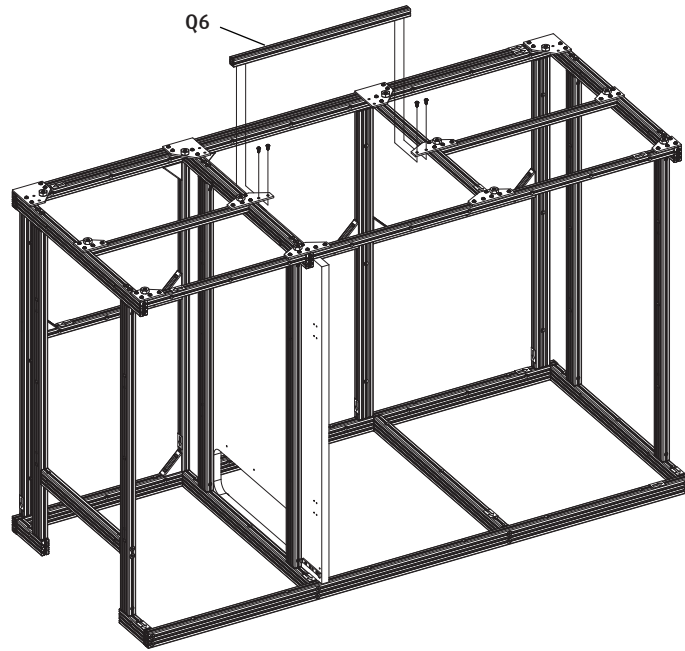
B



C



23

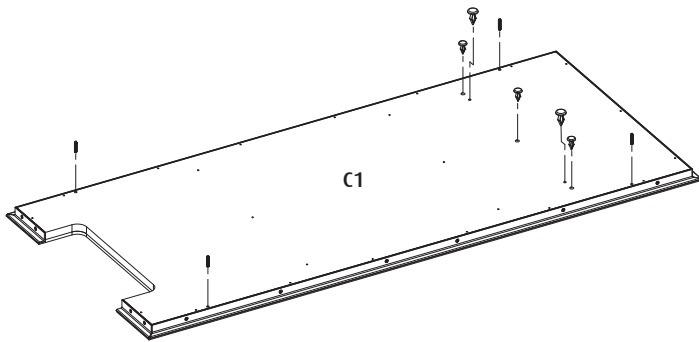


V12x4



ST5x12

24



N1x4



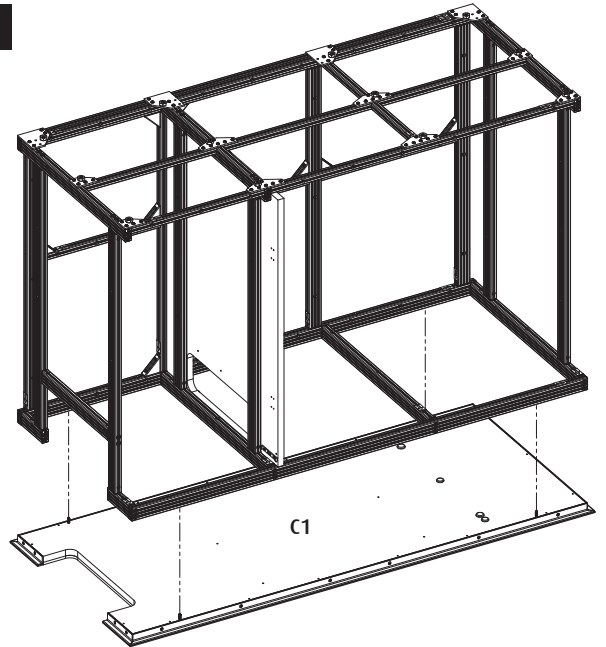
F1x2



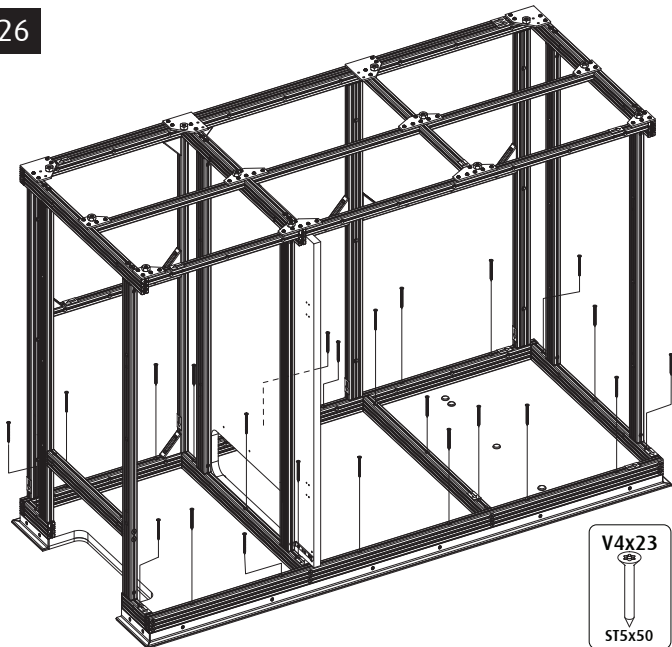
F2x3



25



26

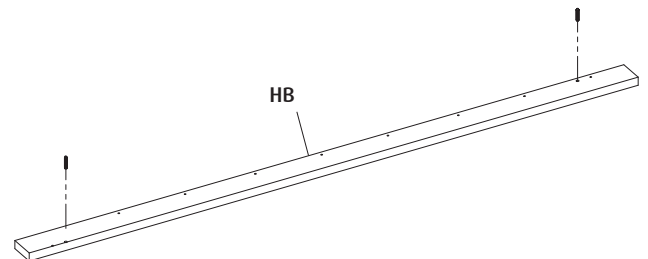


V4x23



ST5x50

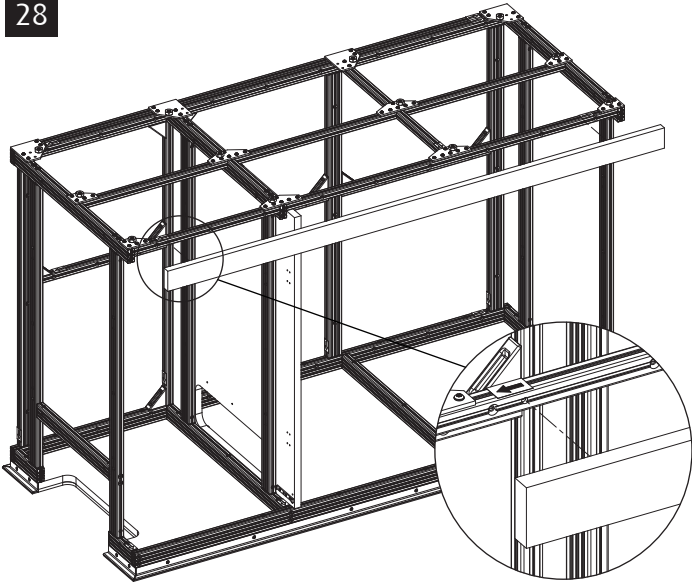
27



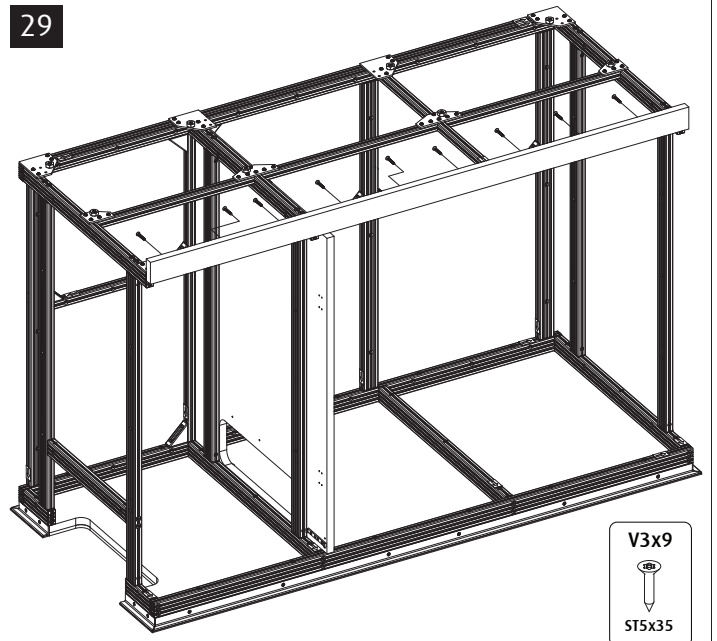
N1x2



28

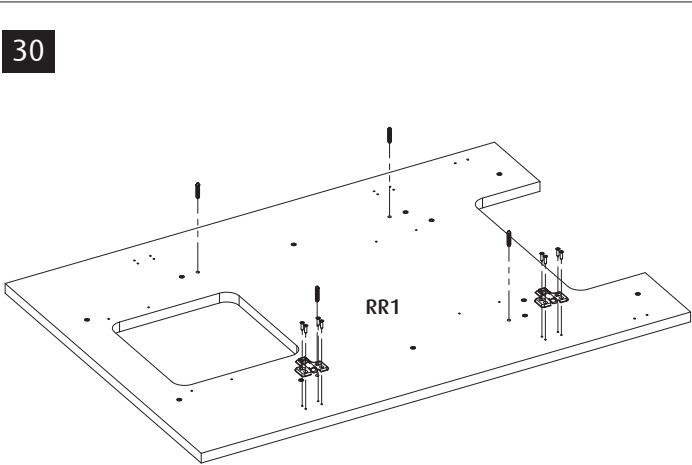



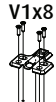
29



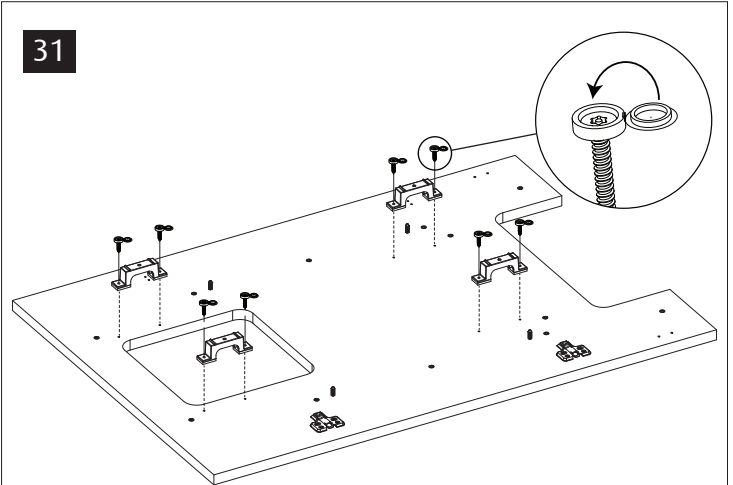
V3x9  
  
 ST5x35

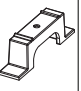

30



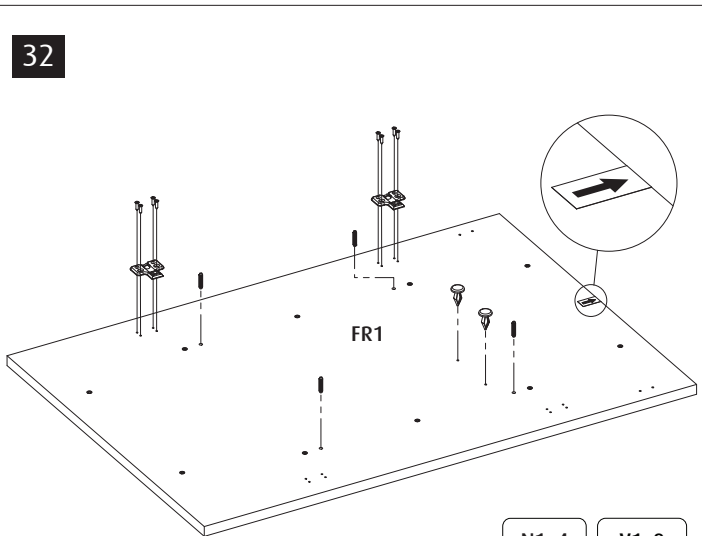
N1x4  
  
 V1x8  
  
 L1x2




31



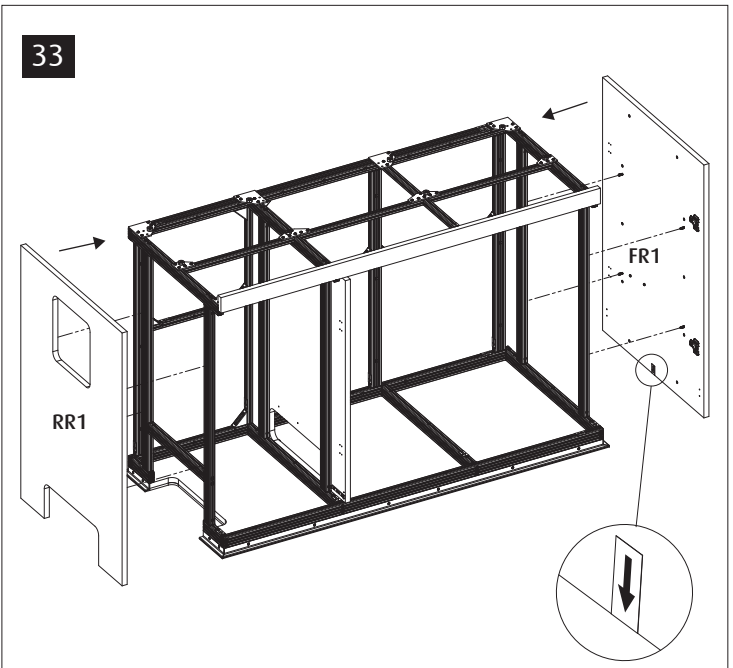
UX4  
  
 V18x8  
  
 Wx8

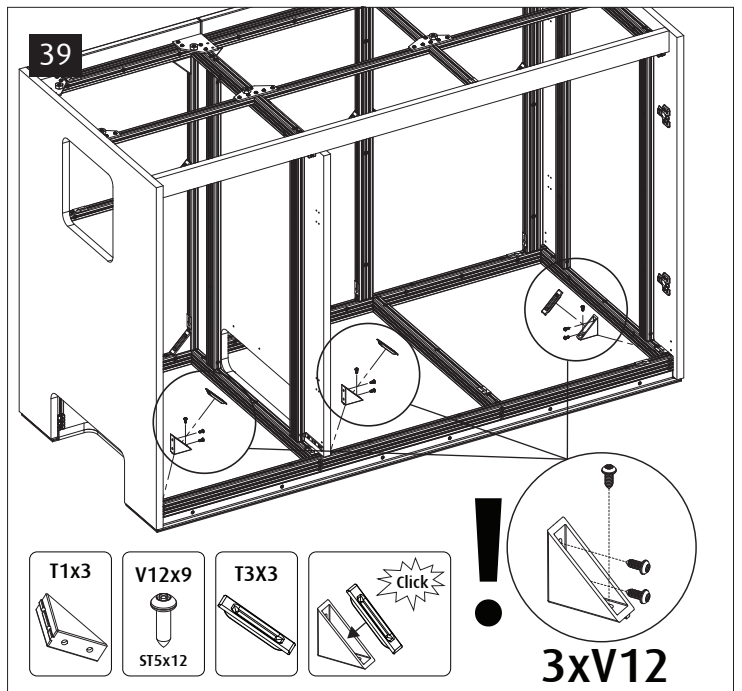
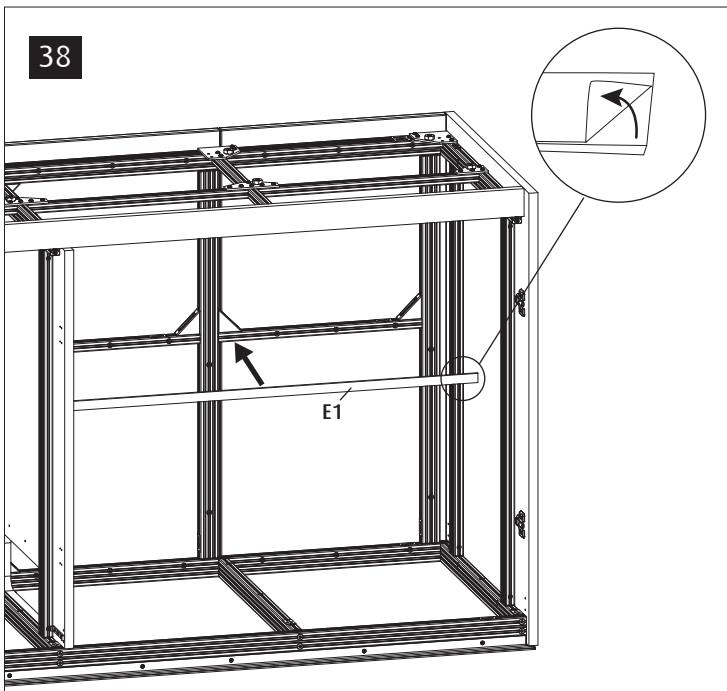
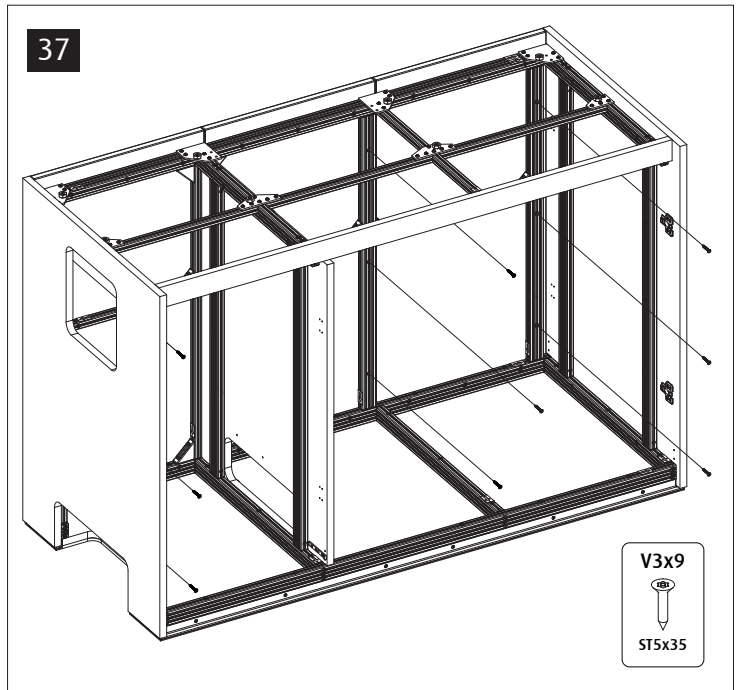
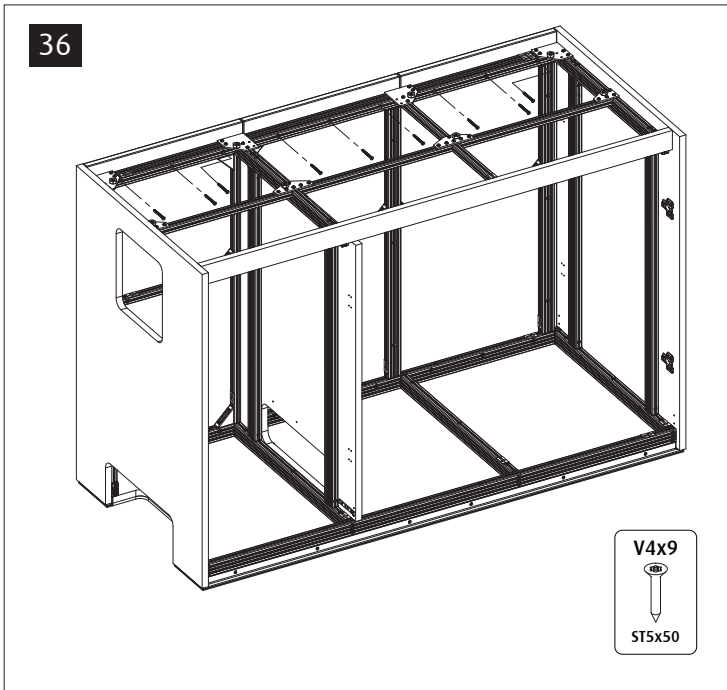
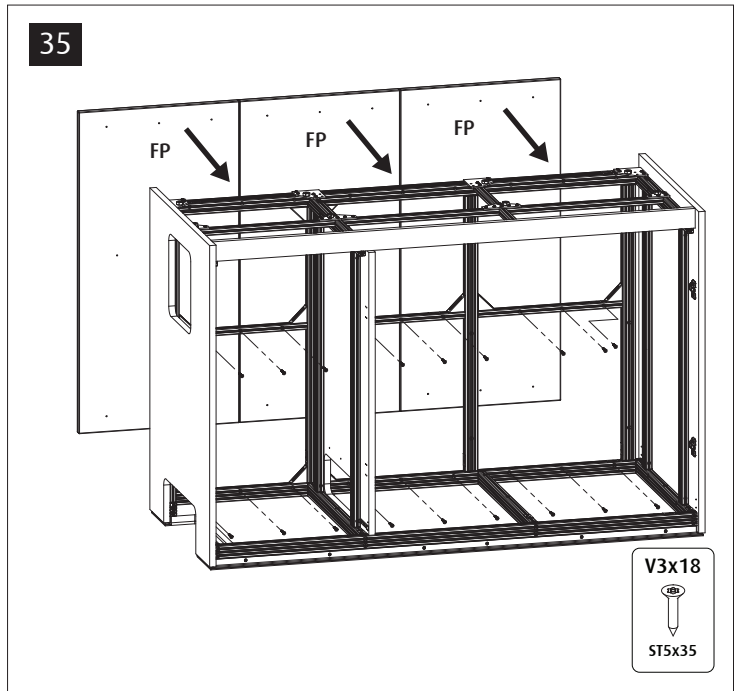
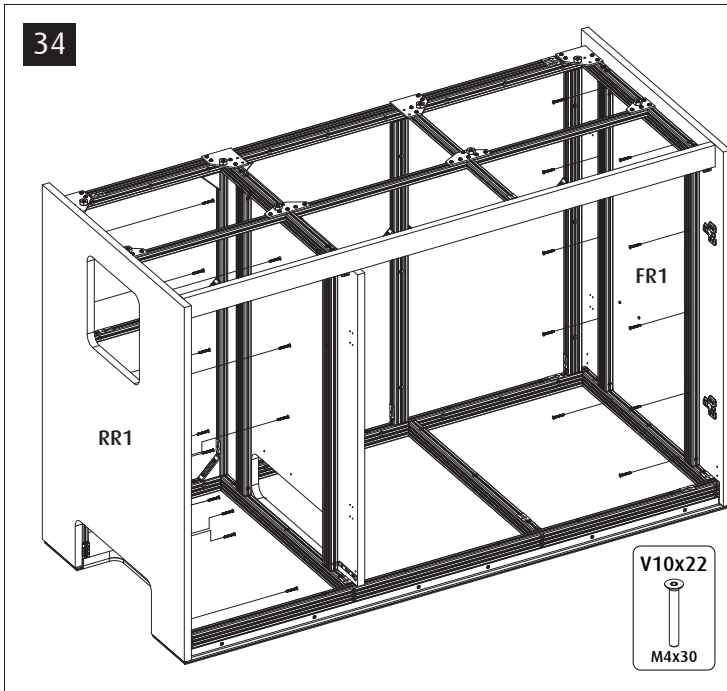
32



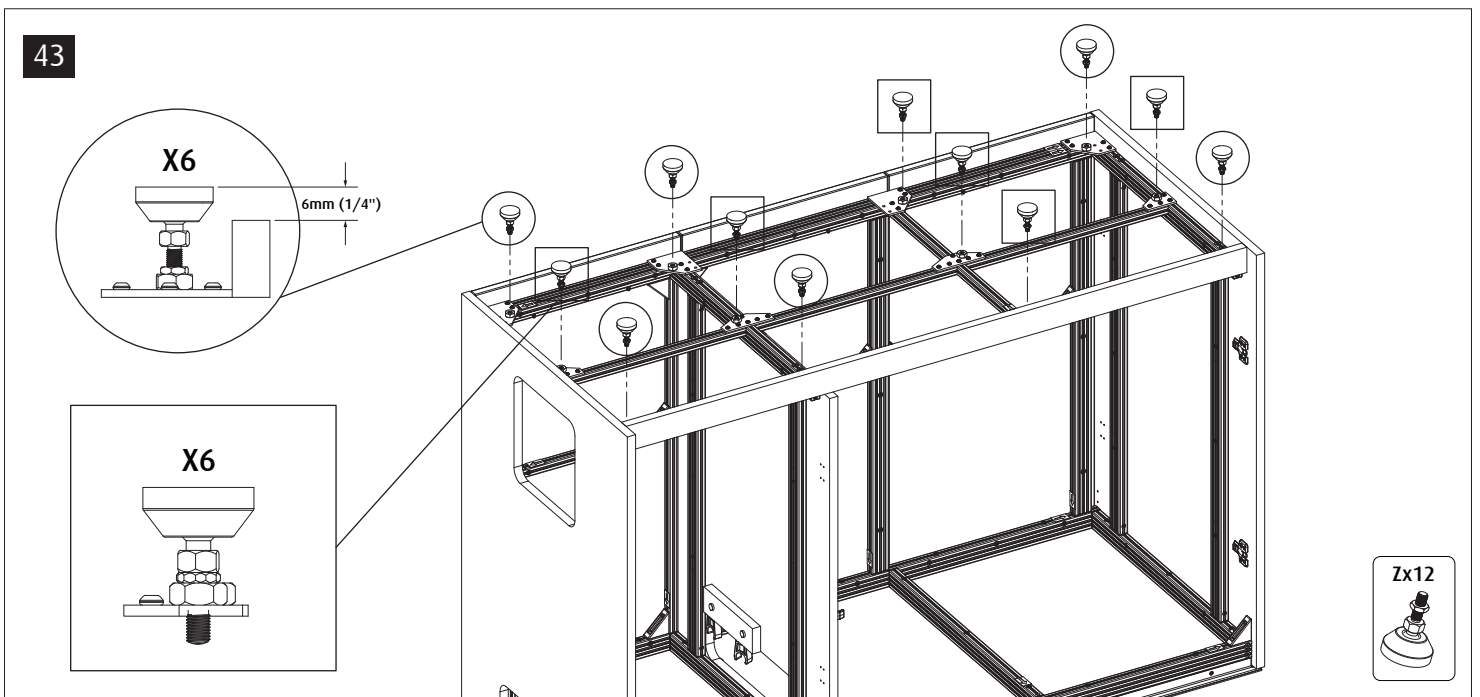
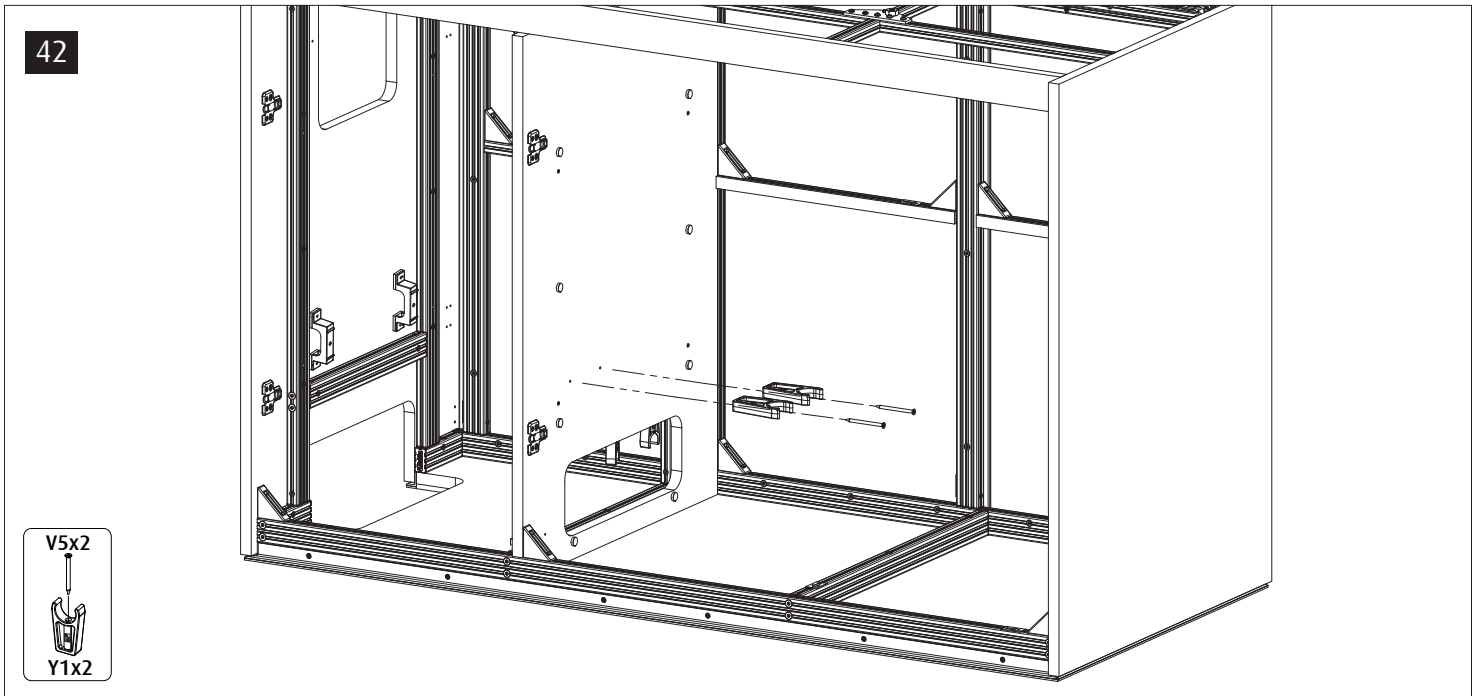
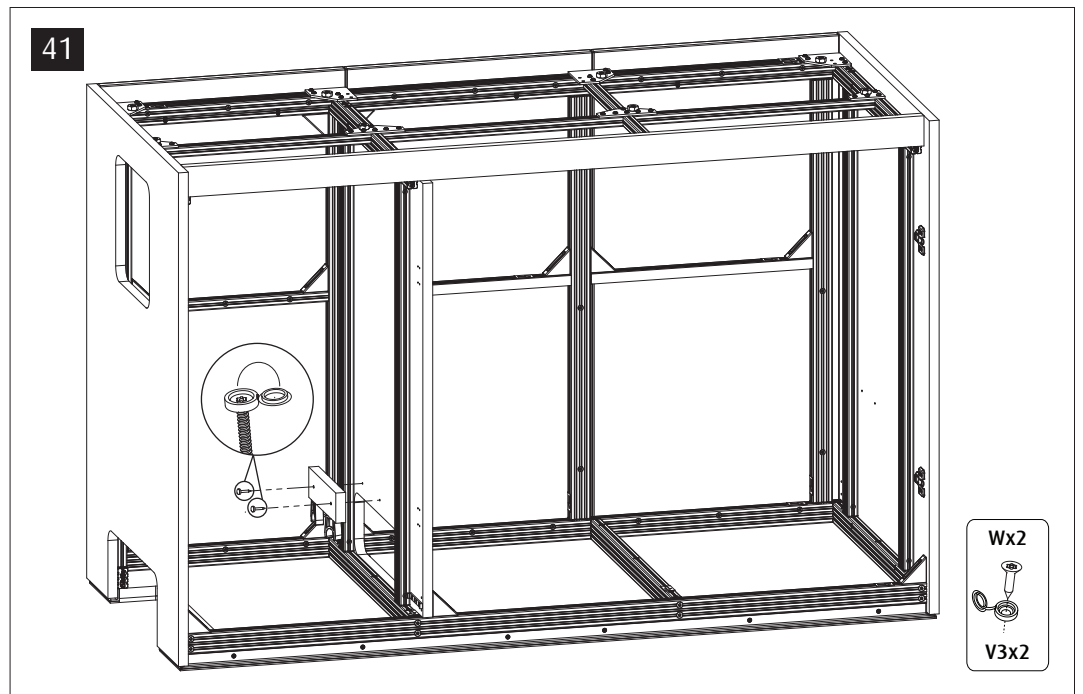
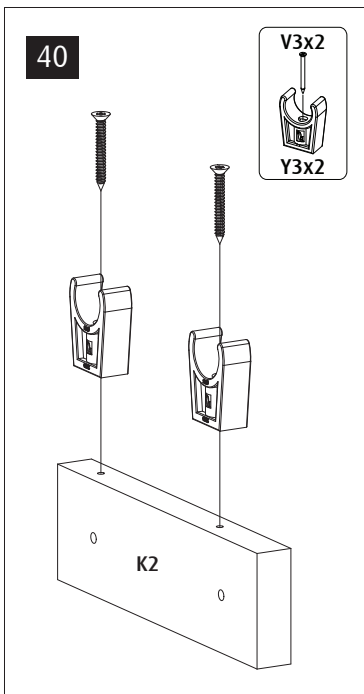
F3x2  
  
 N1x4  
  
 V1x8  
  
 L1x2

33

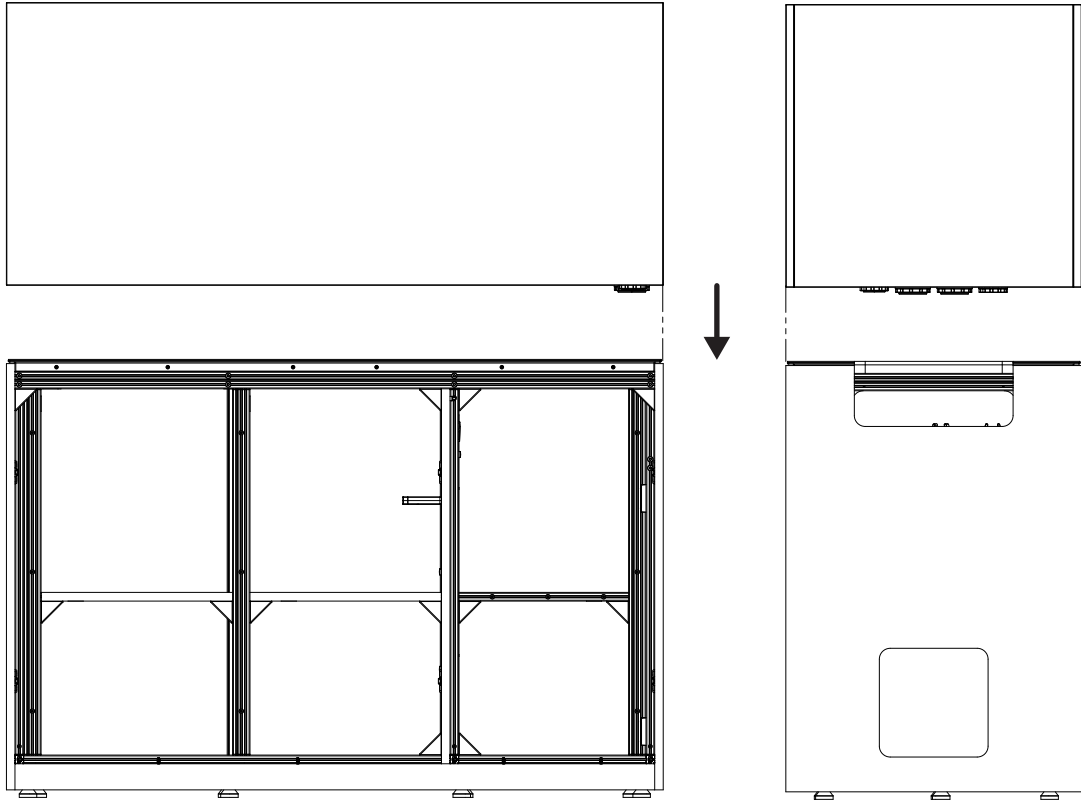






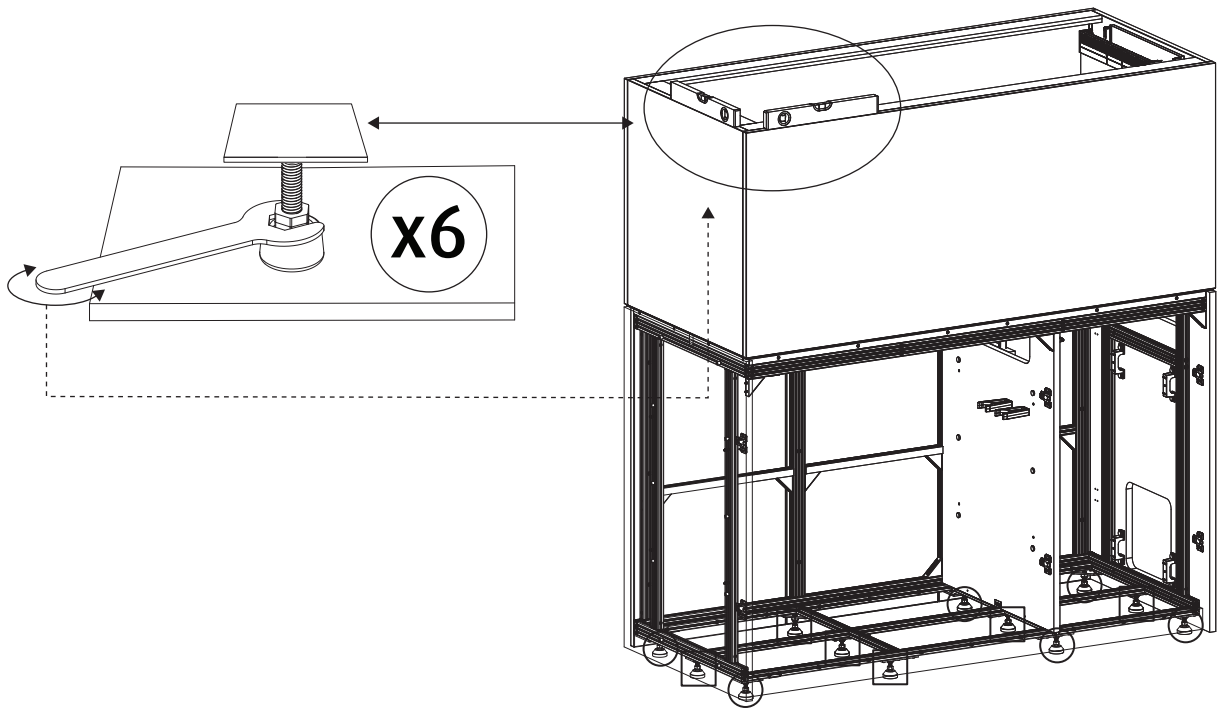


44



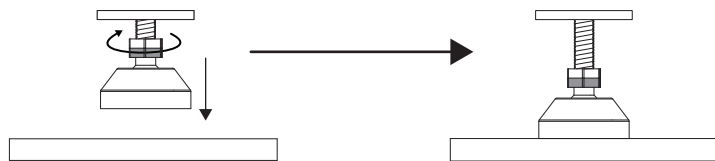
45

A



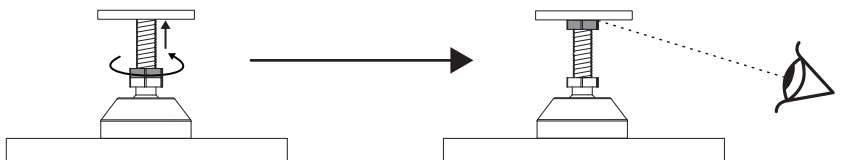
B

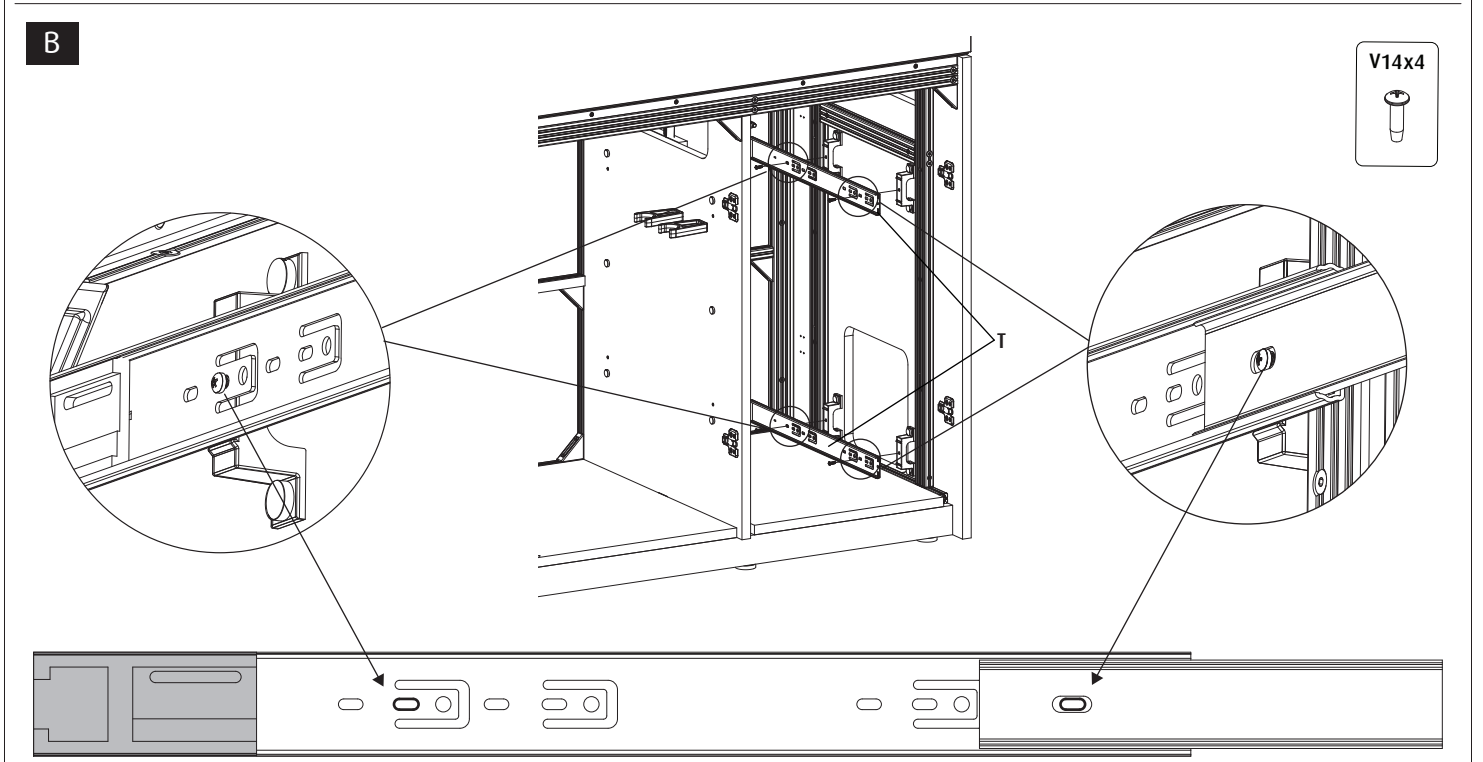
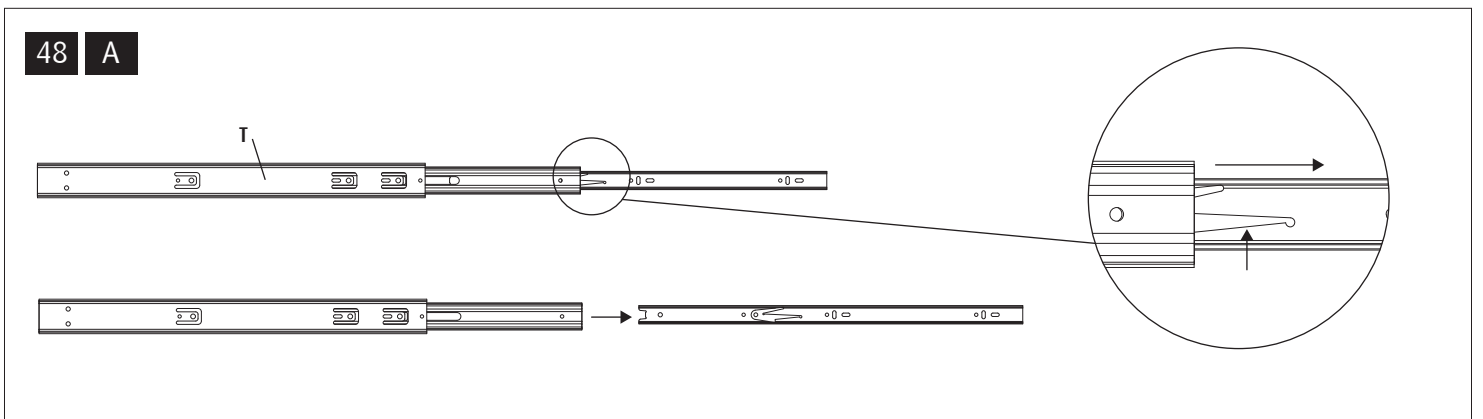
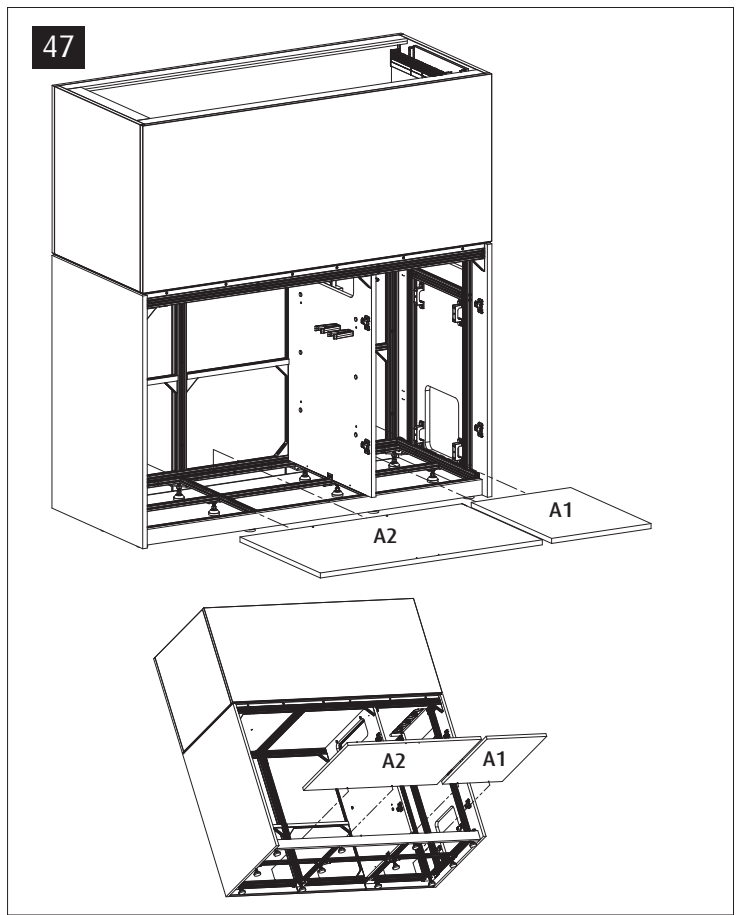
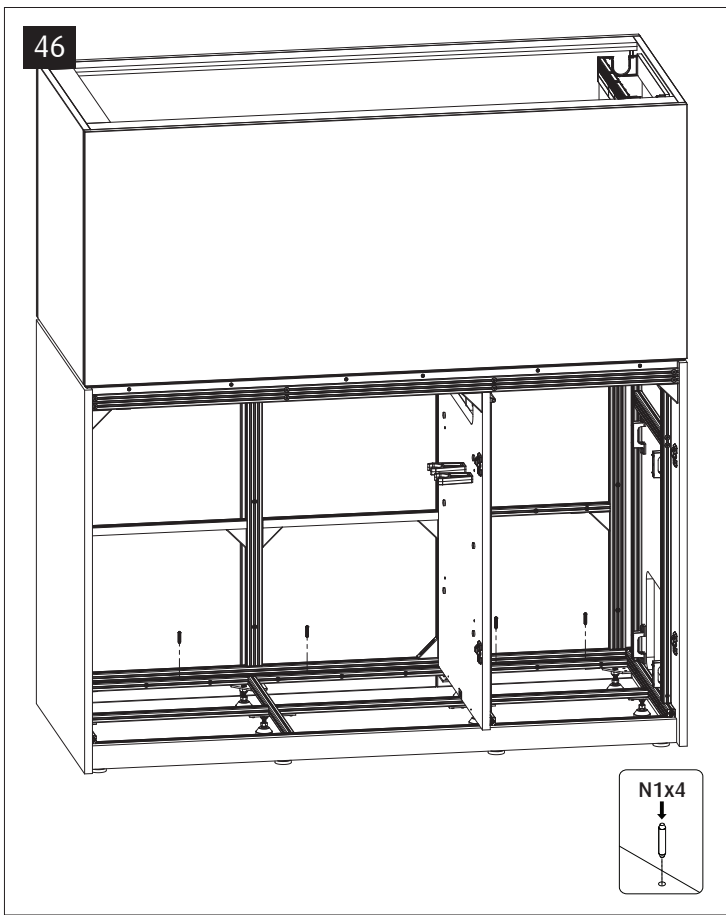
x6



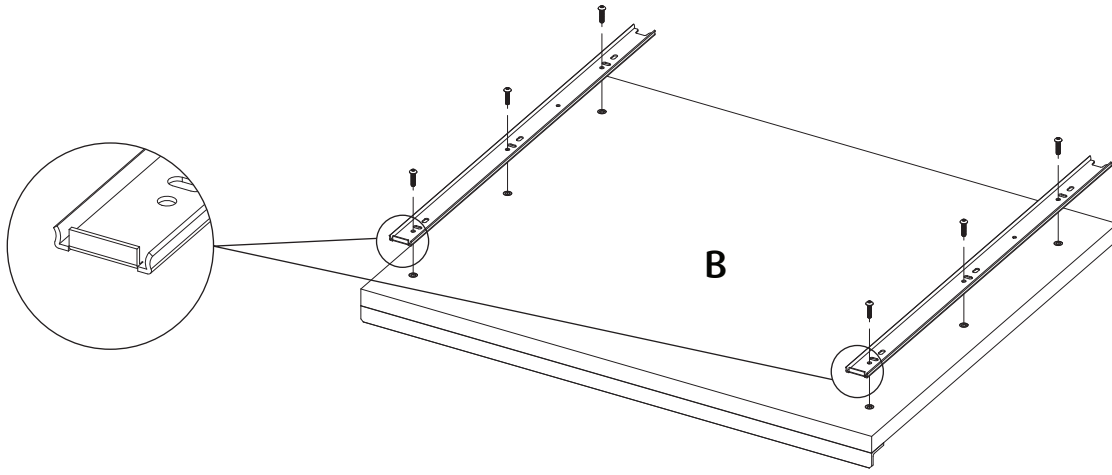
C

x12





49

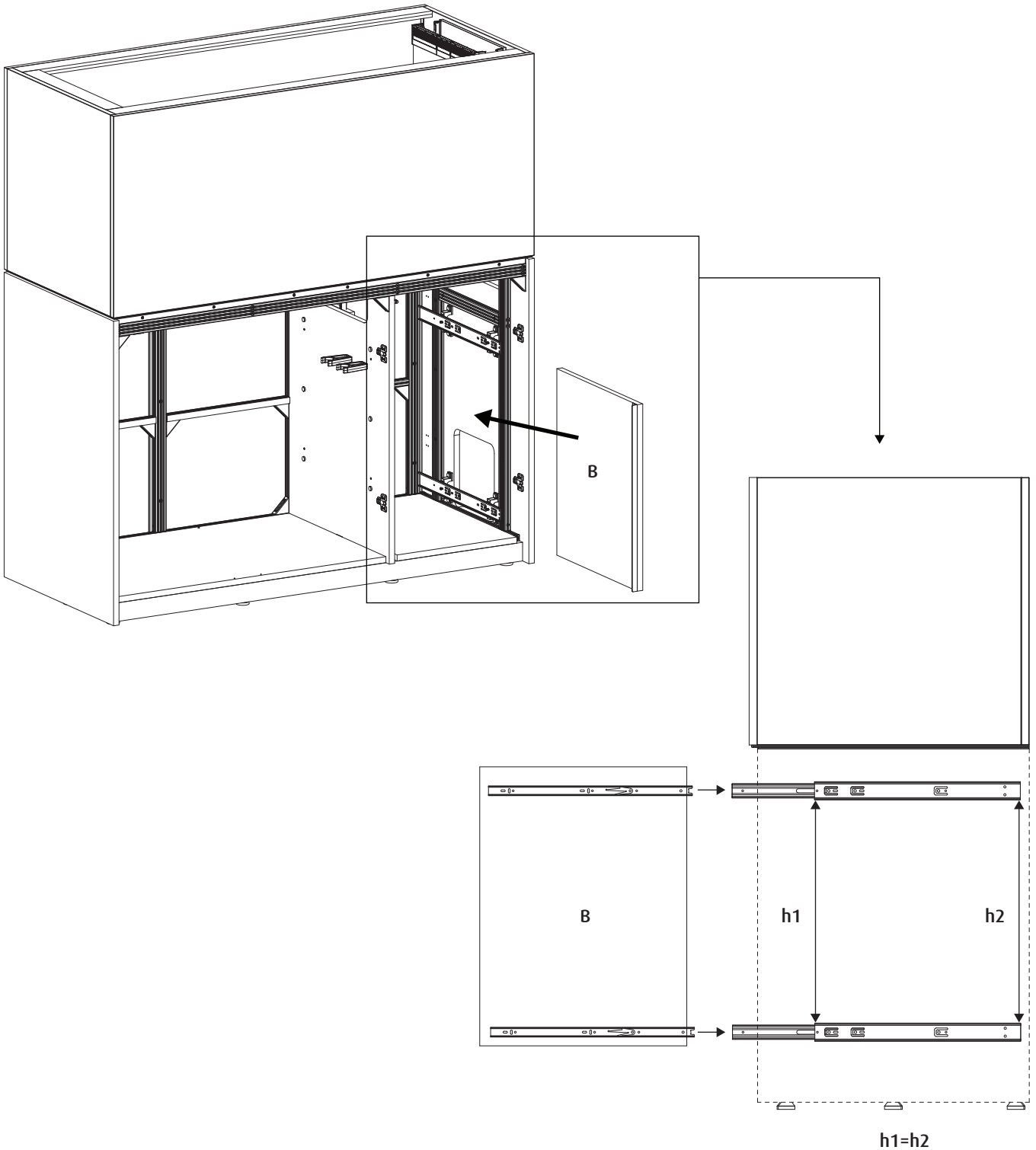


V16x6



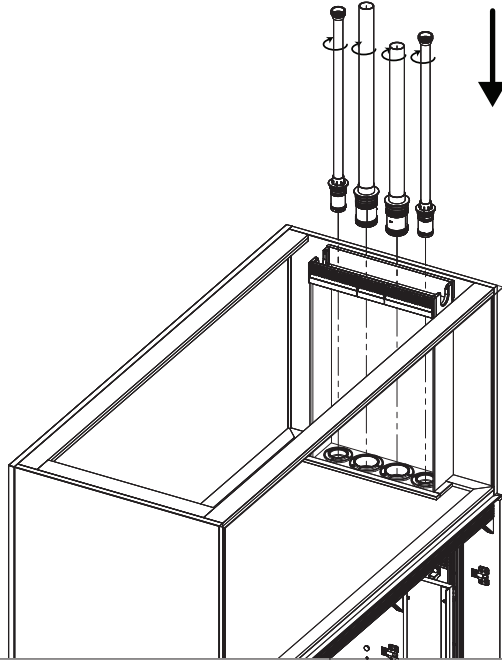
M4x12

50

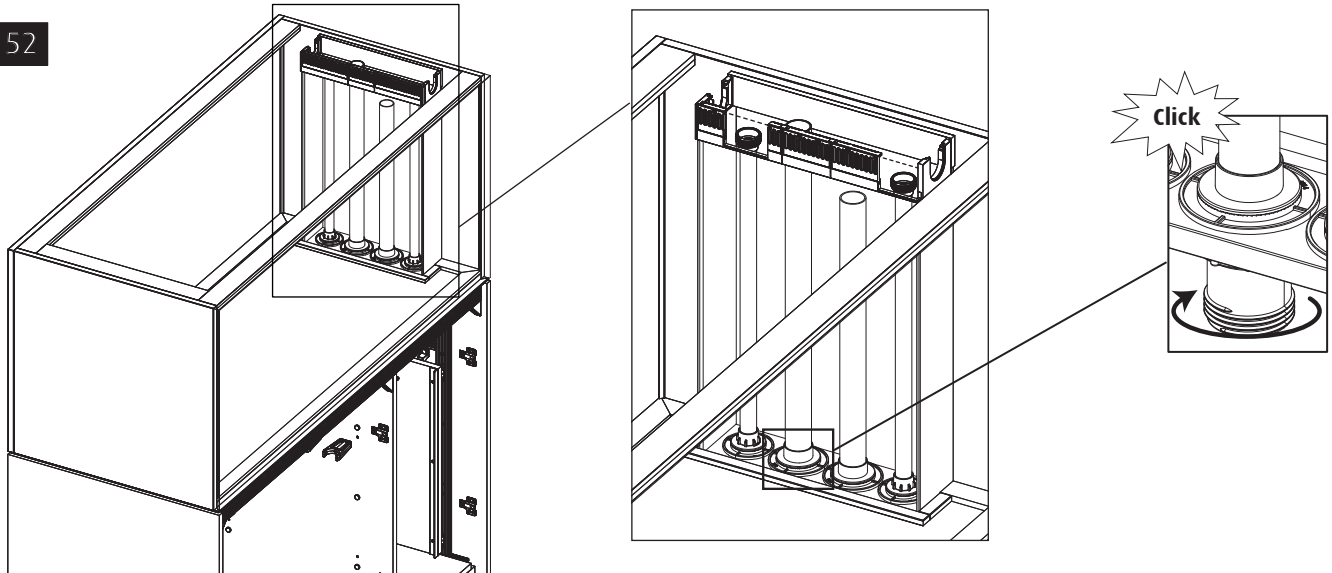




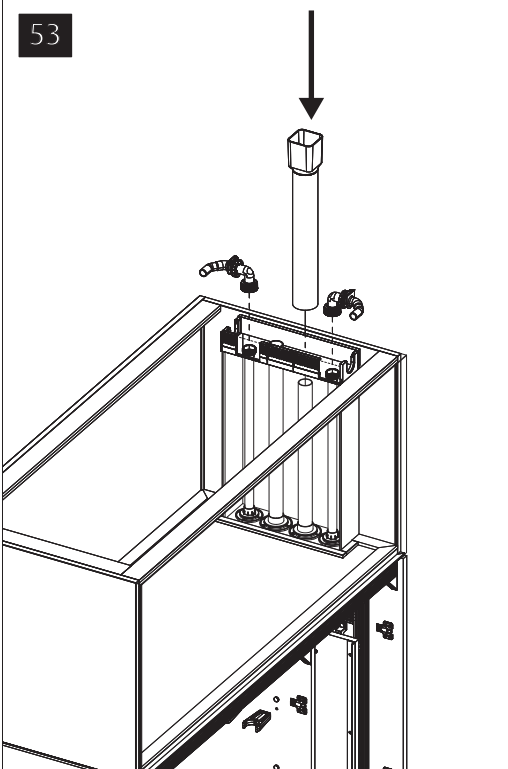
51



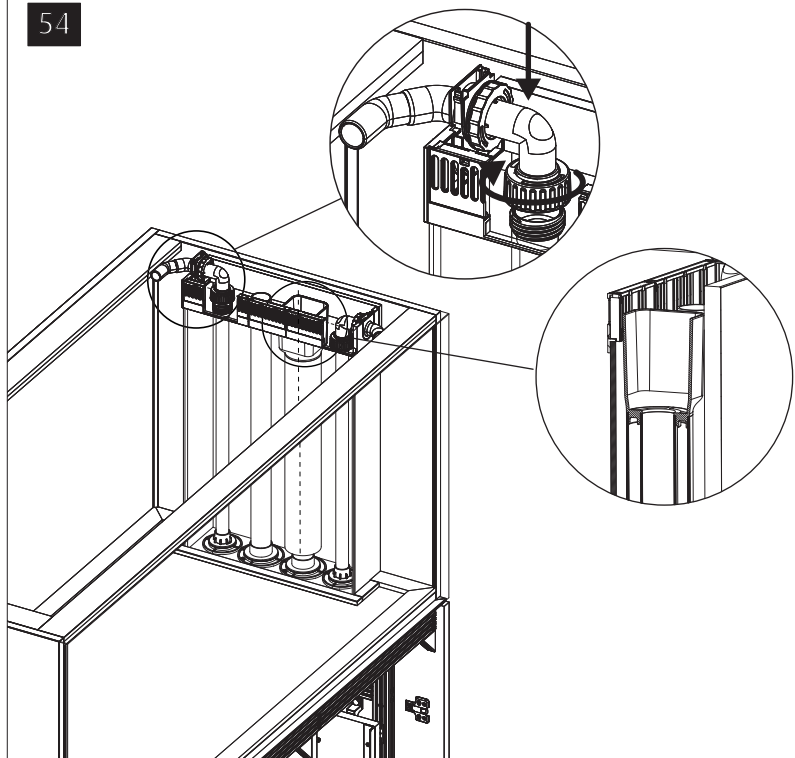
52



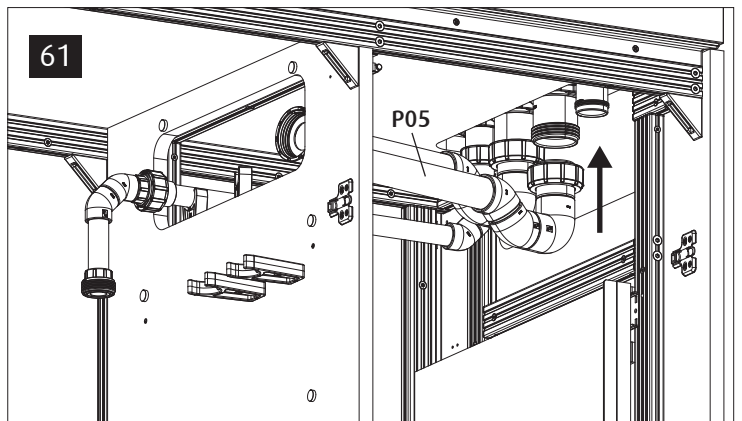
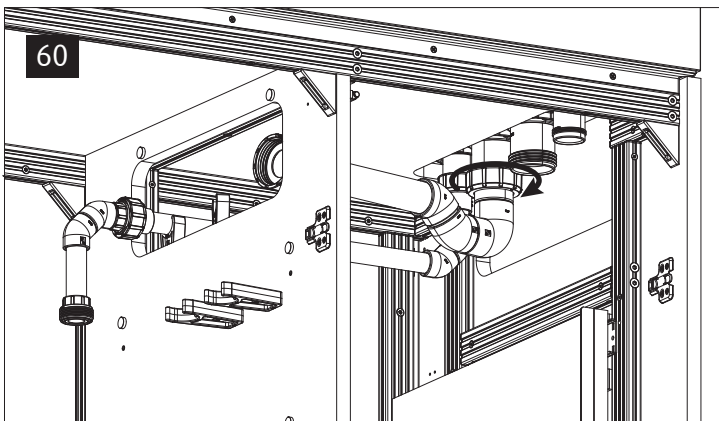
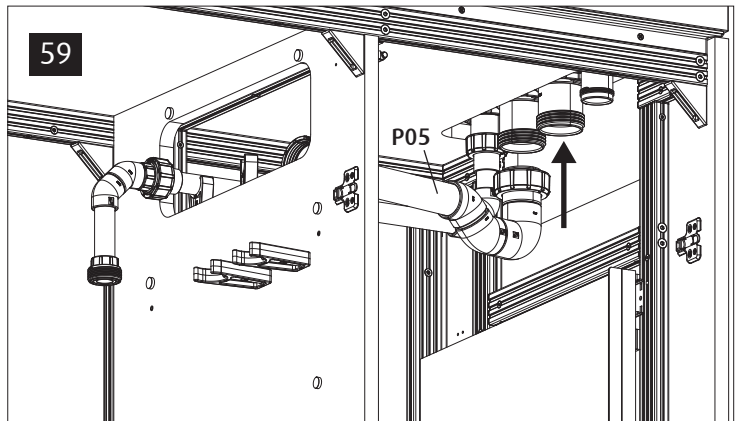
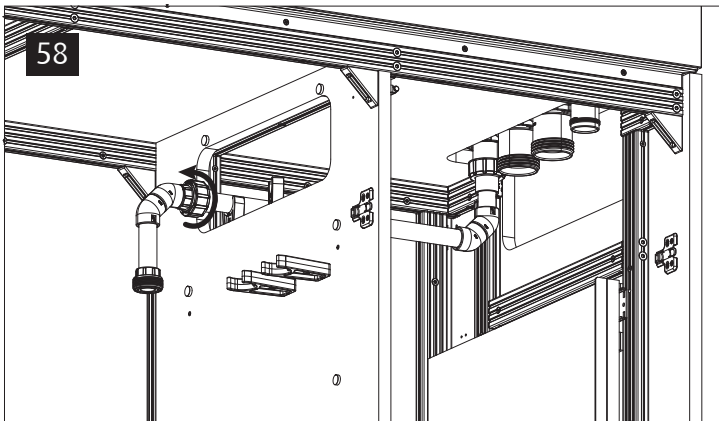
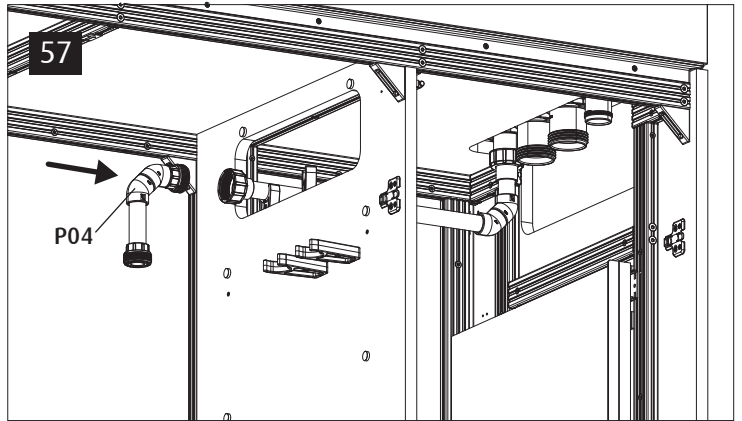
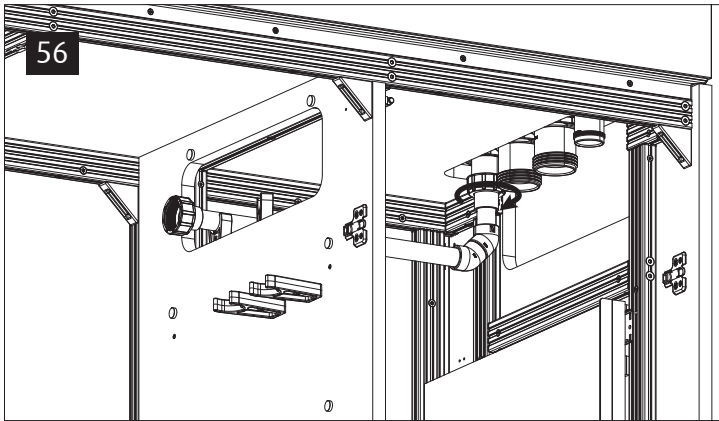
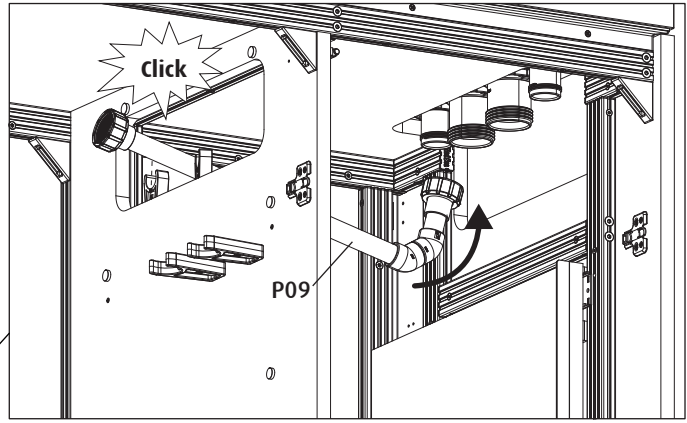
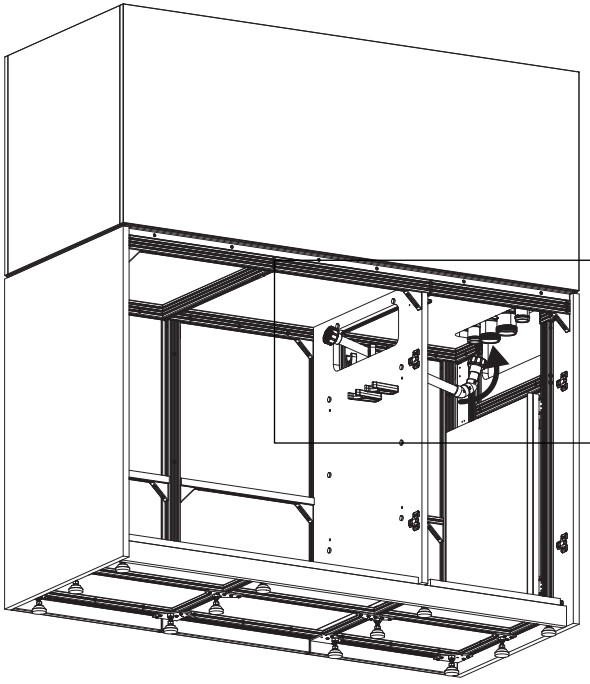
53

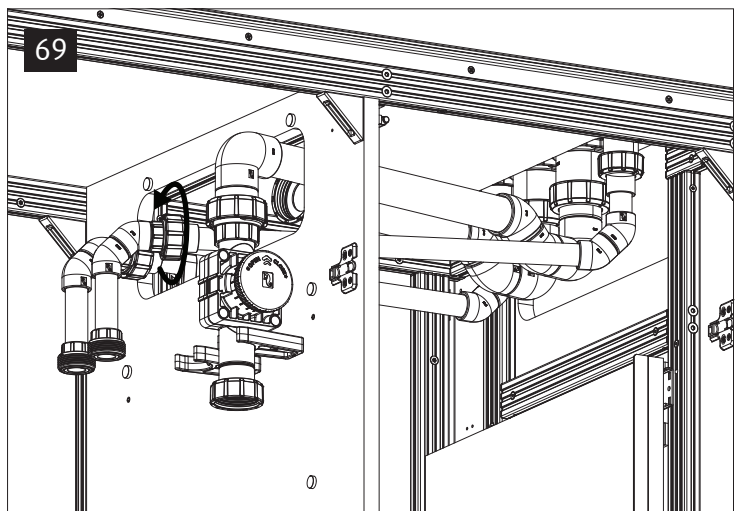
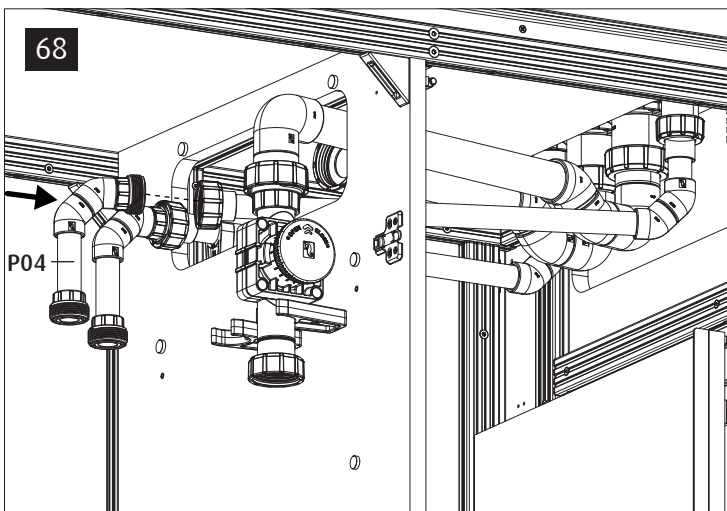
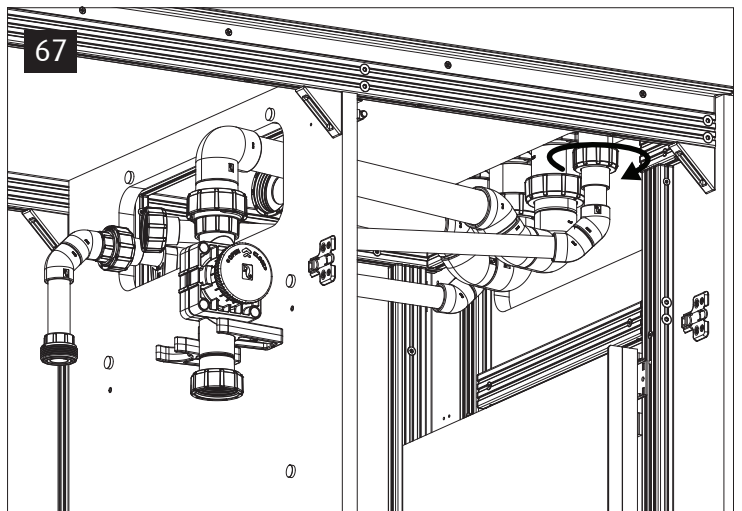
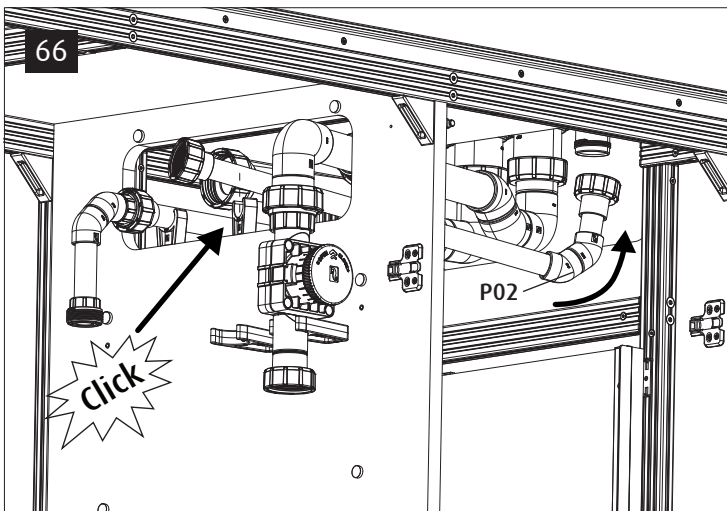
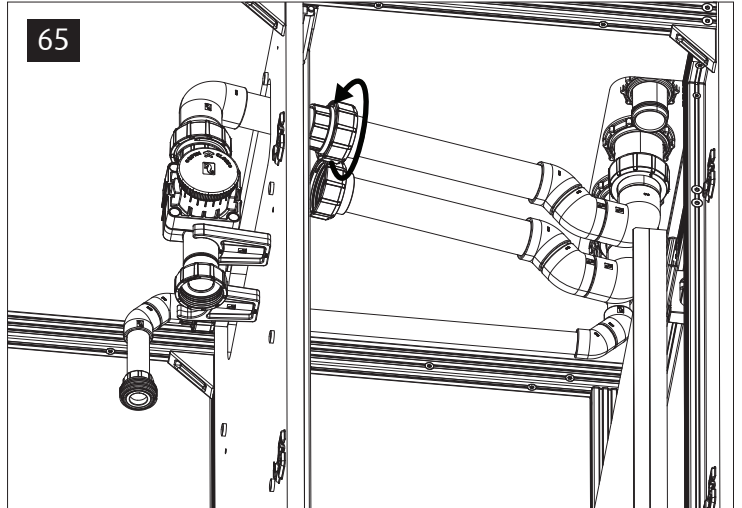
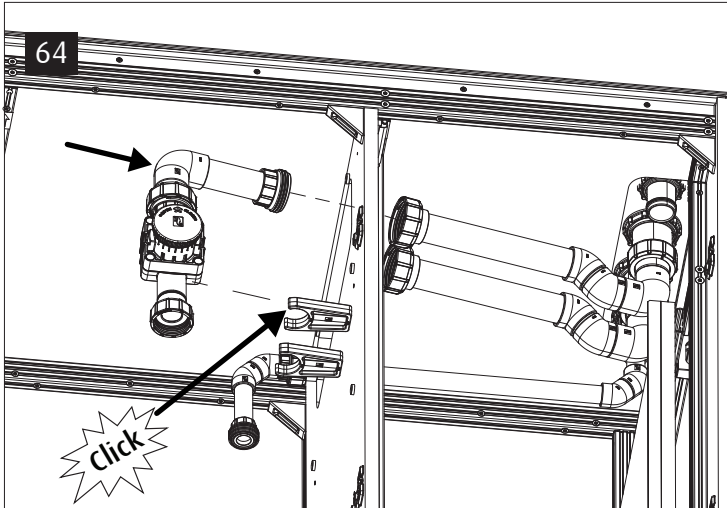
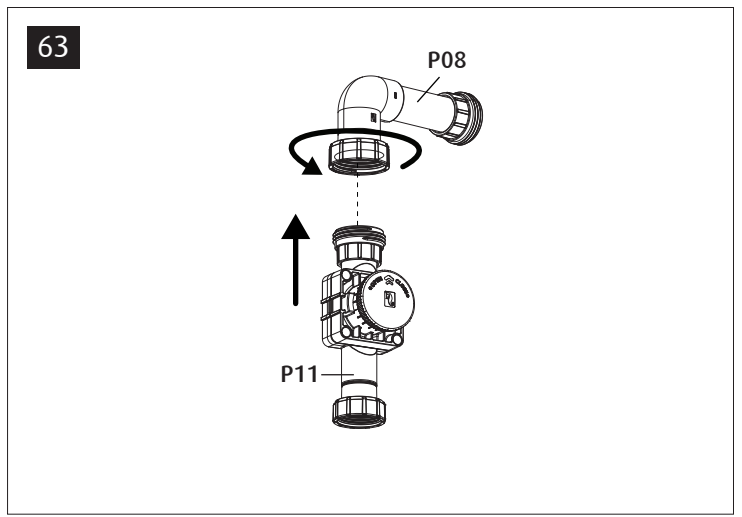
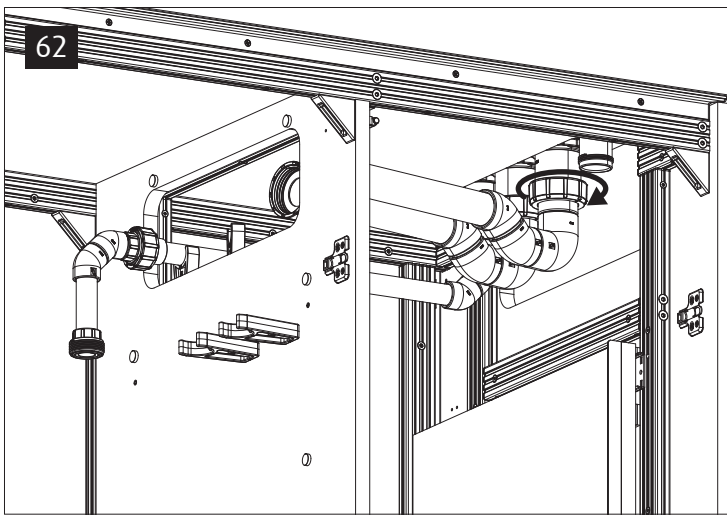


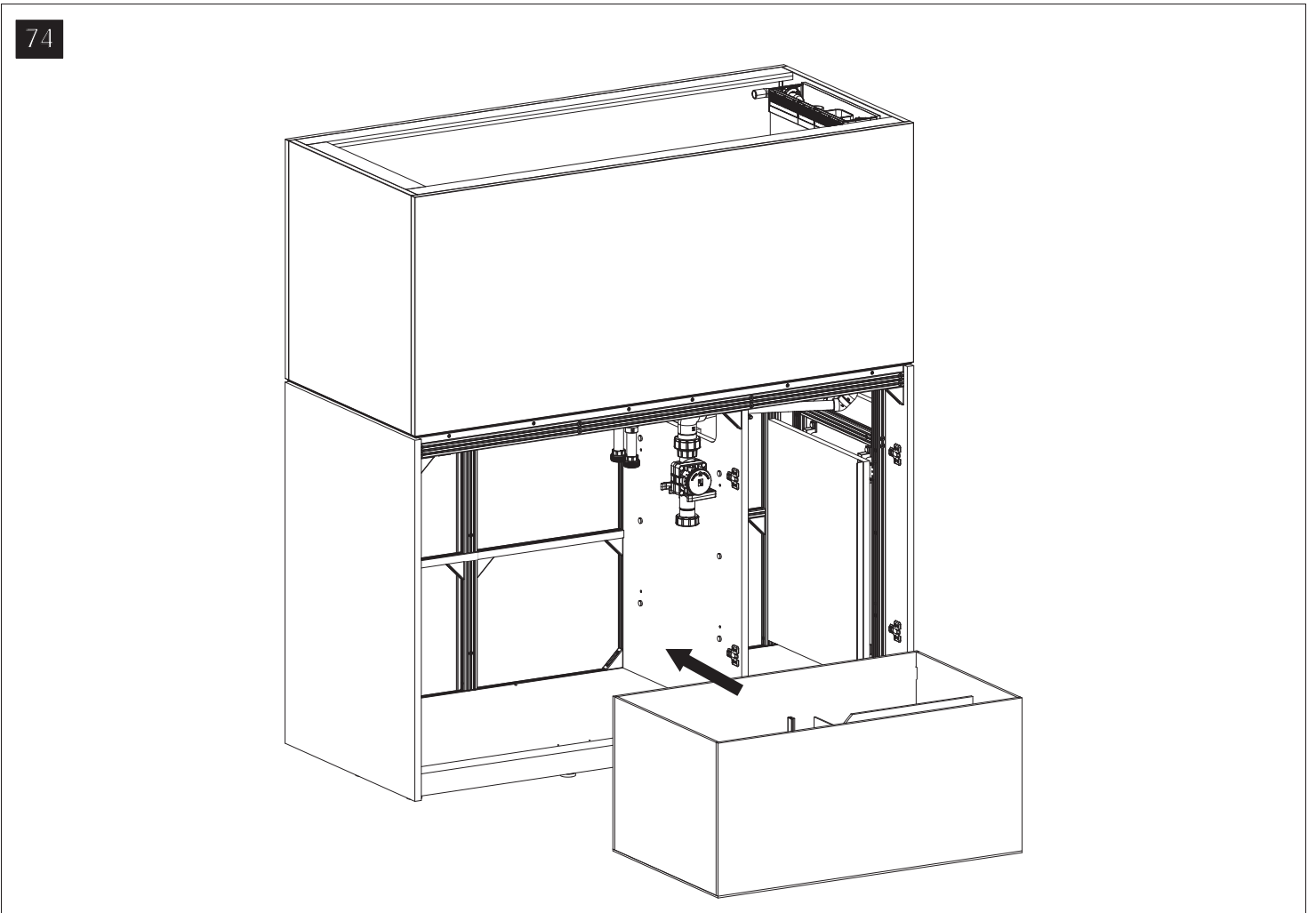
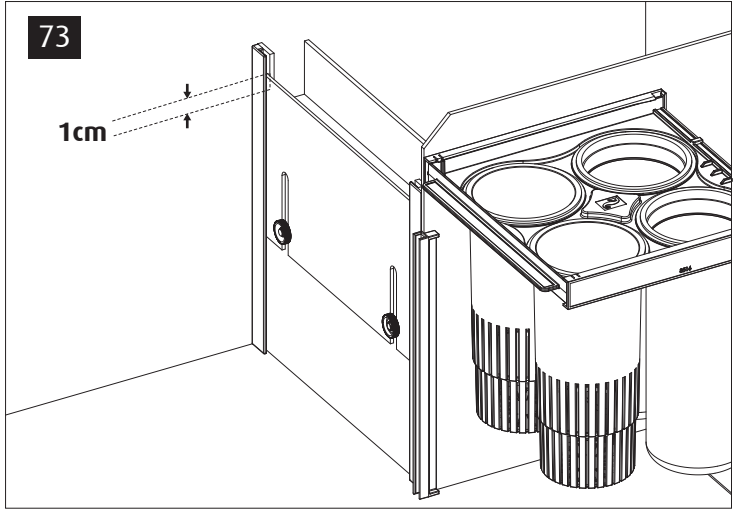
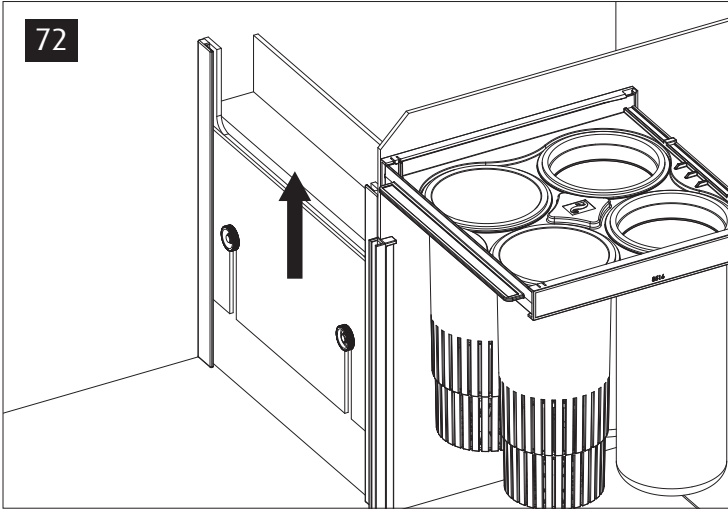
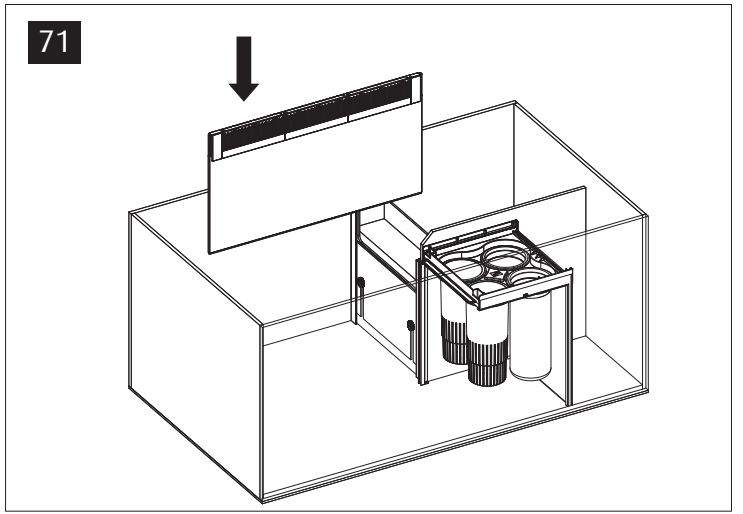
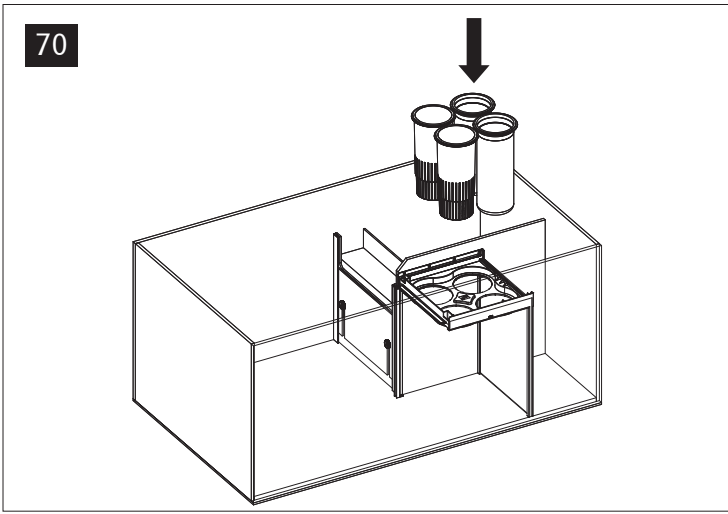
54



55

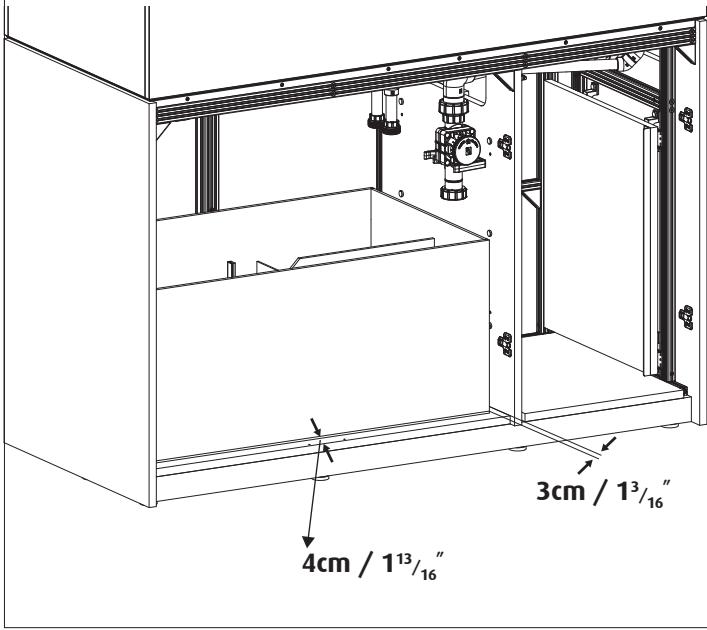




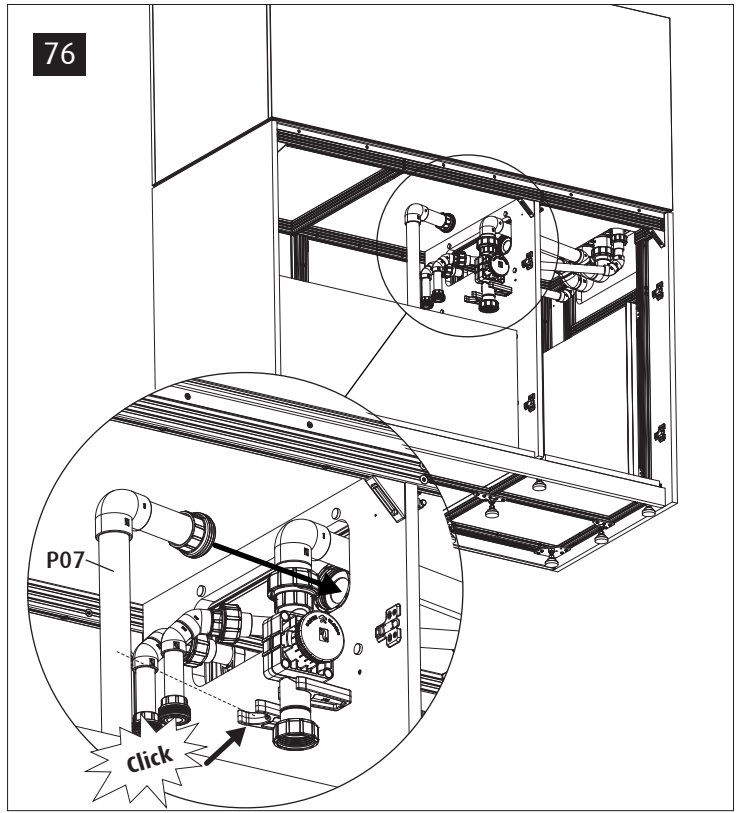




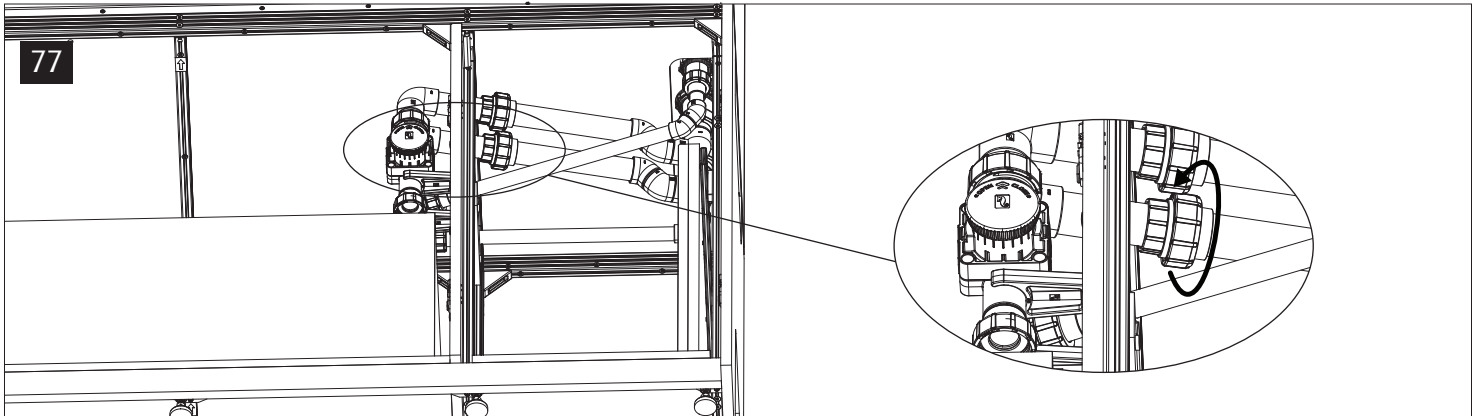
75



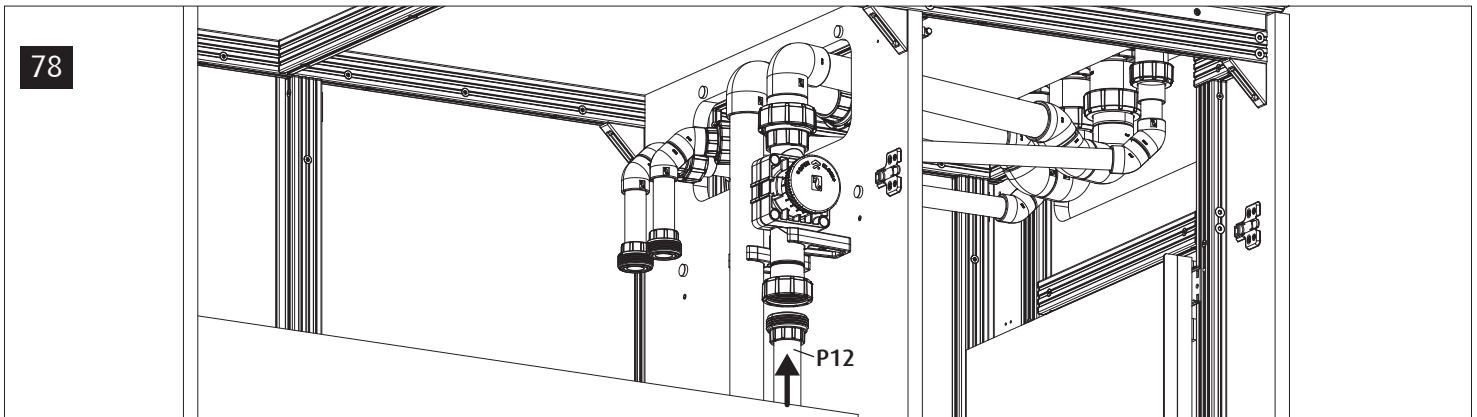
76



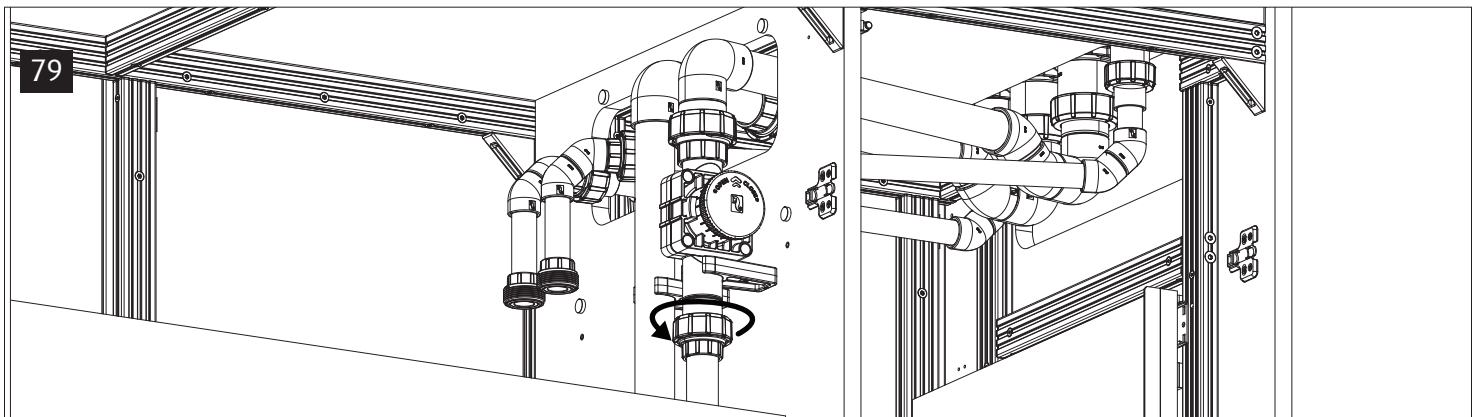
77



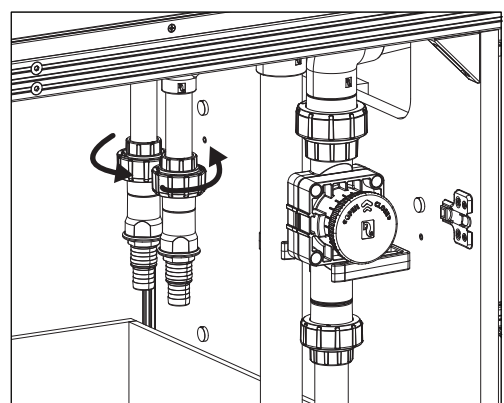
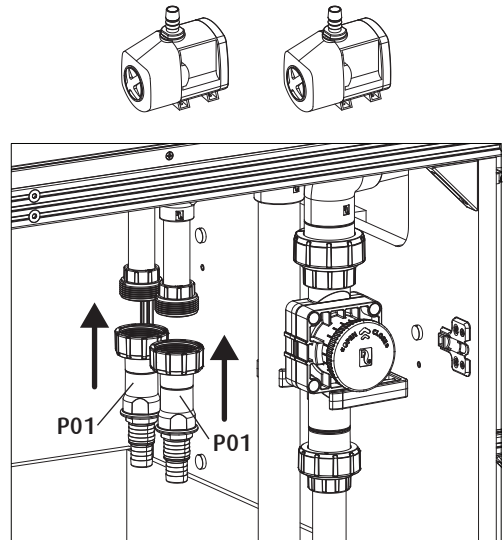
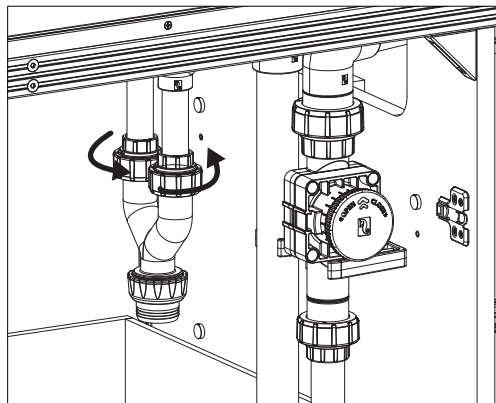
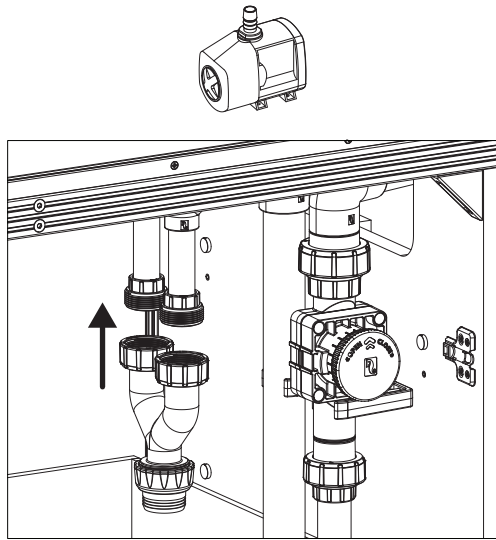
78



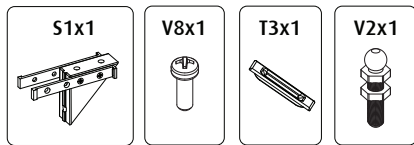
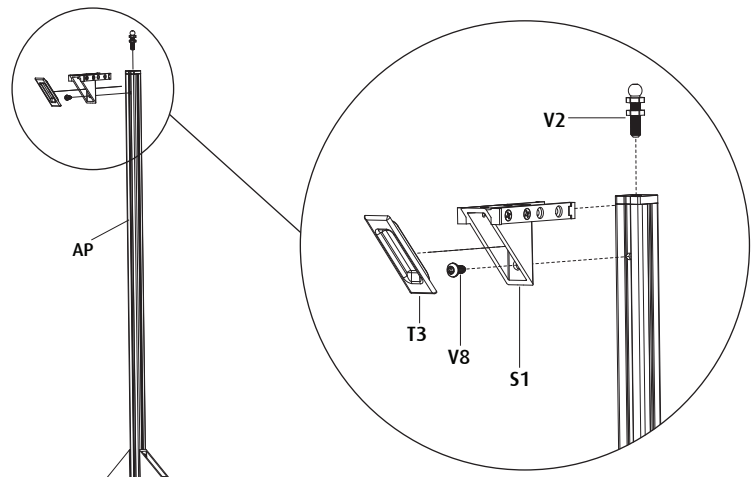
79



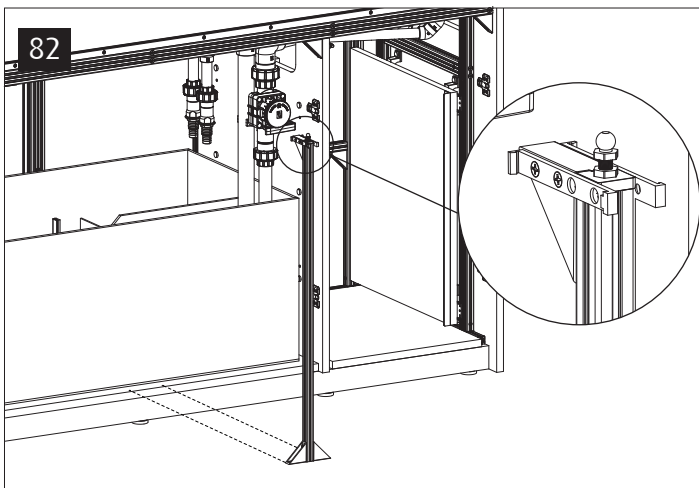
80



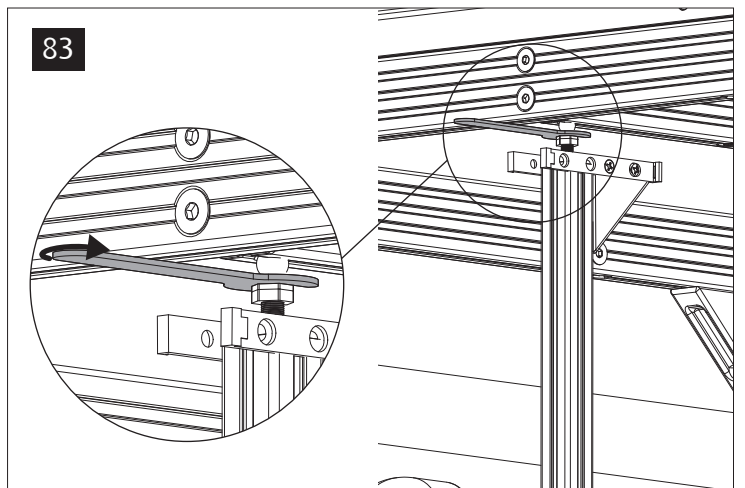
81



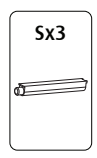
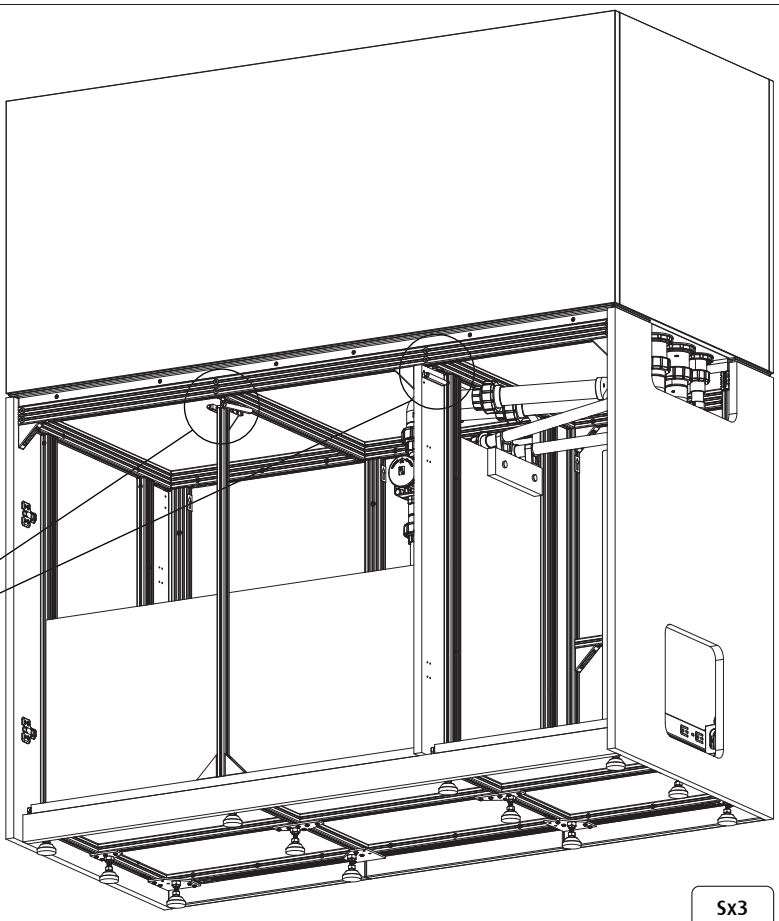
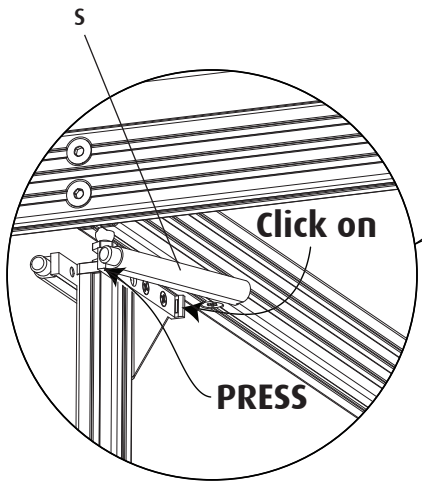
82



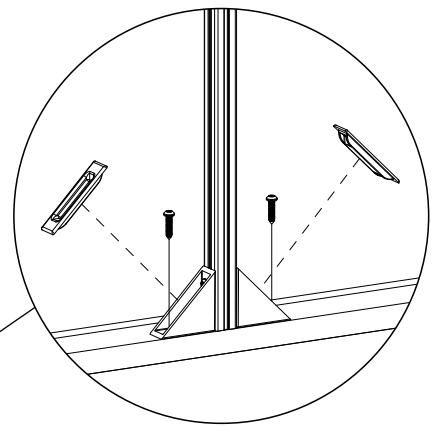
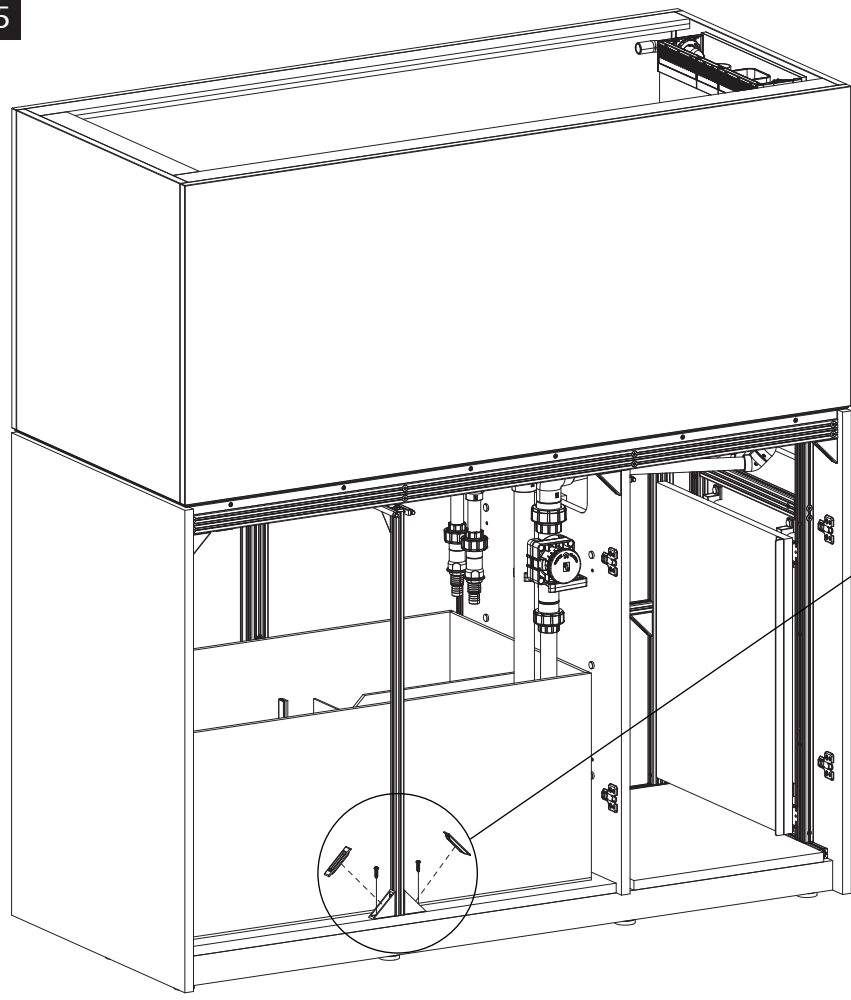
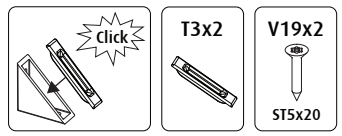
83



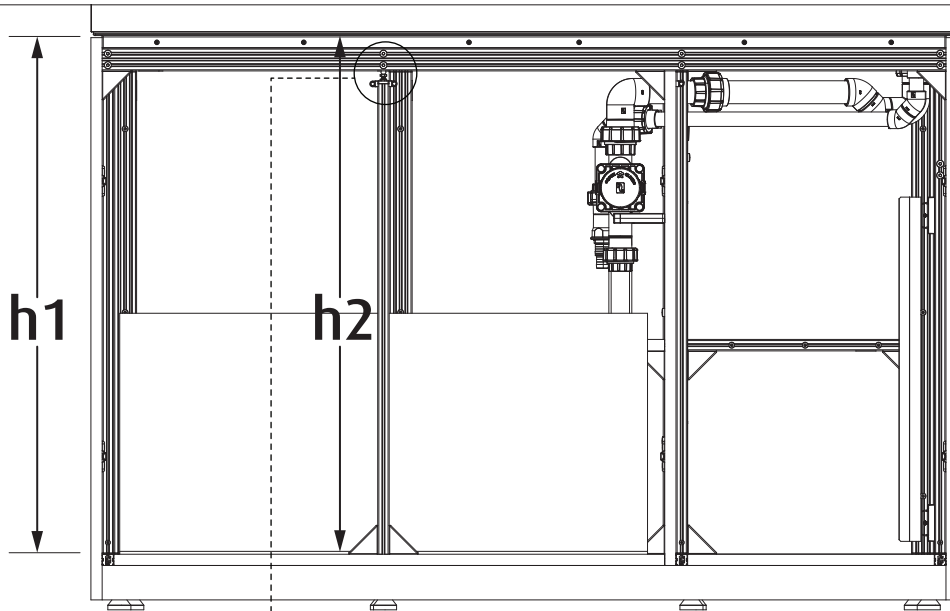
84



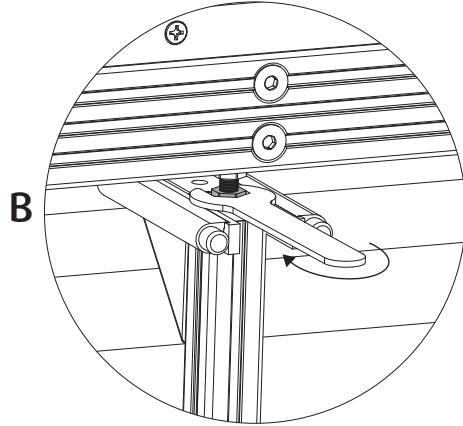
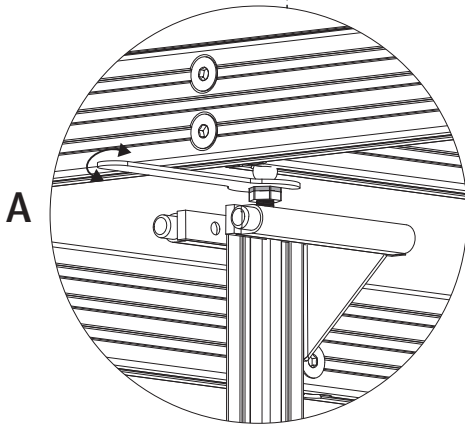
85



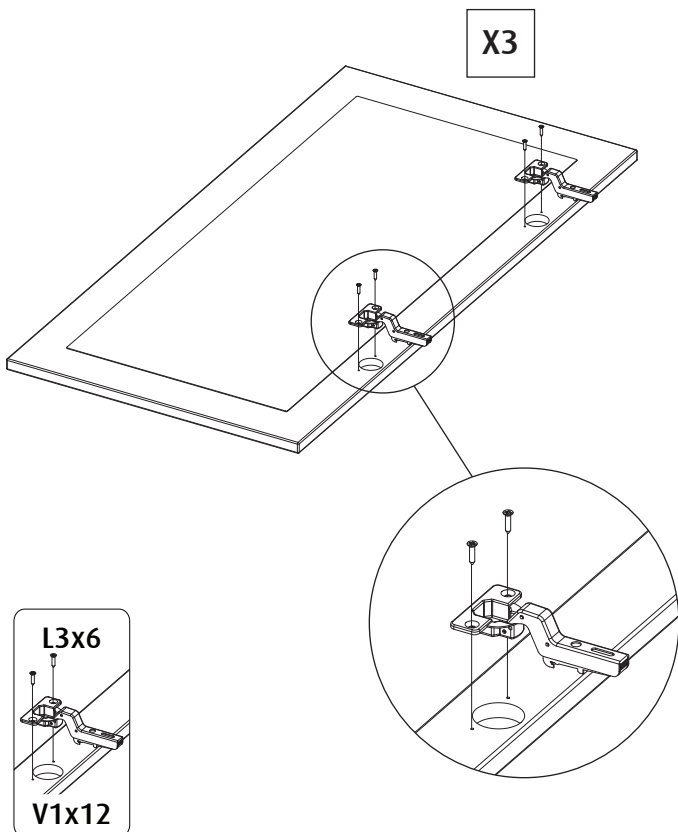
86



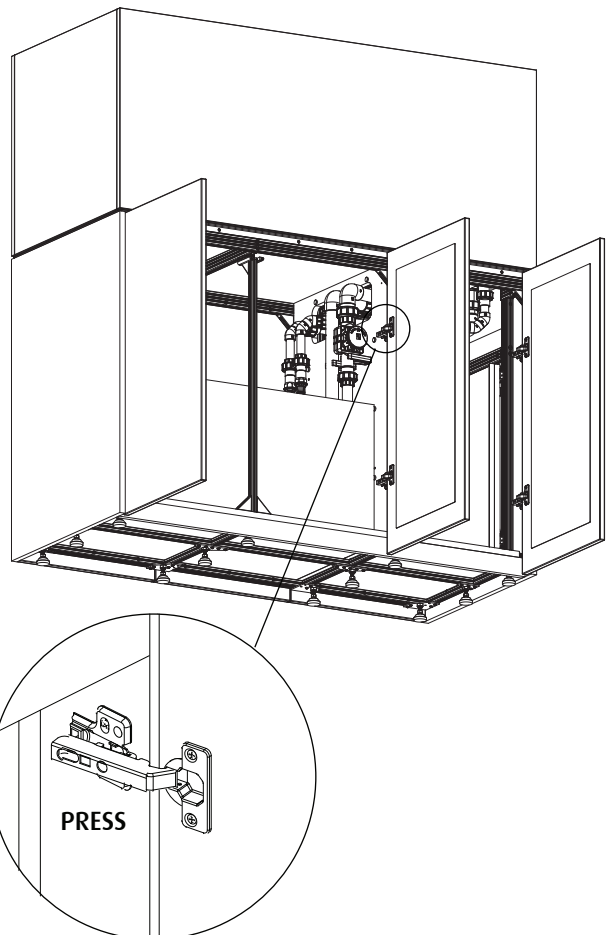
$h1 = h2$



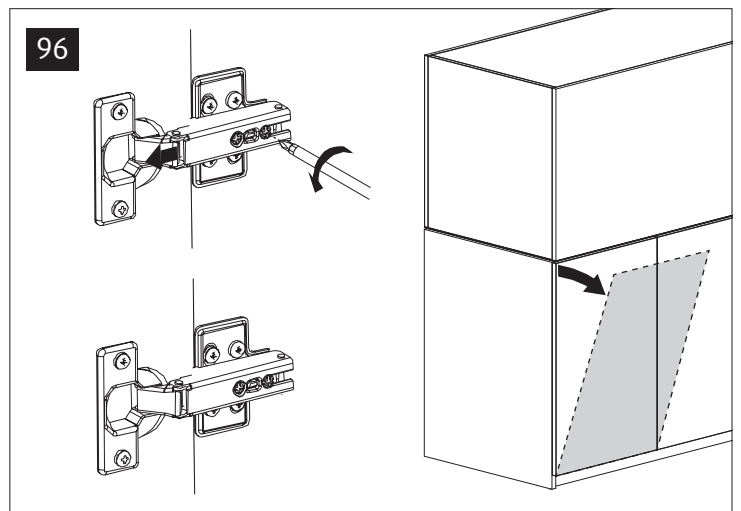
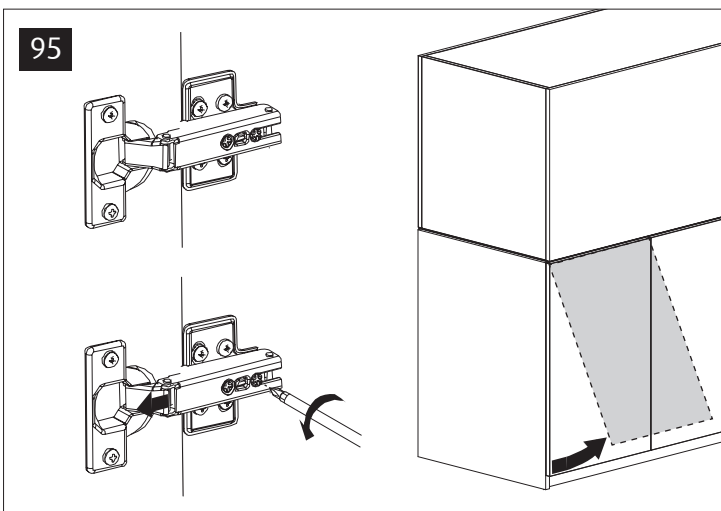
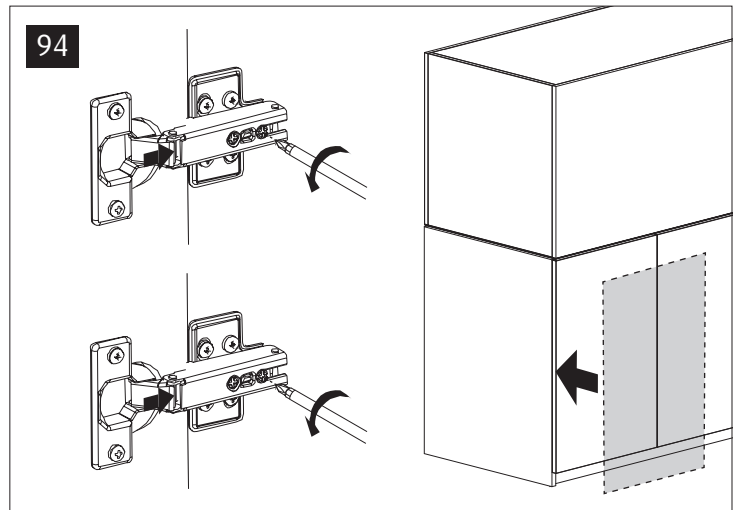
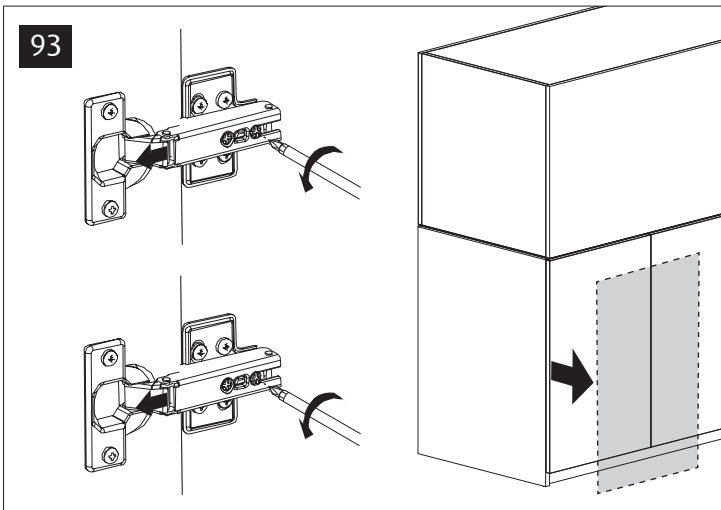
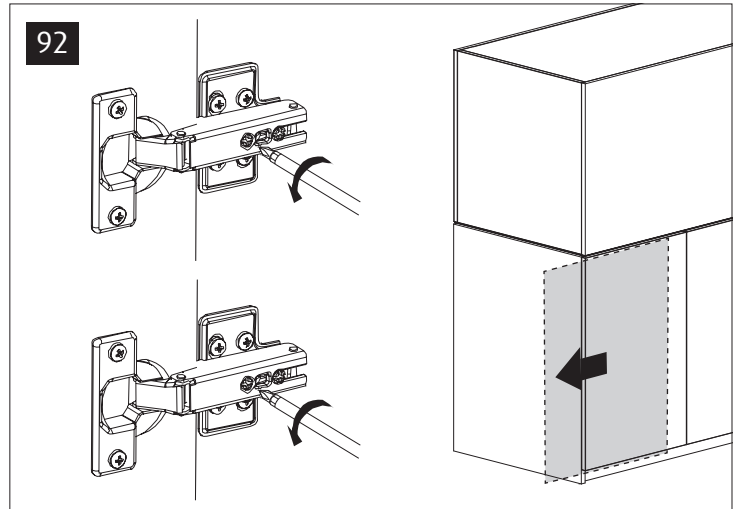
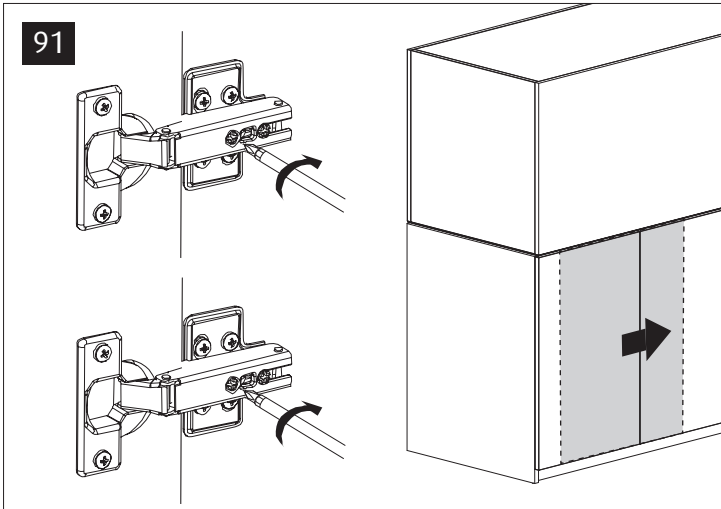
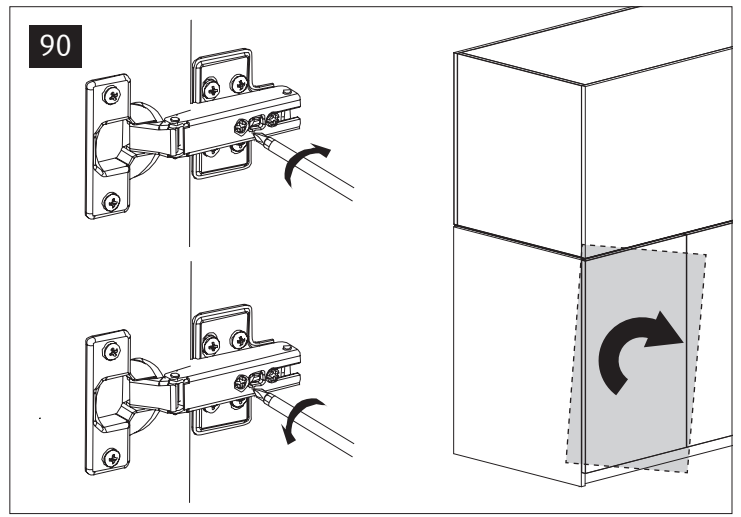
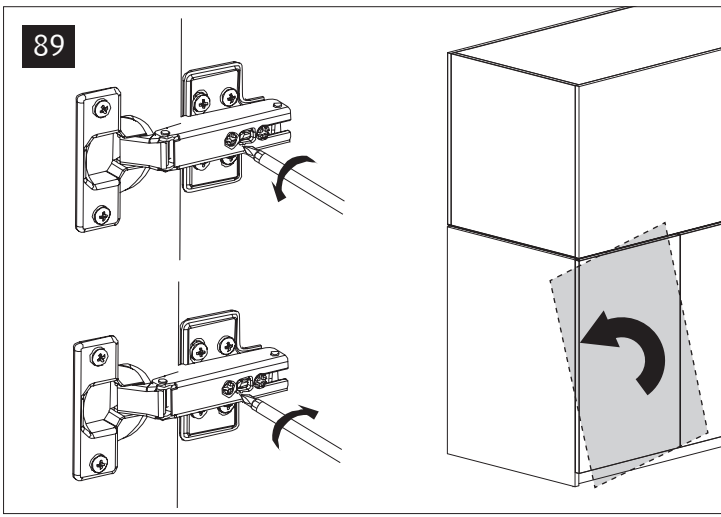
87

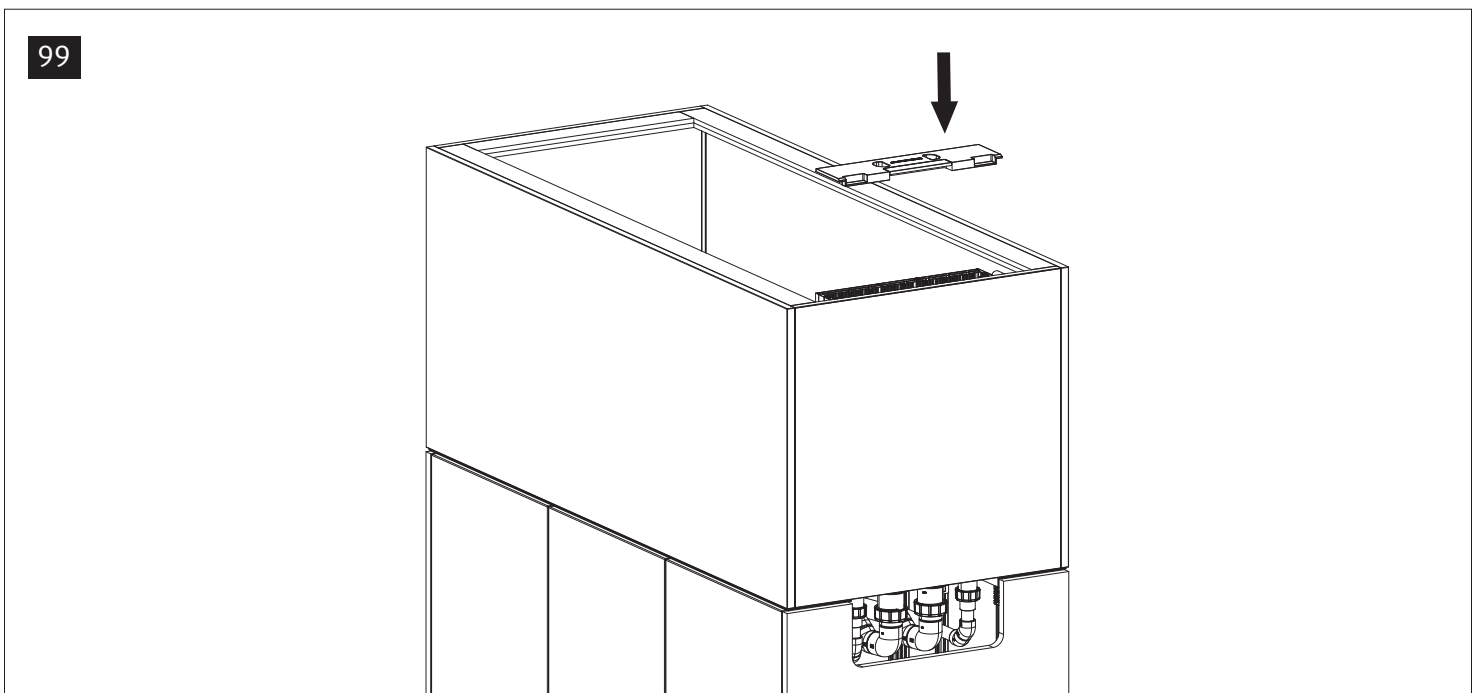
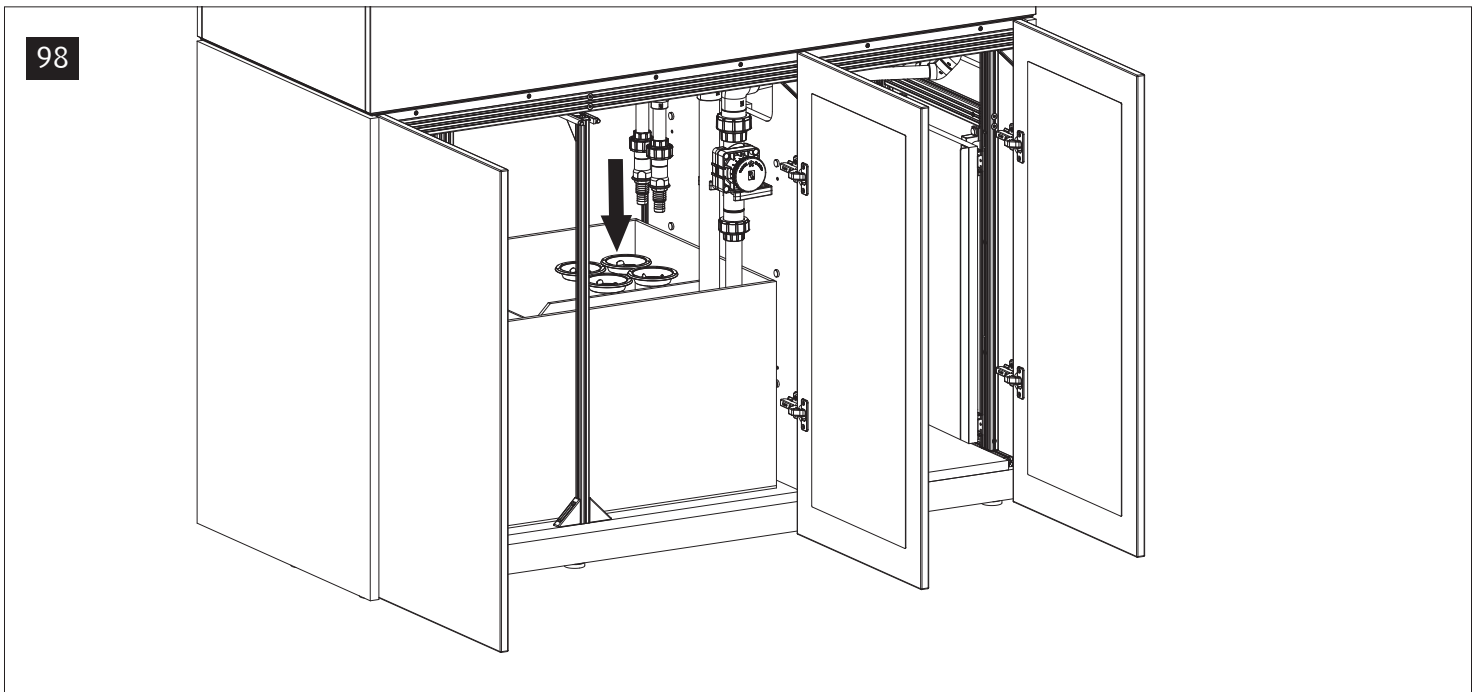
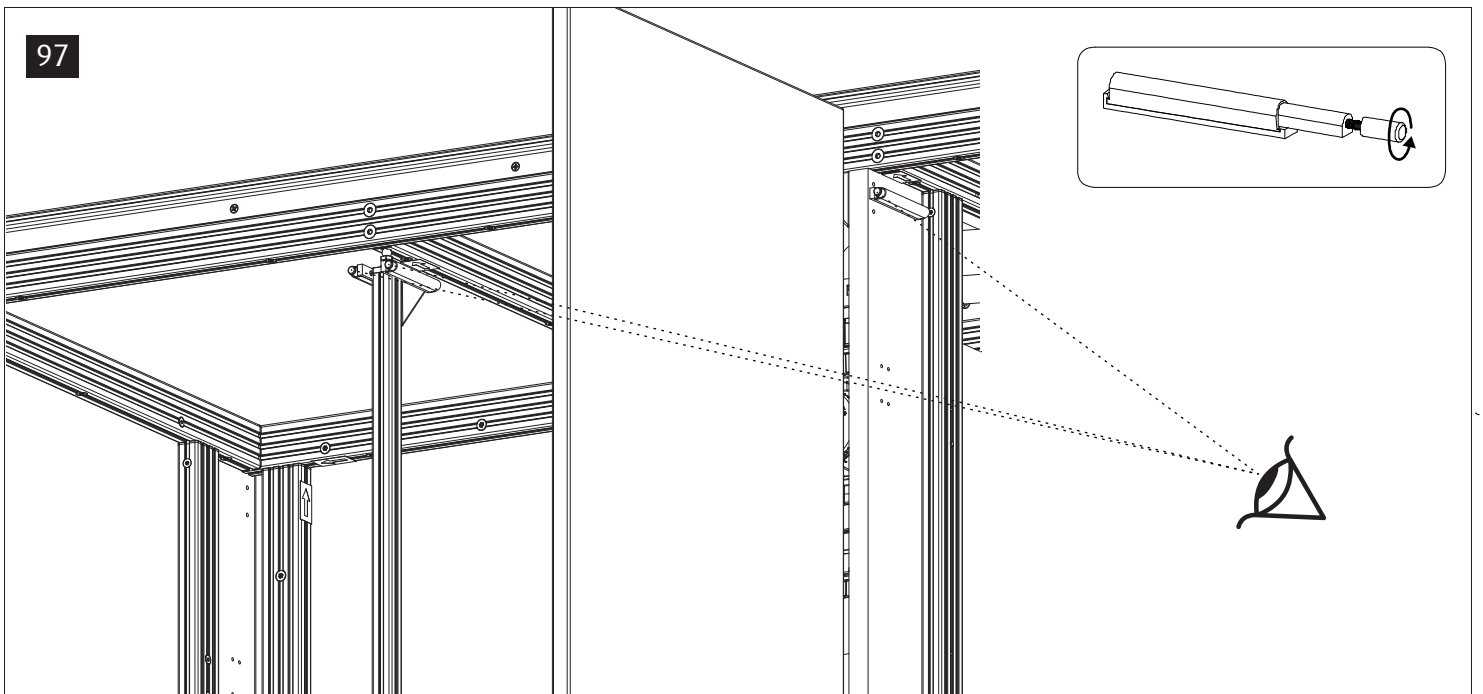


88

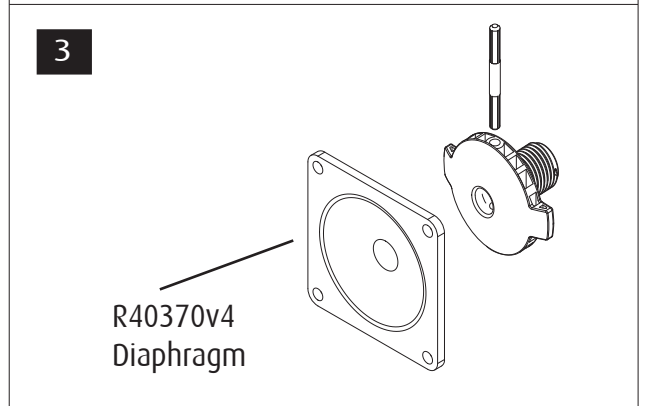
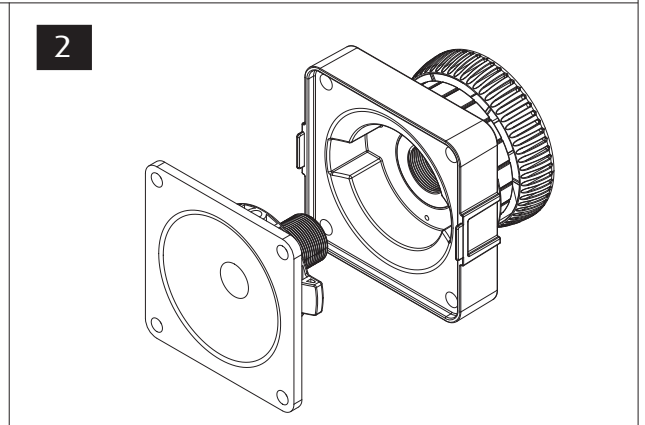
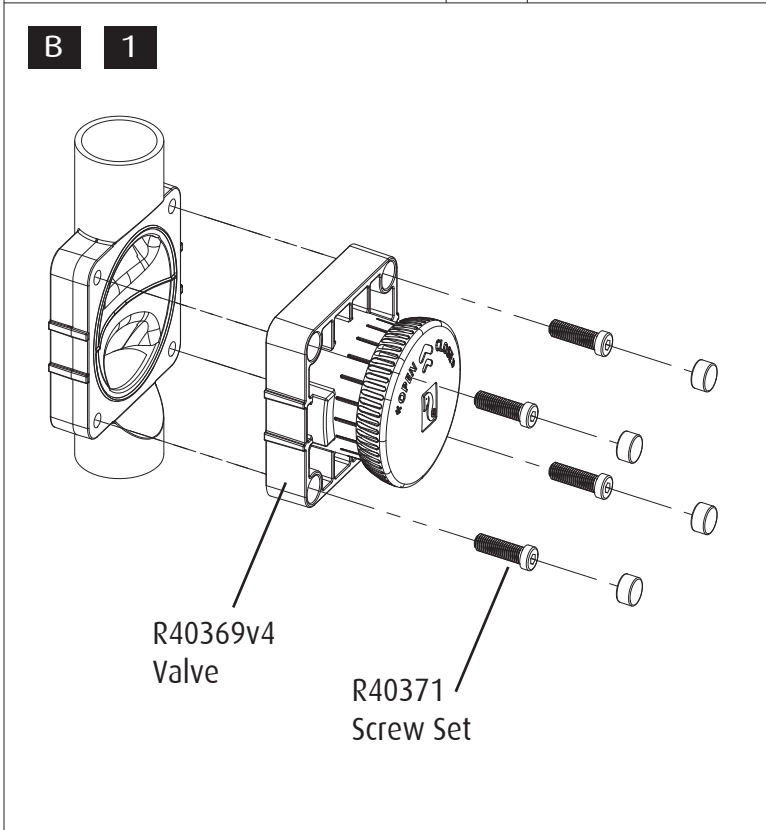
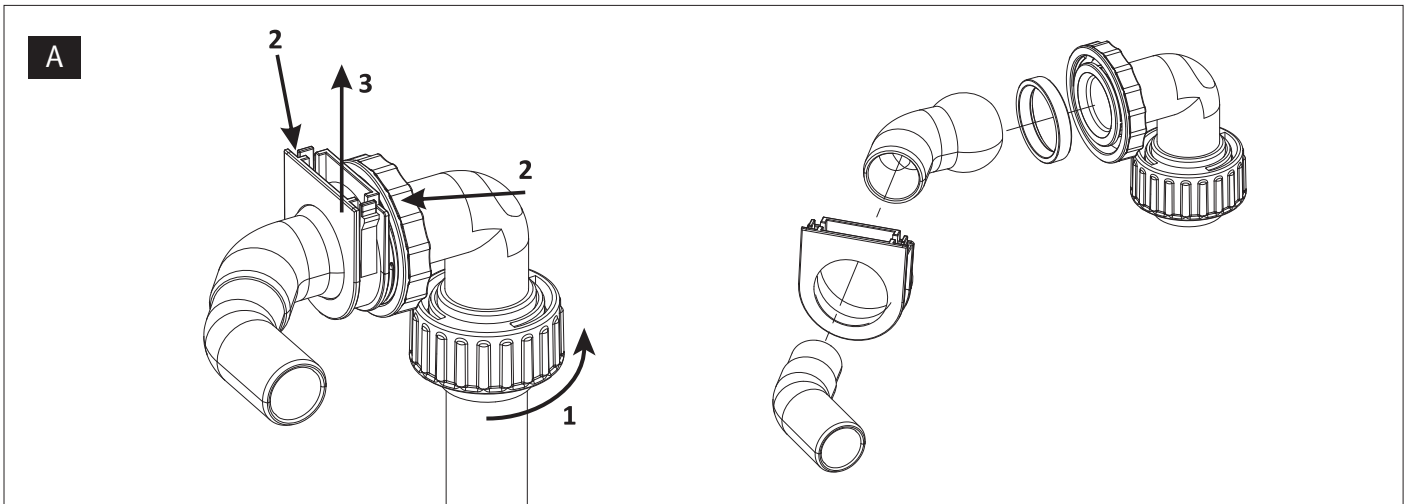




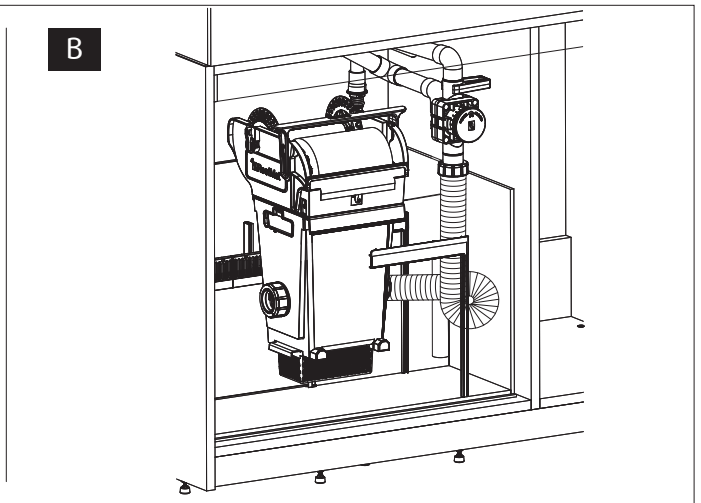
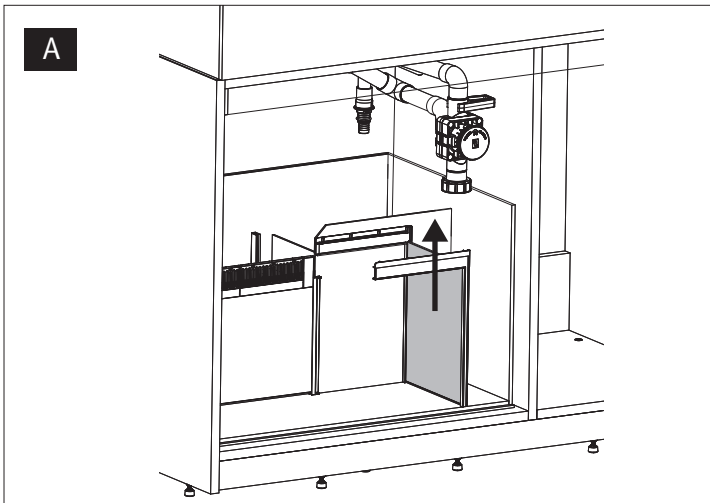




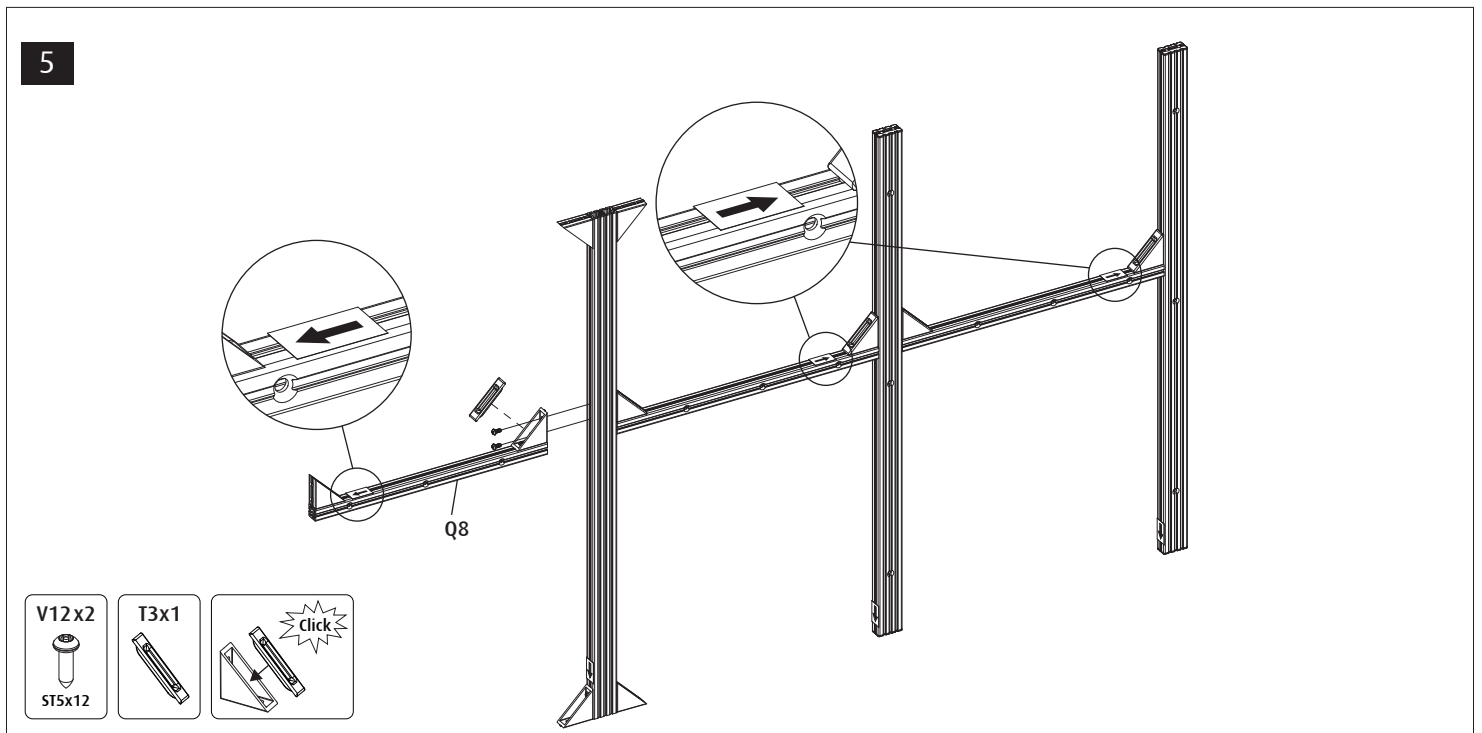
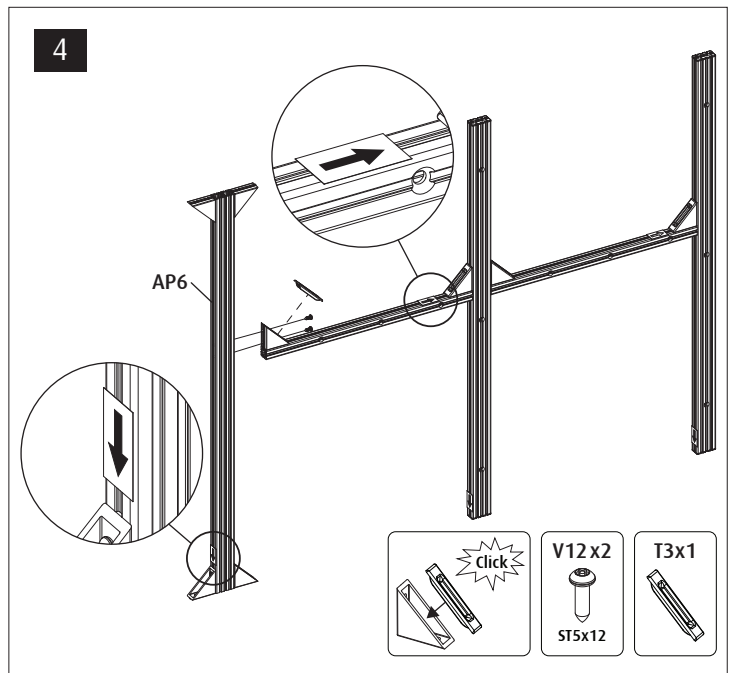
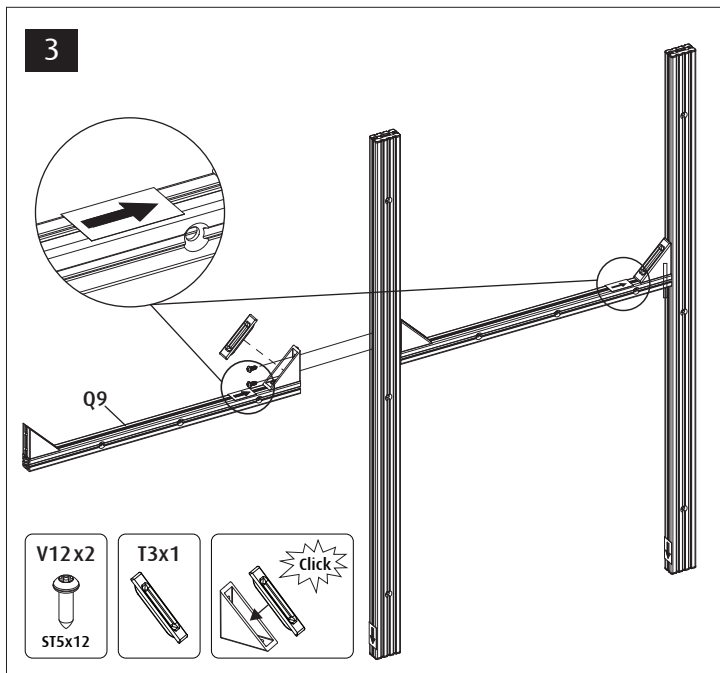
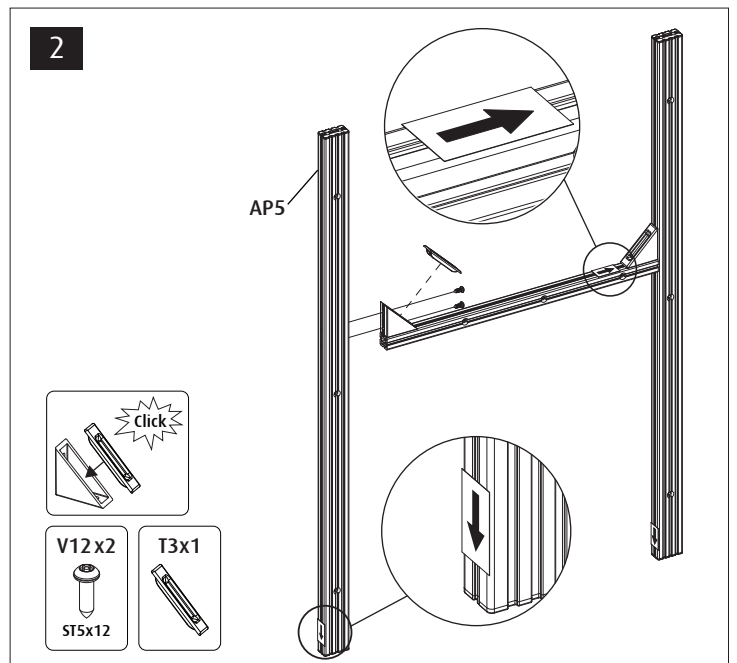
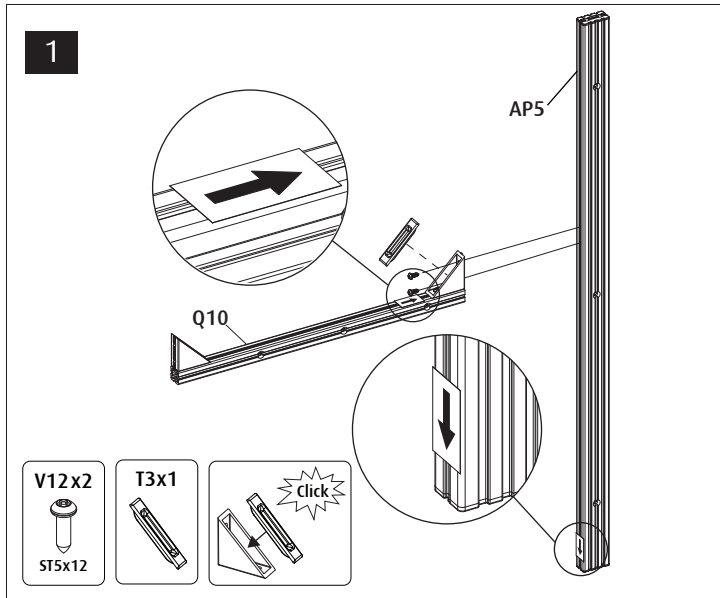
# MAINTENANCE



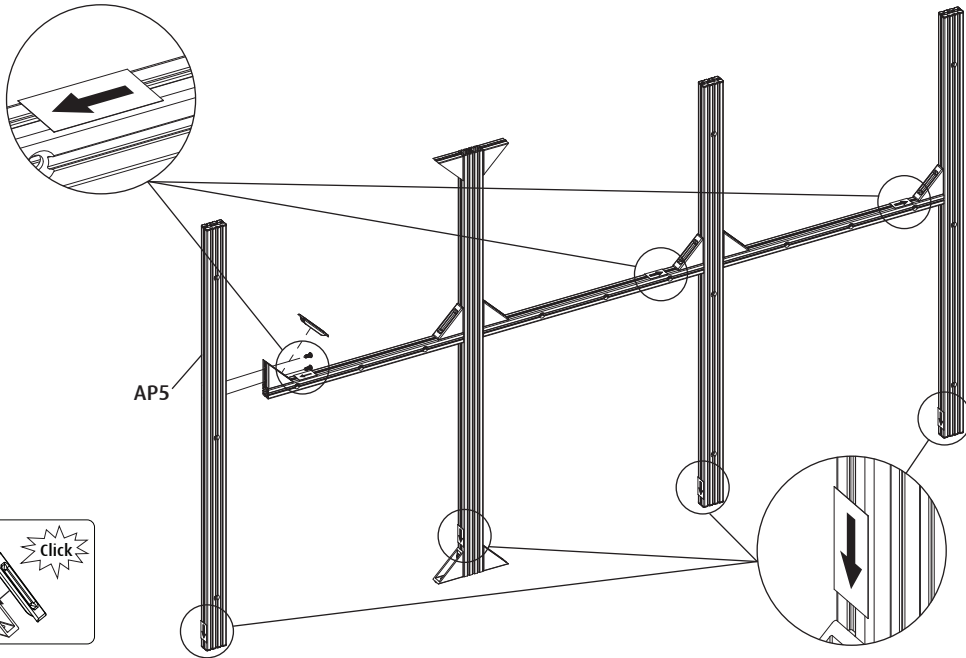
**ReefMat®**



# LEFT-SIDE Door instalation



6



V12x2

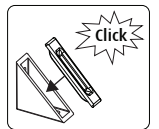
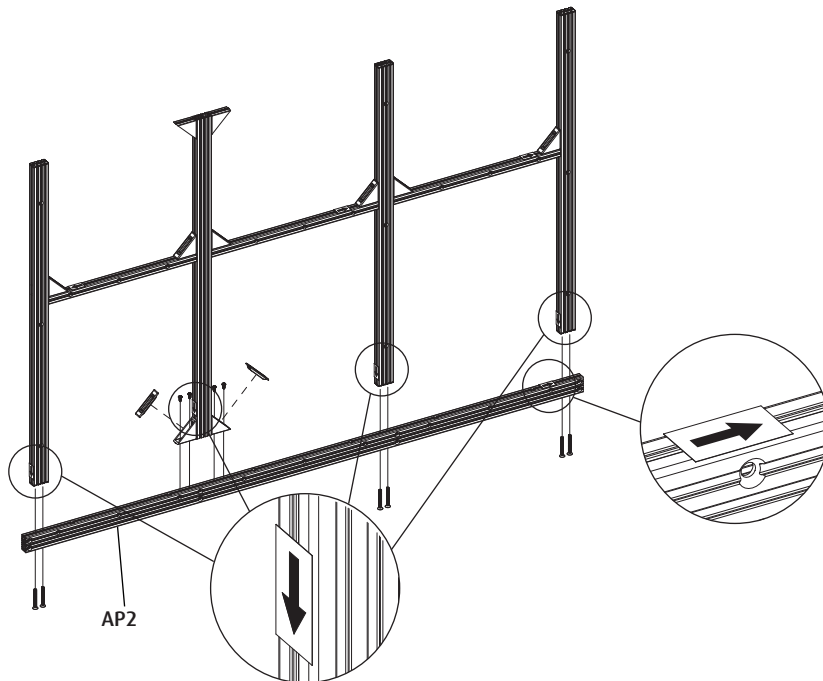


ST5x12

T3x1



7



T3x2



V13x6



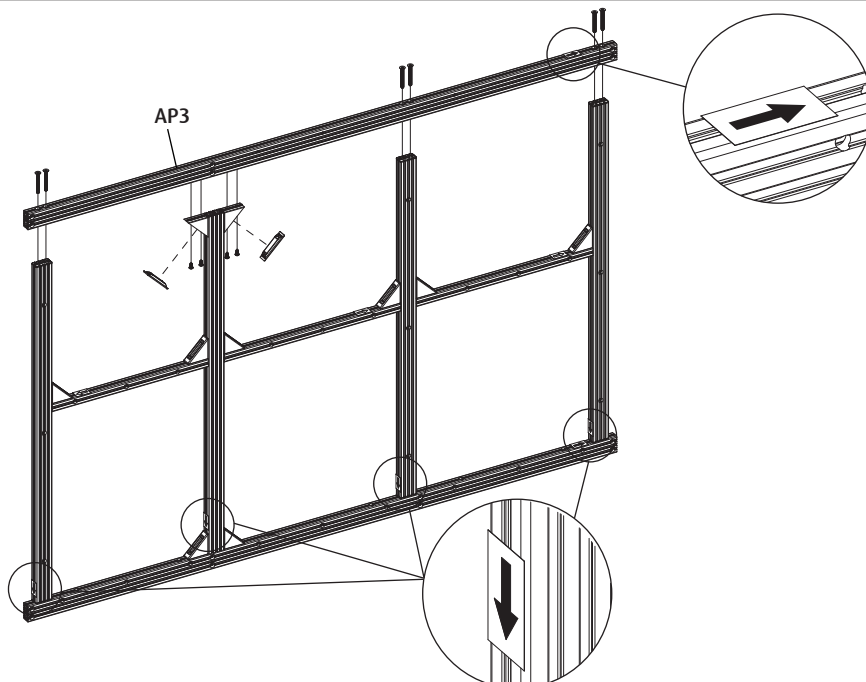
M6x55

V12x4



ST5x12

8



T3x2



V13x6

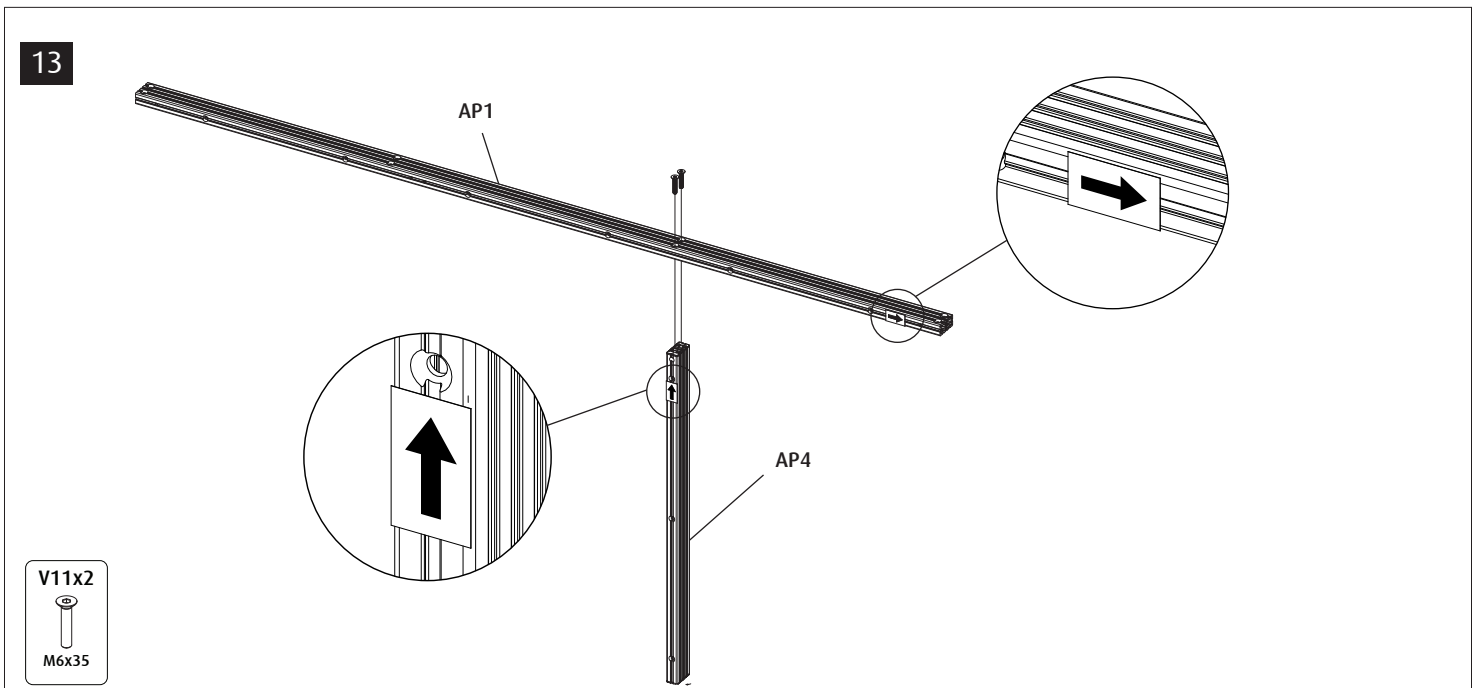
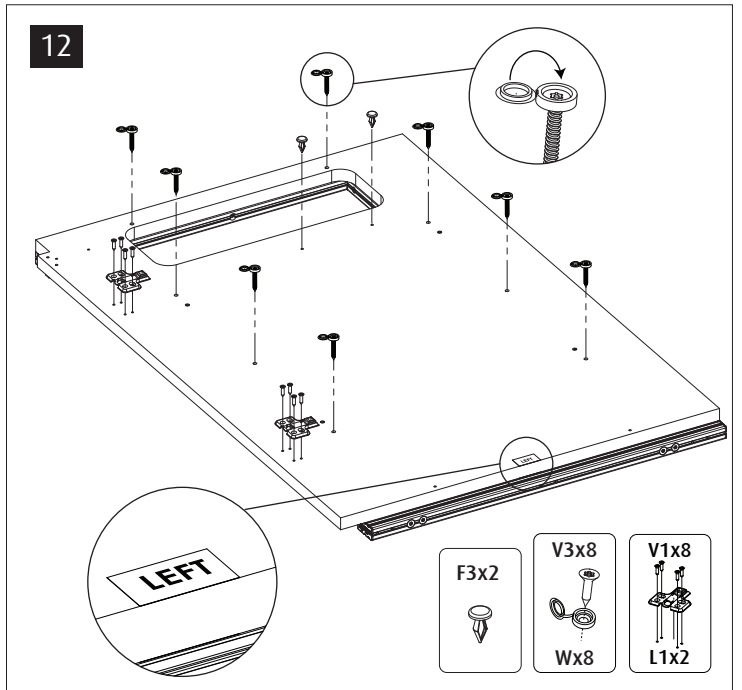
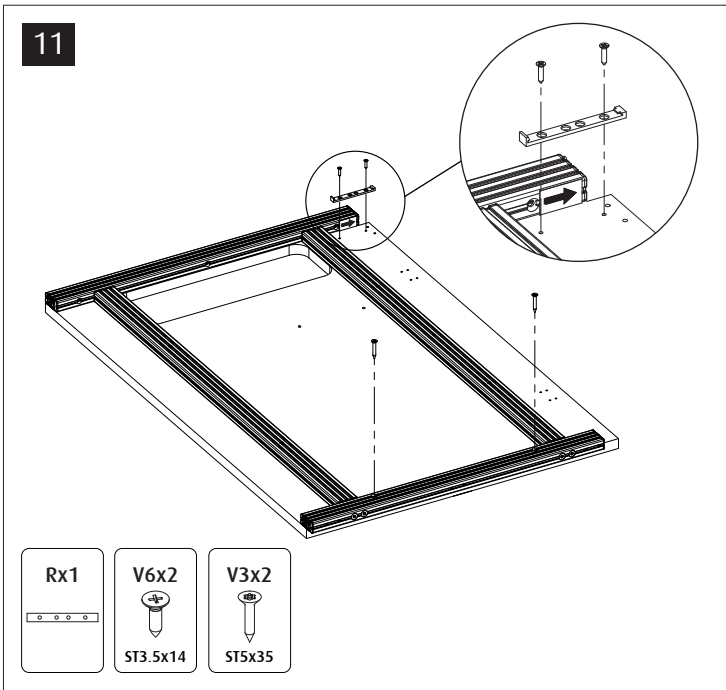
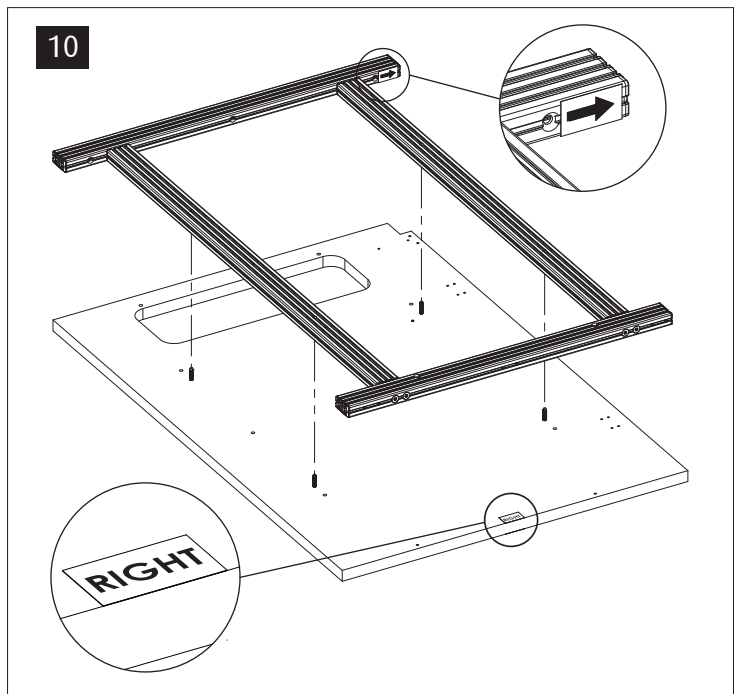
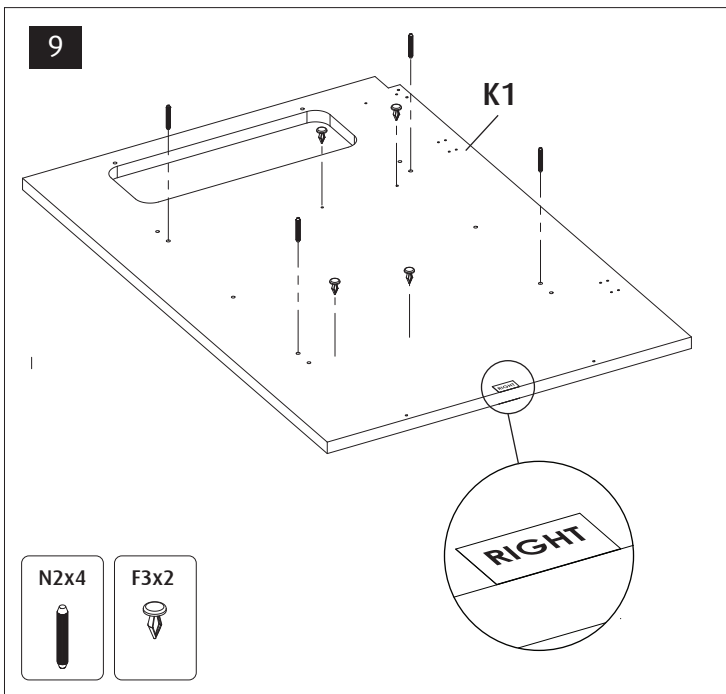


M6x55

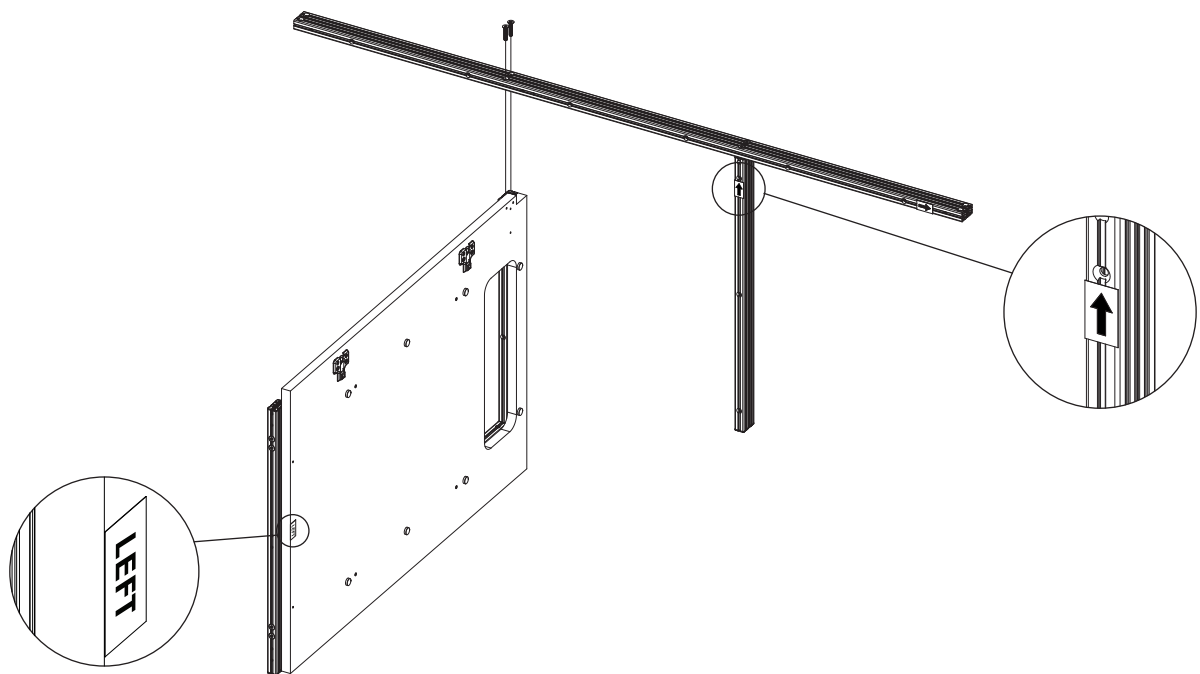
V12x4



ST5x12

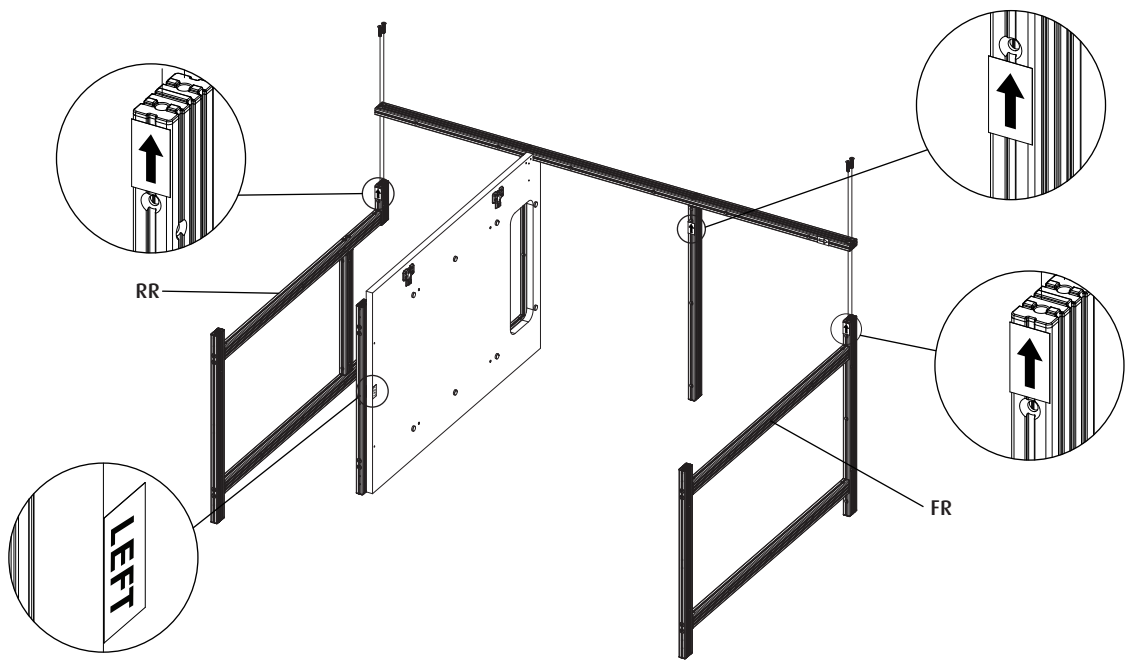


14



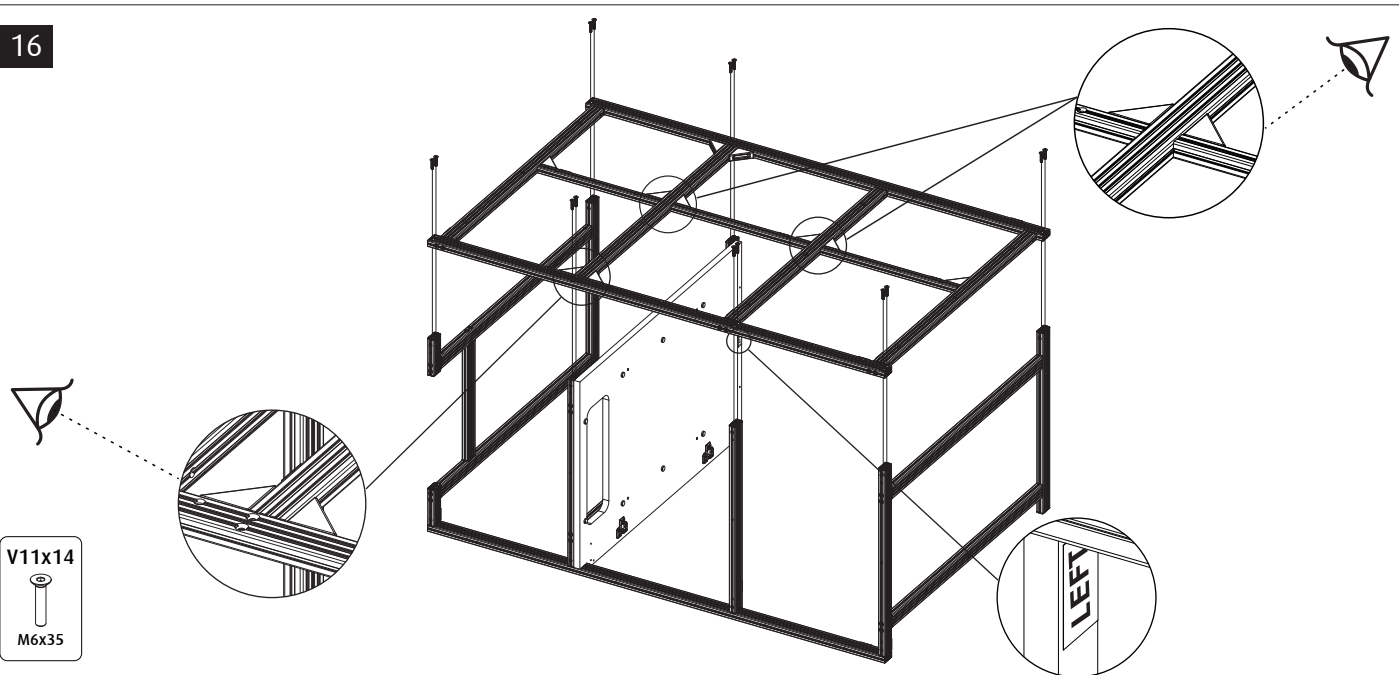
V11x2  
M6x35

15



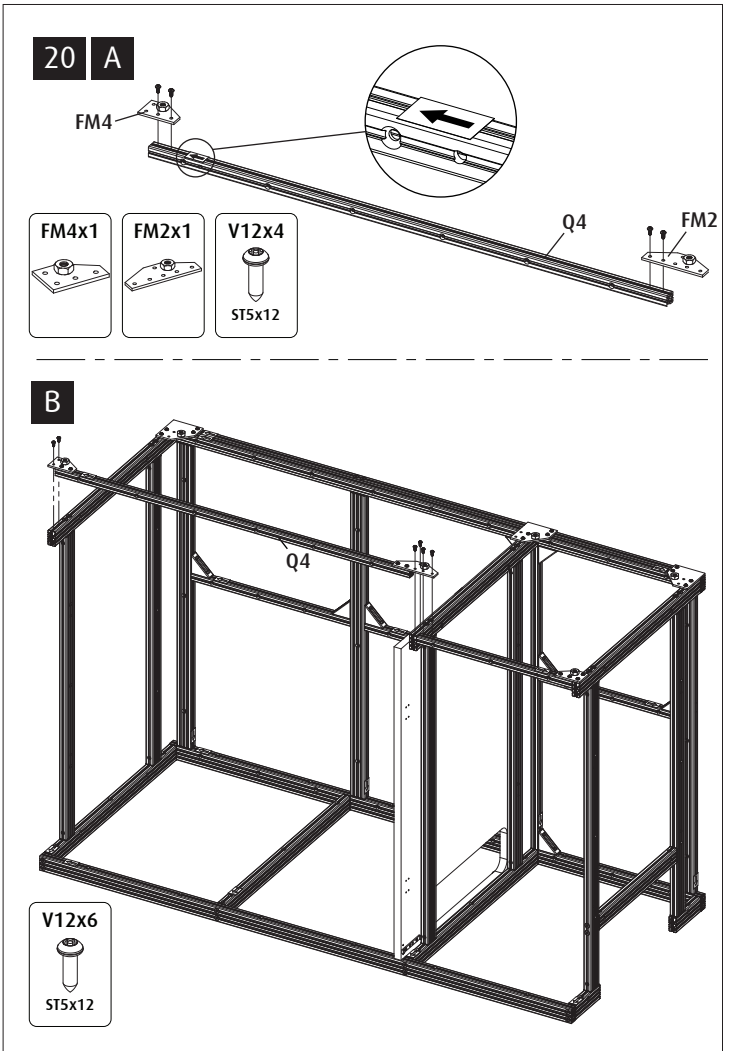
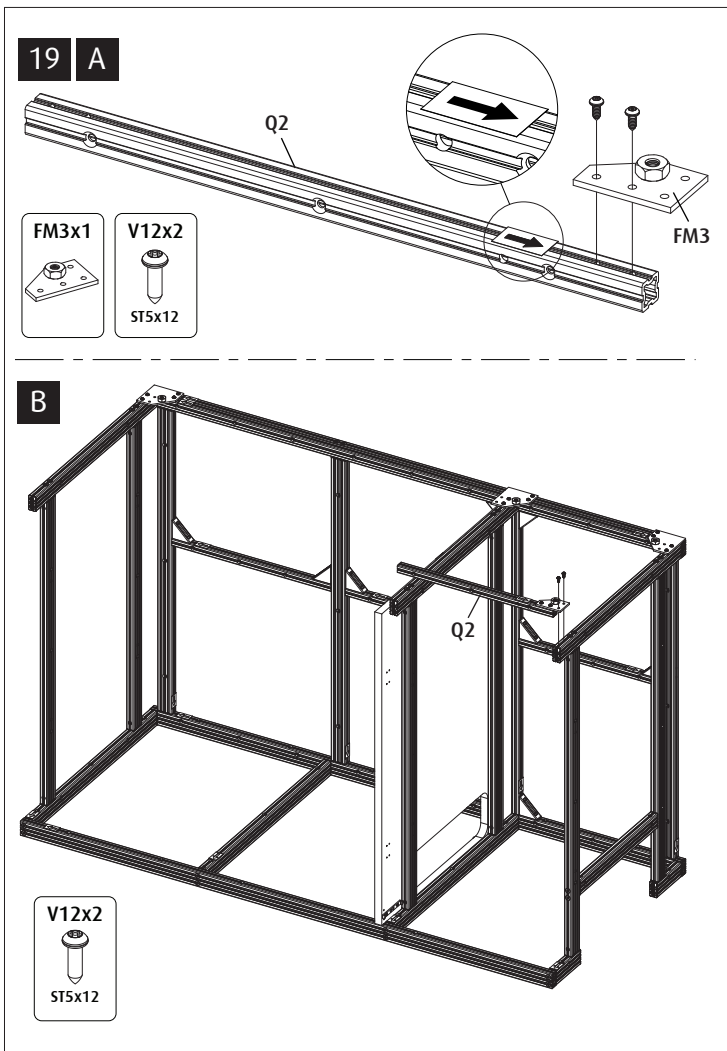
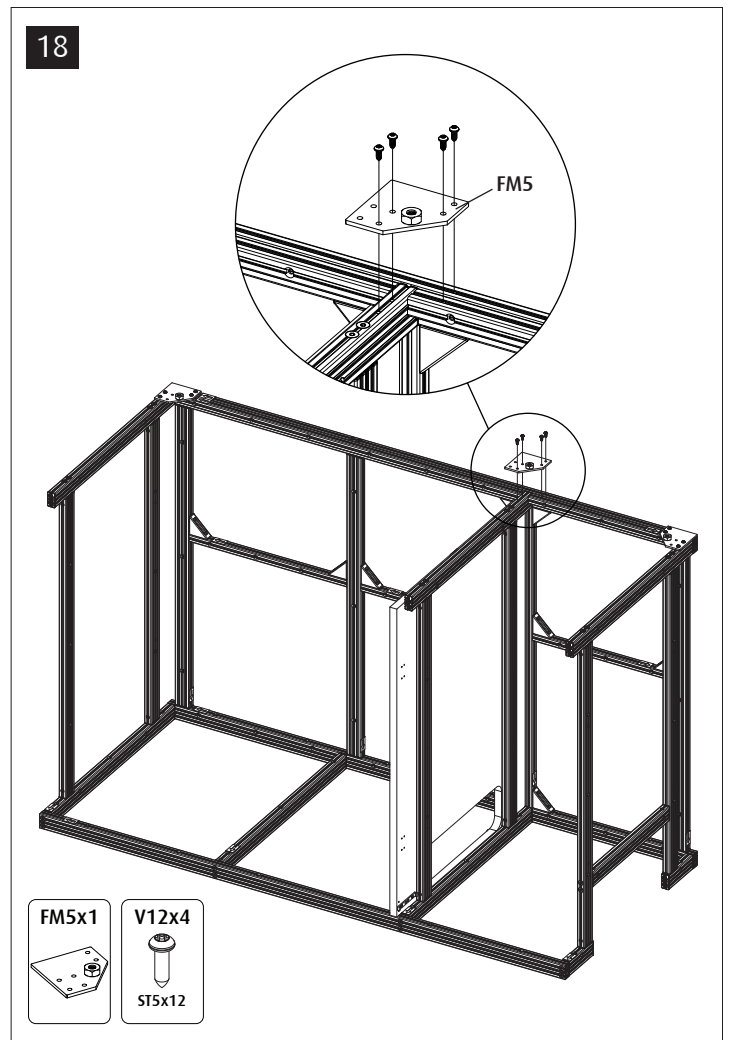
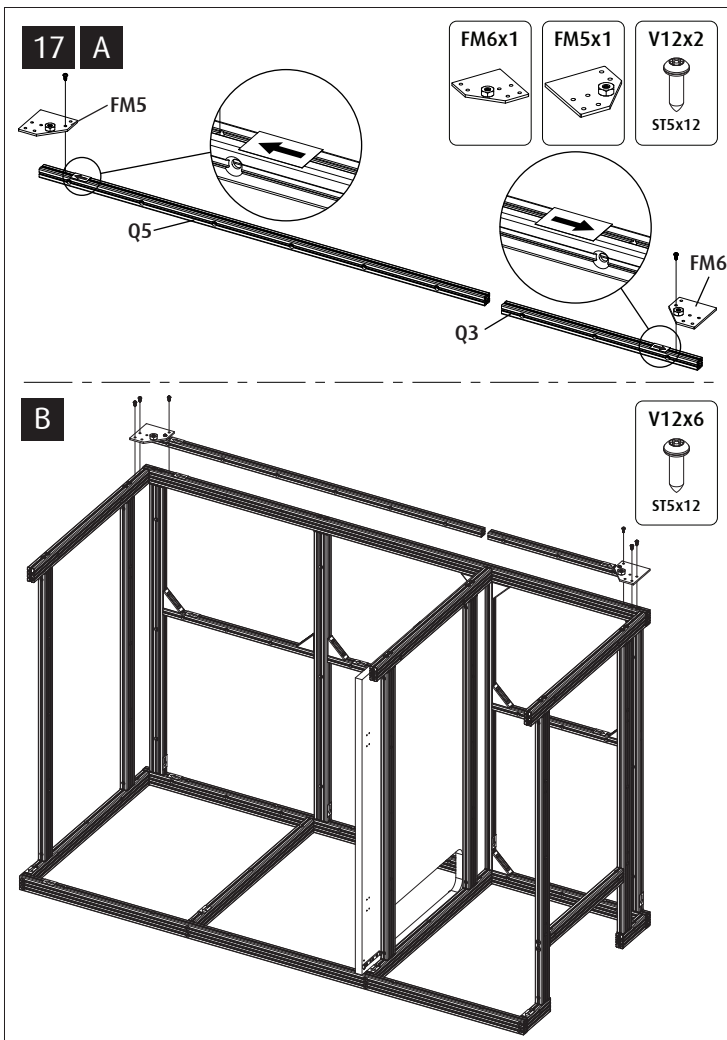
V11x4  
M6x35

16



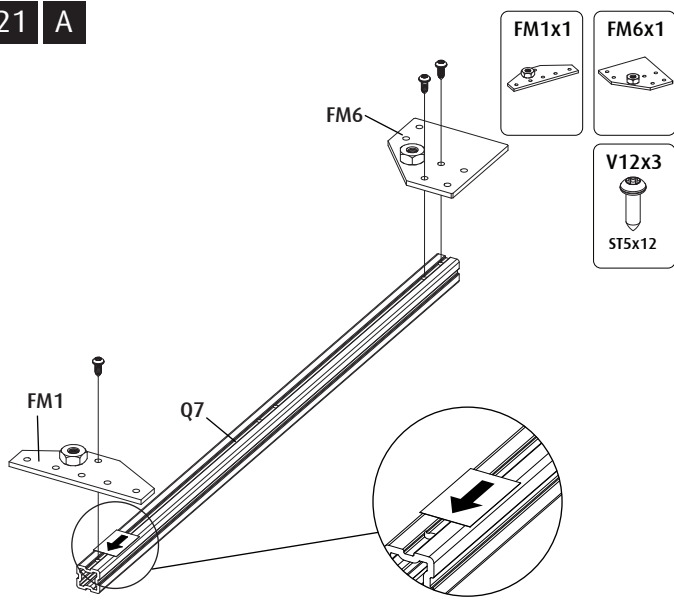
V11x14  
M6x35



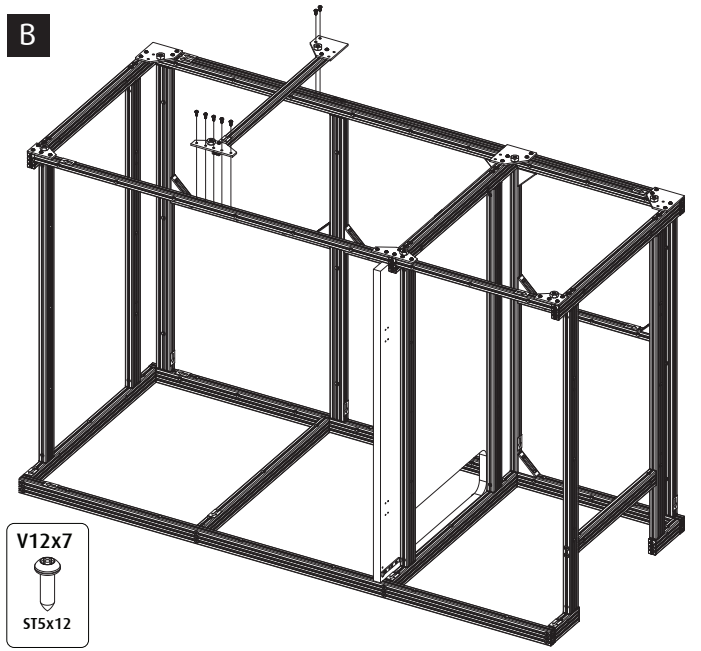




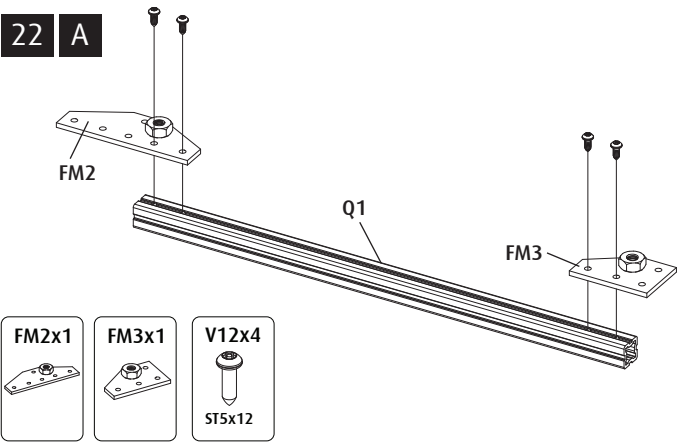
21 A



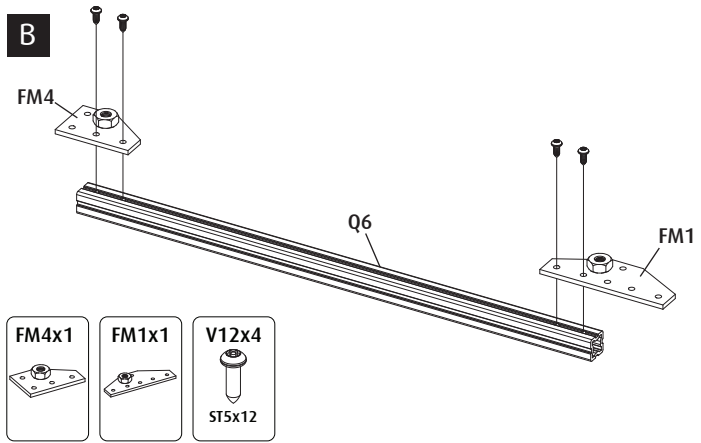
B



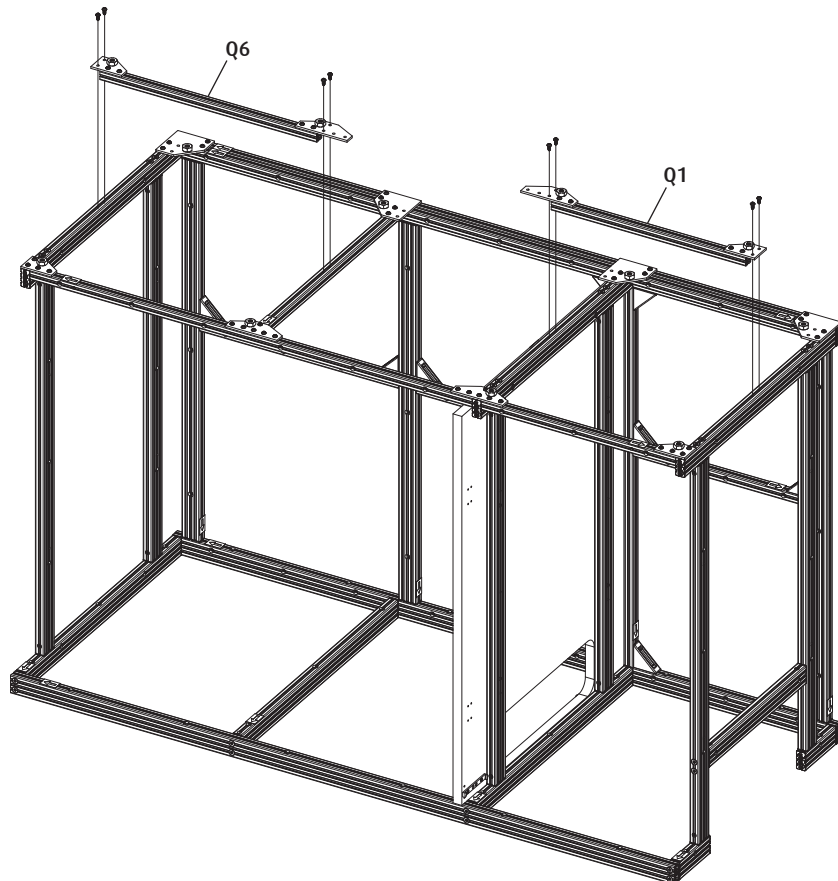
22 A



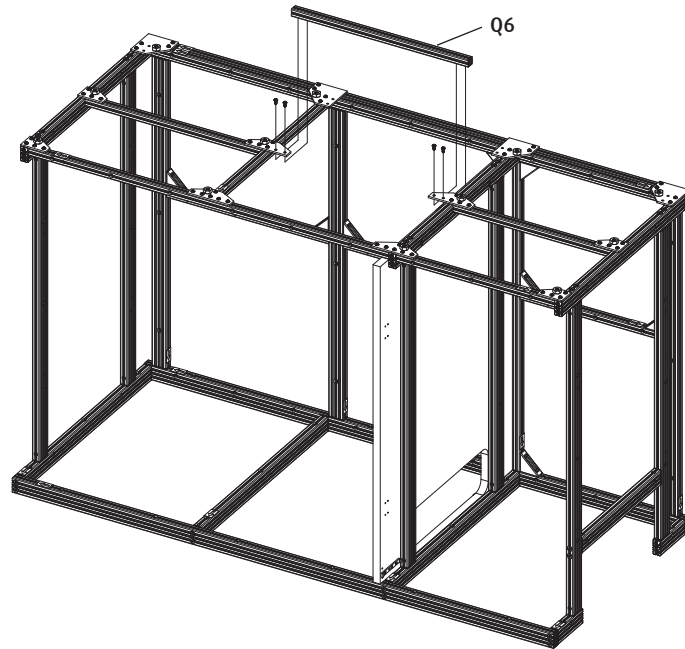
B



C



23

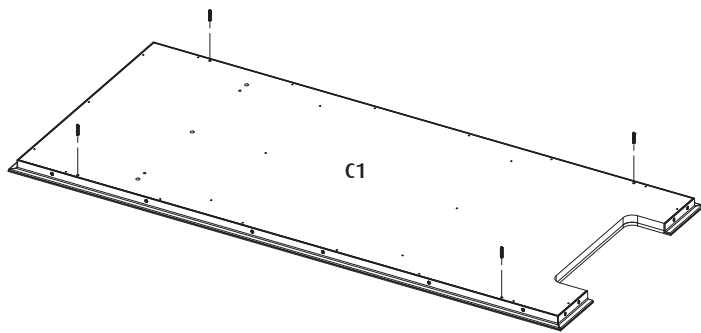


V12x4



ST5x12

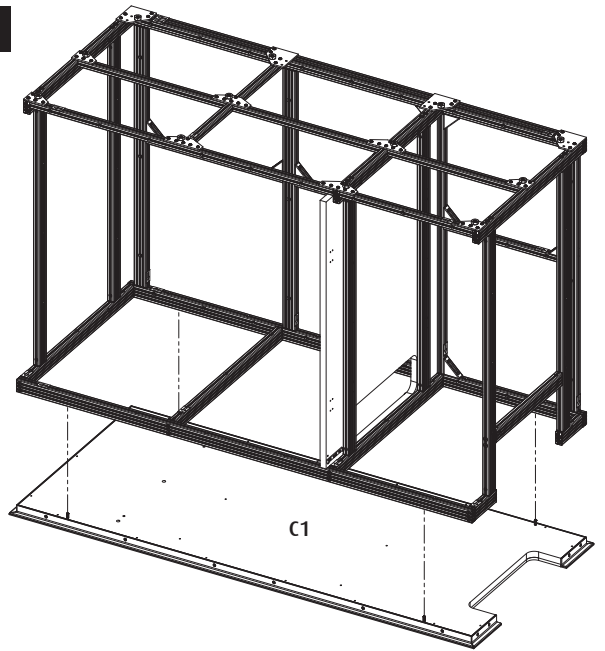
24



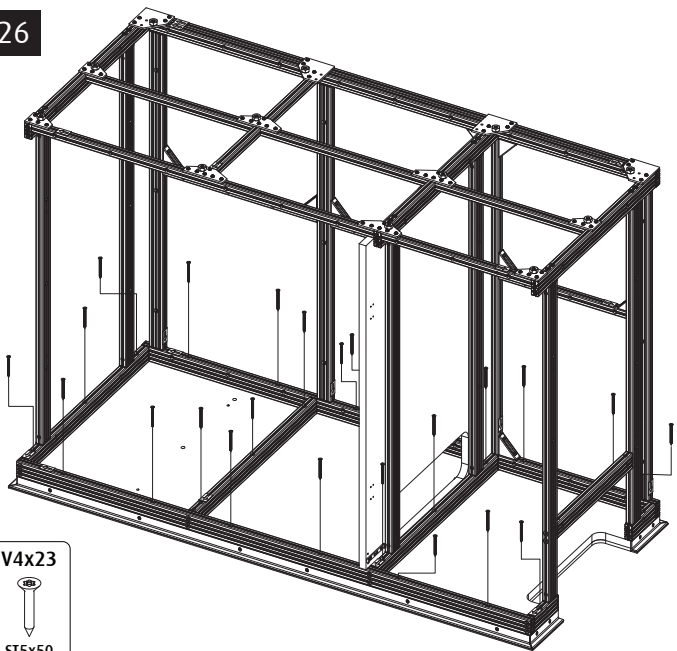
N1x4



25



26

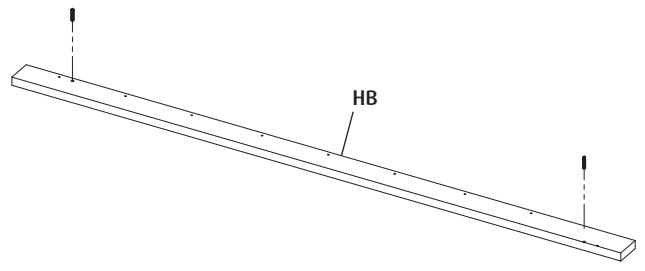


V4x23



ST5x50

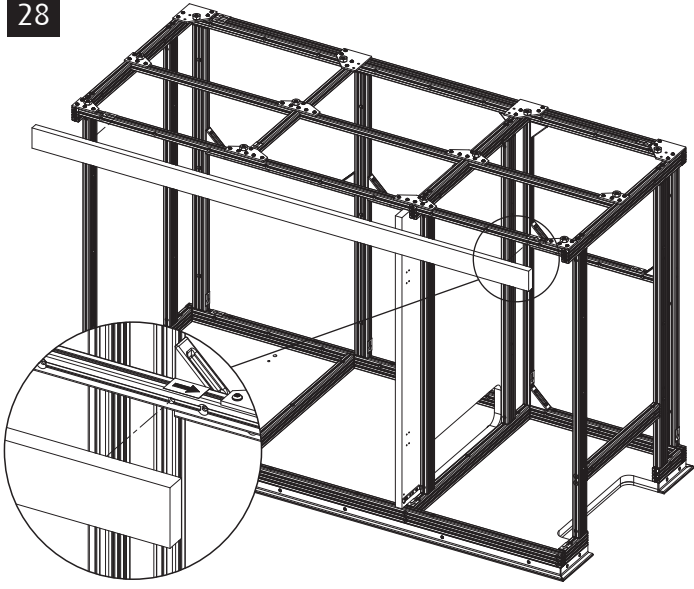
27



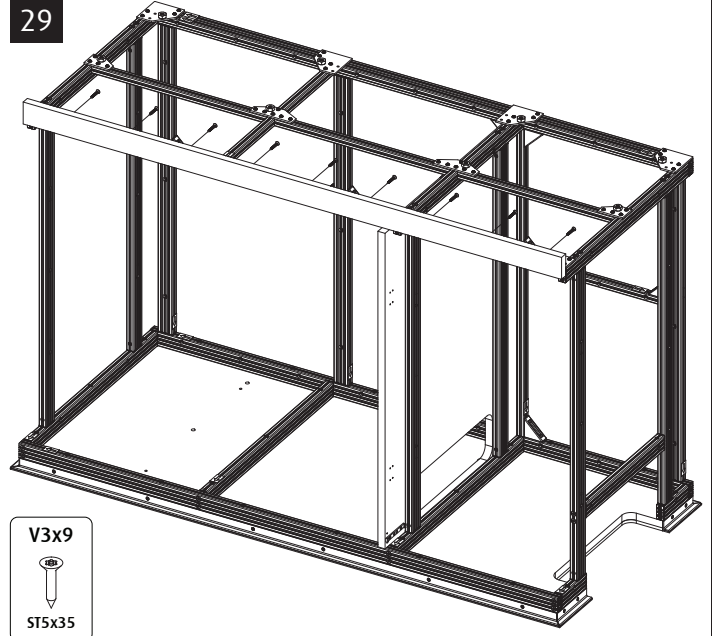
N1x2



28

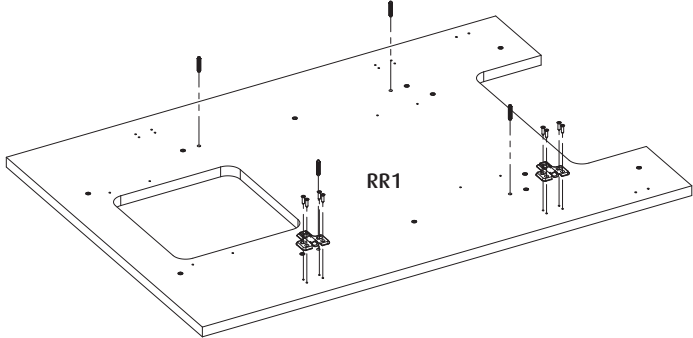


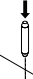
29

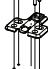


V3x9  
  
 ST5x35

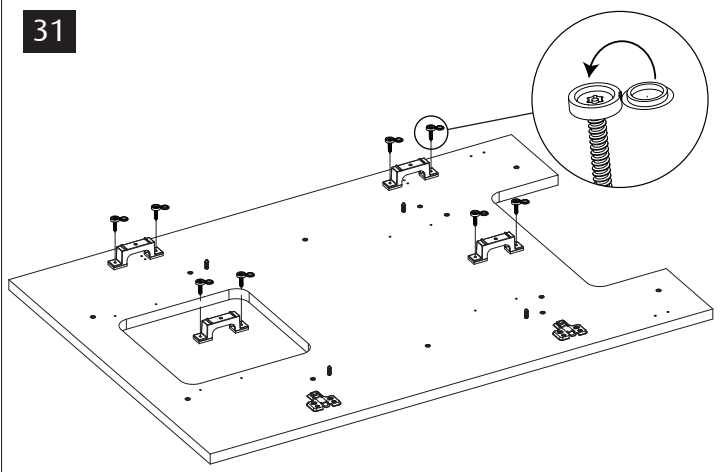
30





N1x4  


V1x8  
  
 L1x2

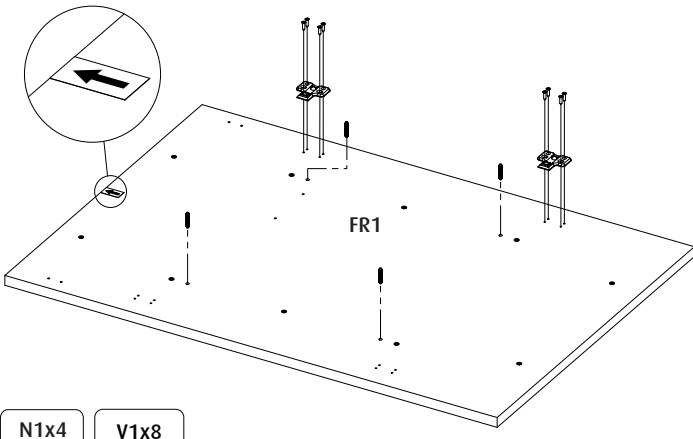
31

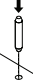


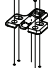
UX4  


V18x8  
  
 Wx8

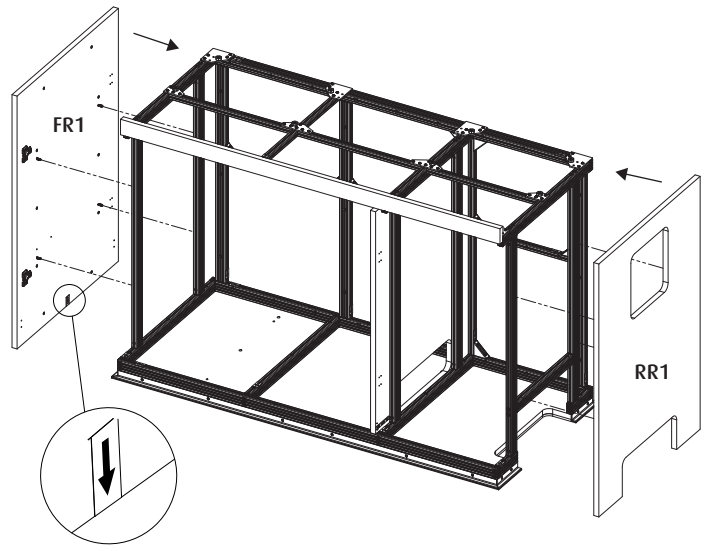
32

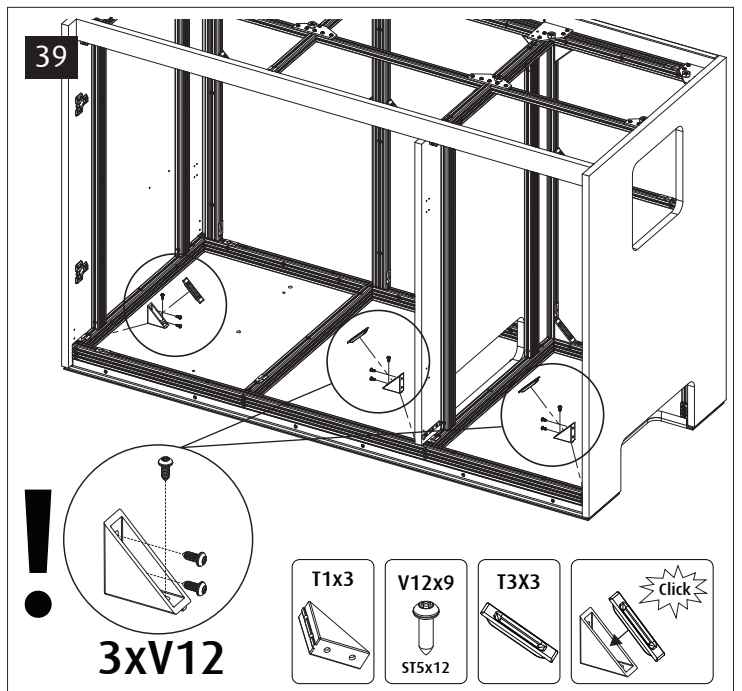
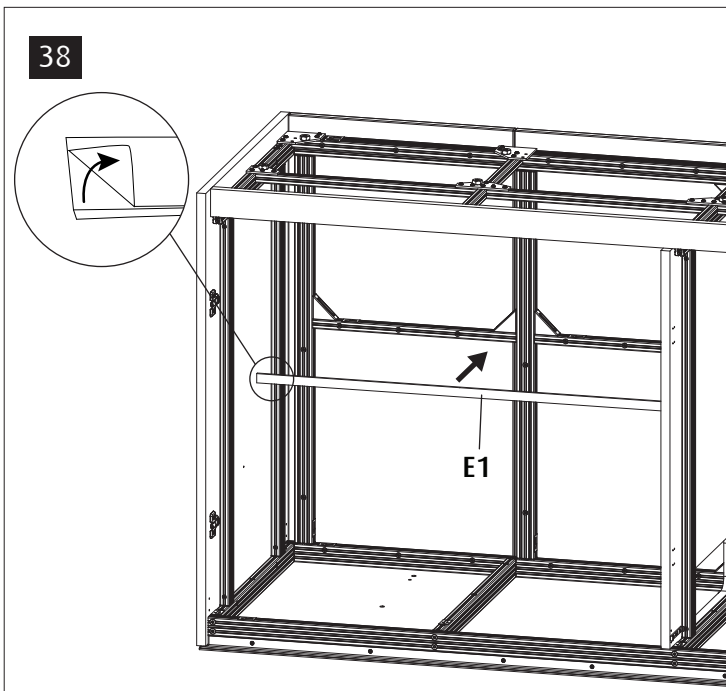
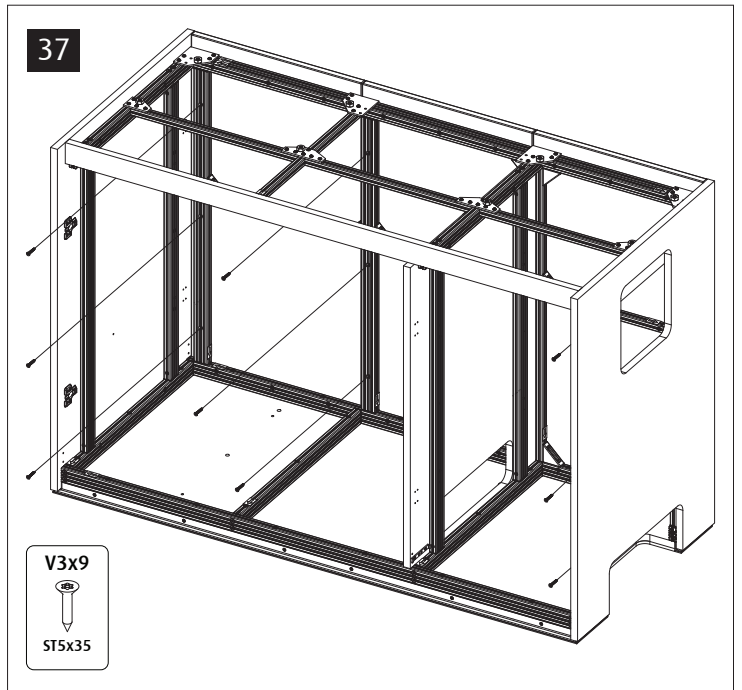
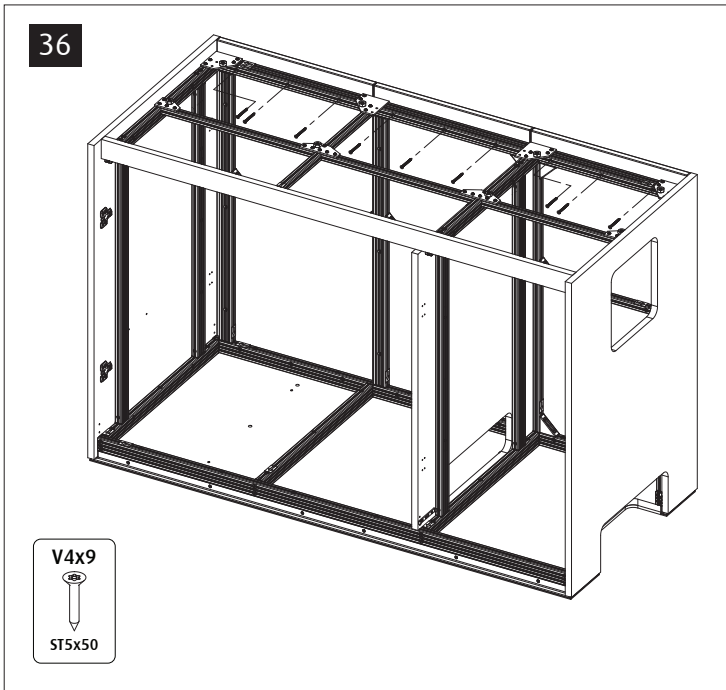
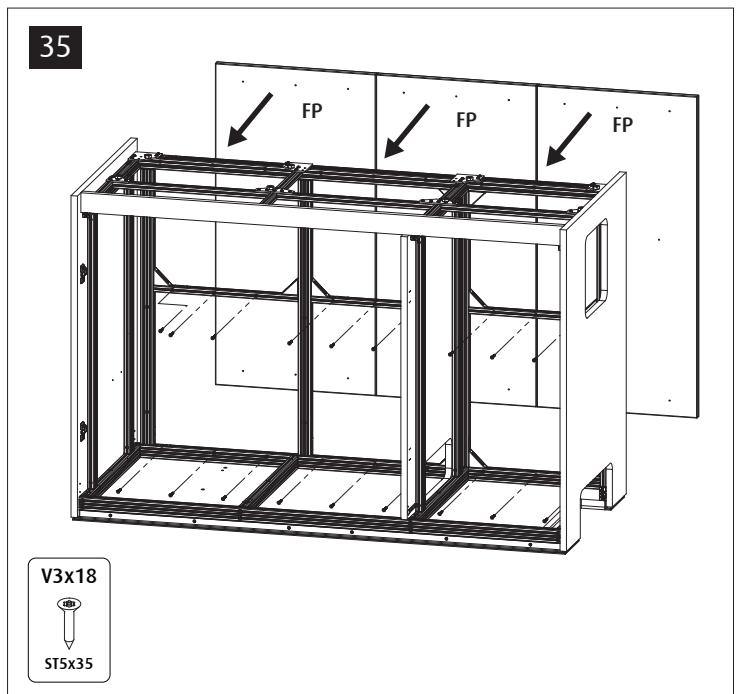
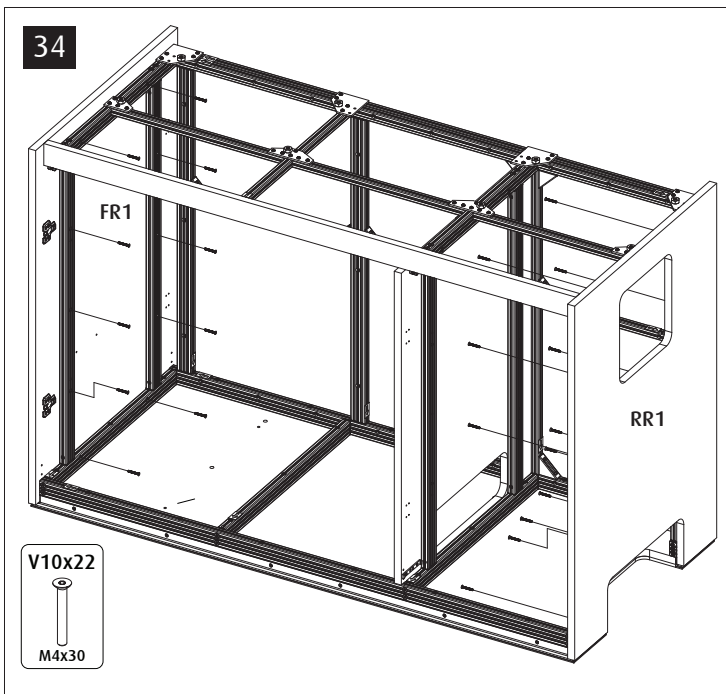


N1x4  


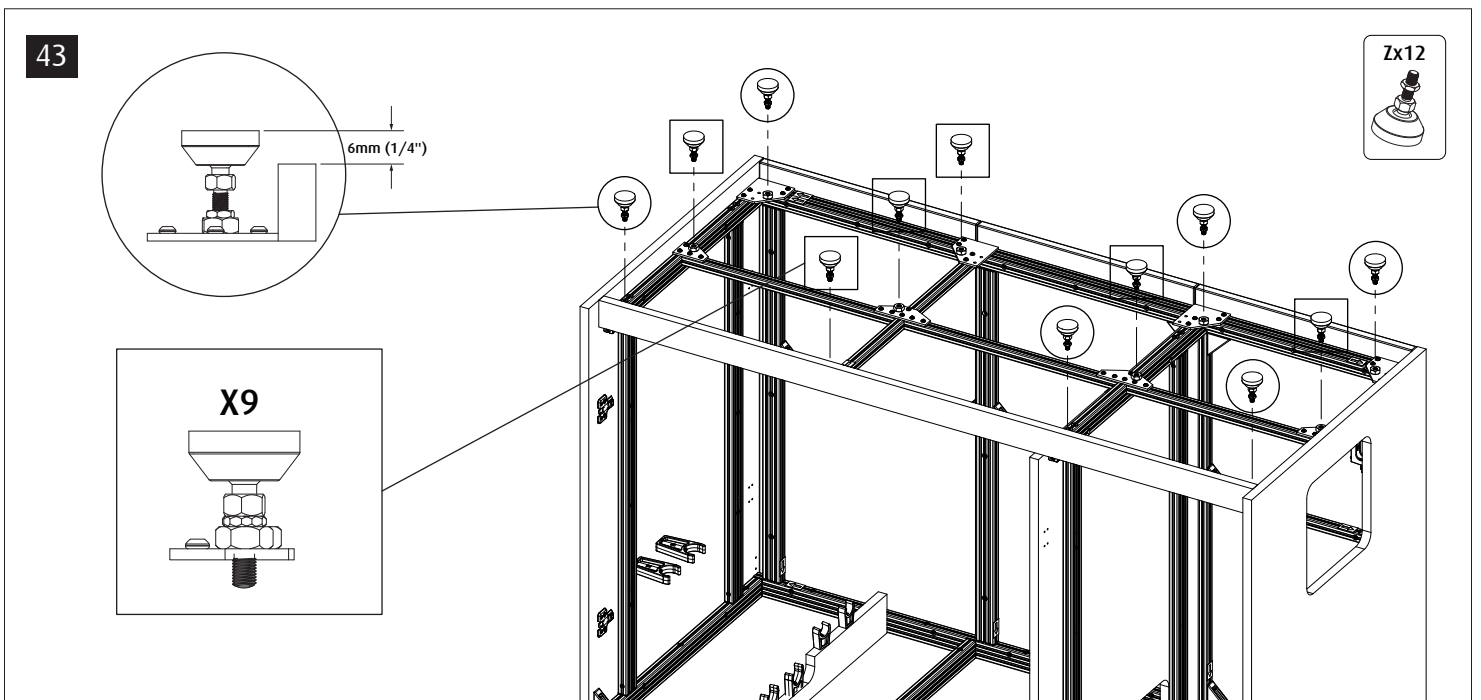
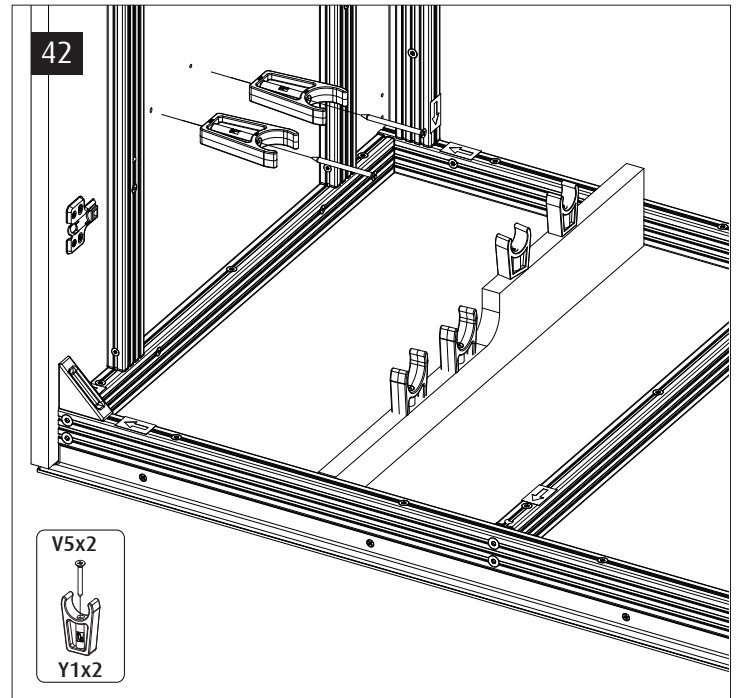
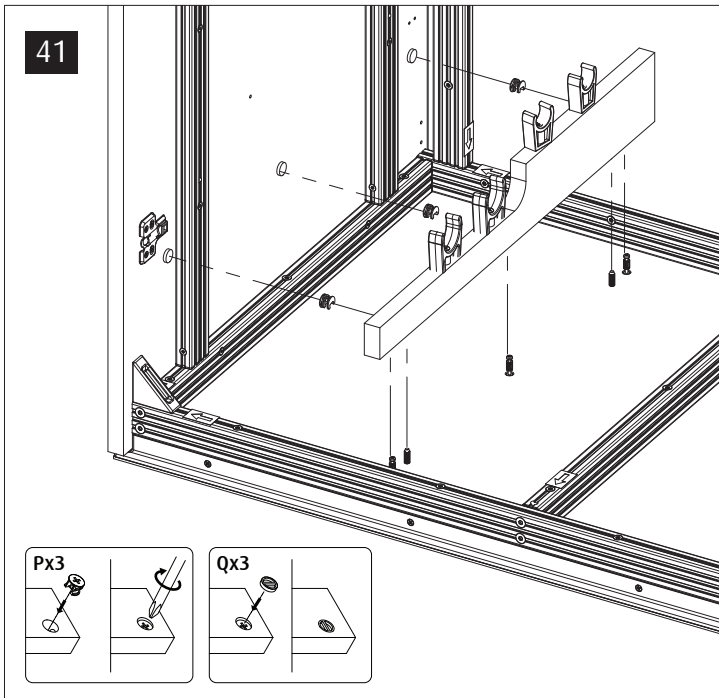
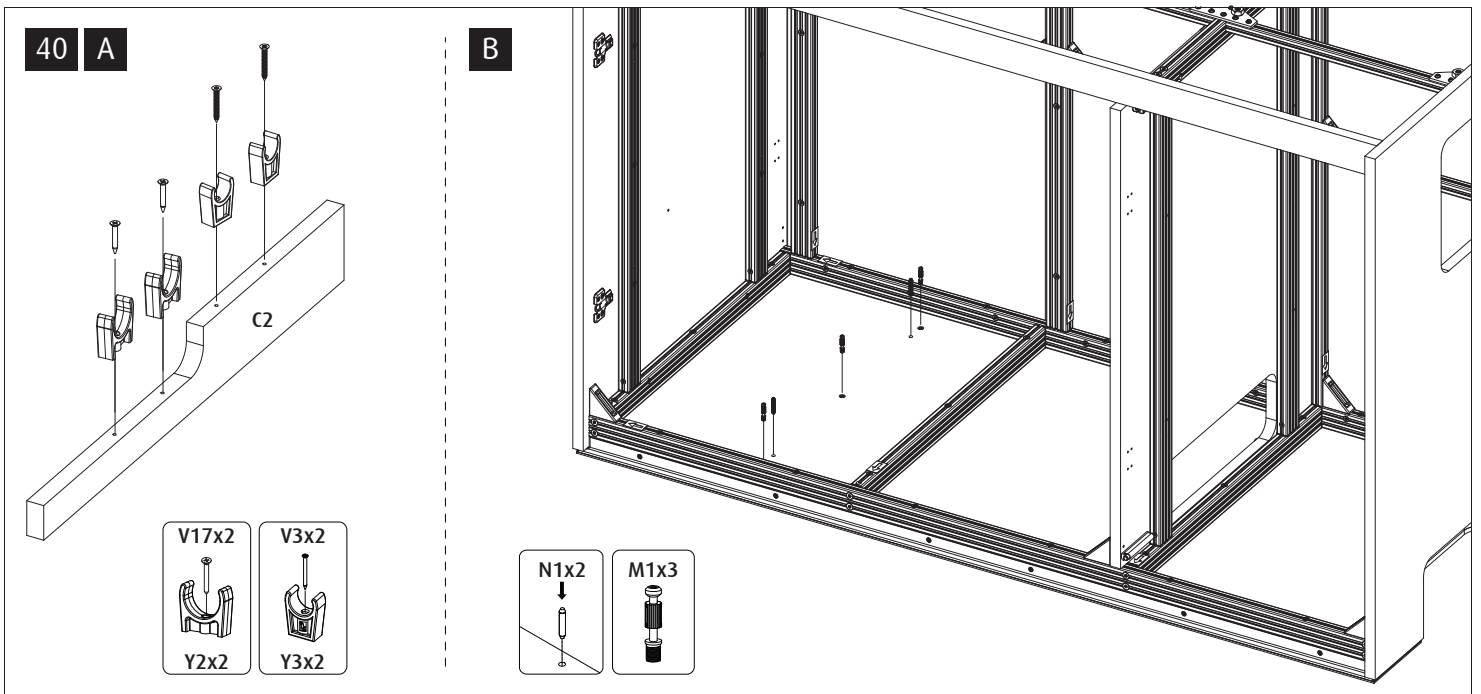
V1x8  
  
 L1x2

33

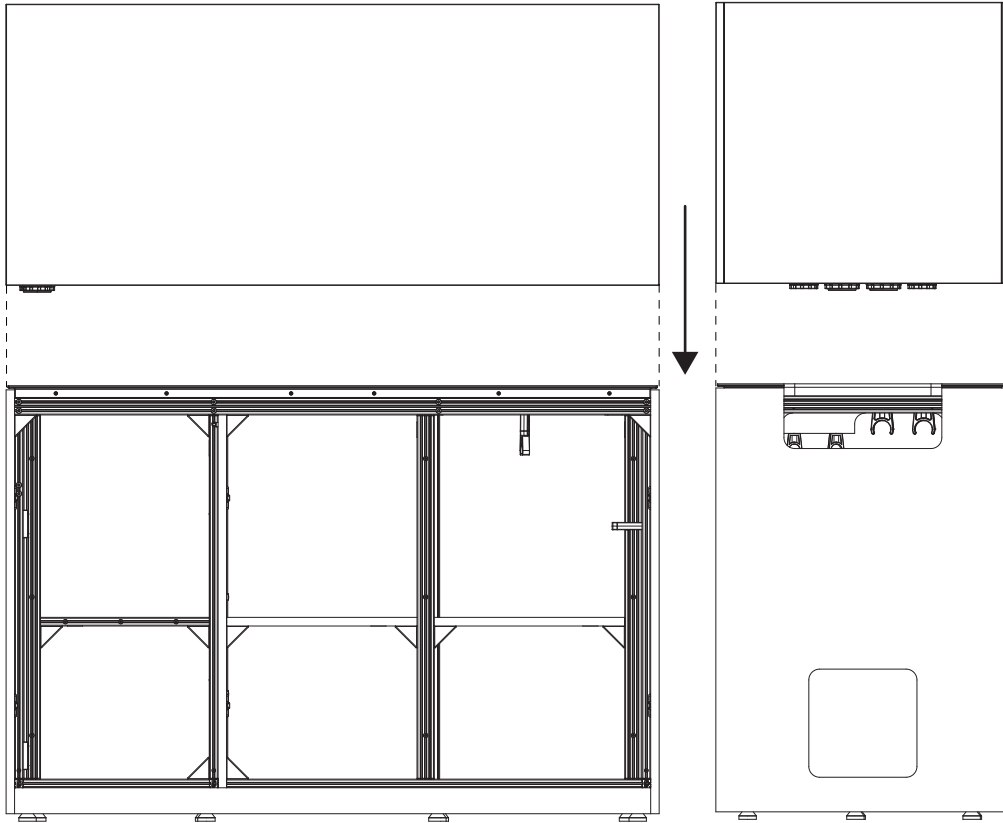






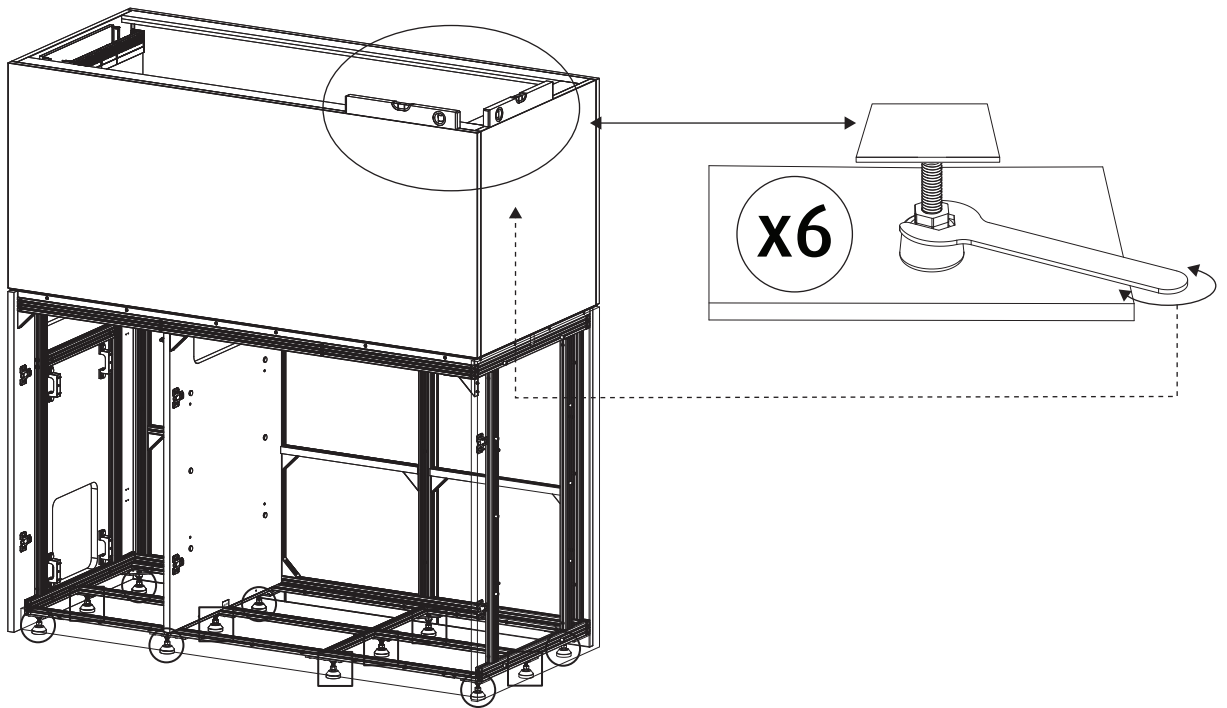


44



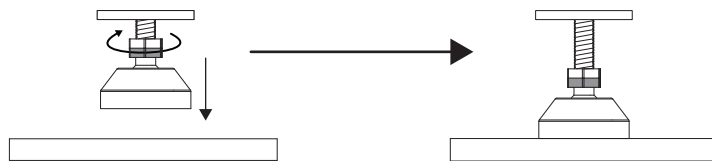
45

A



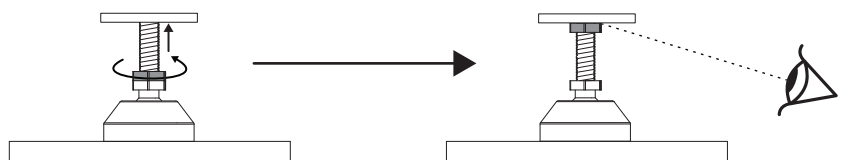
B

x6



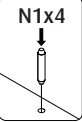
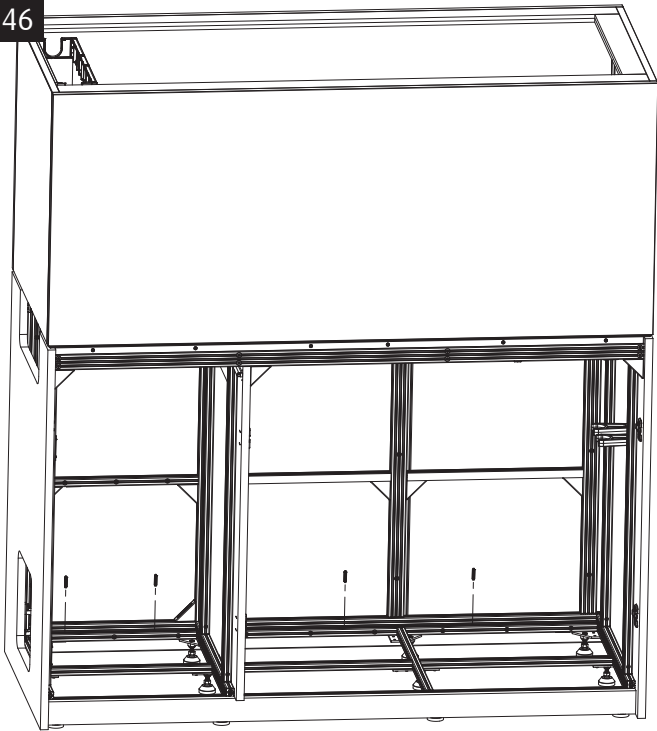
C

x12

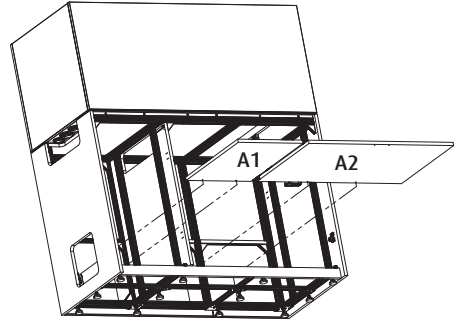
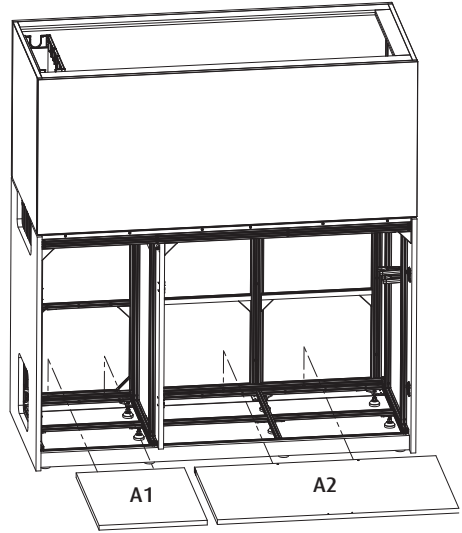




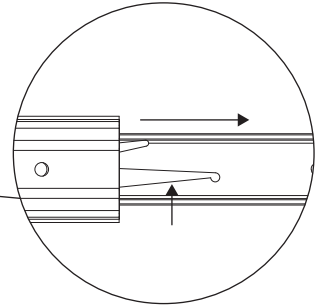
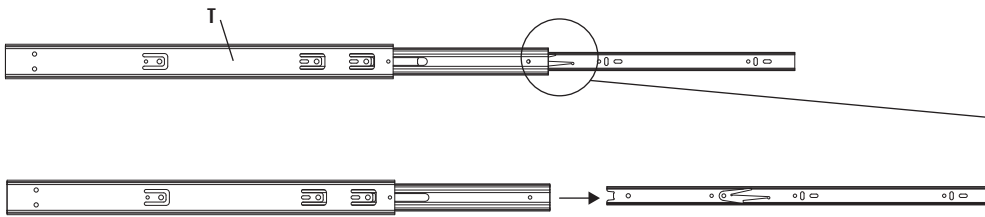
46



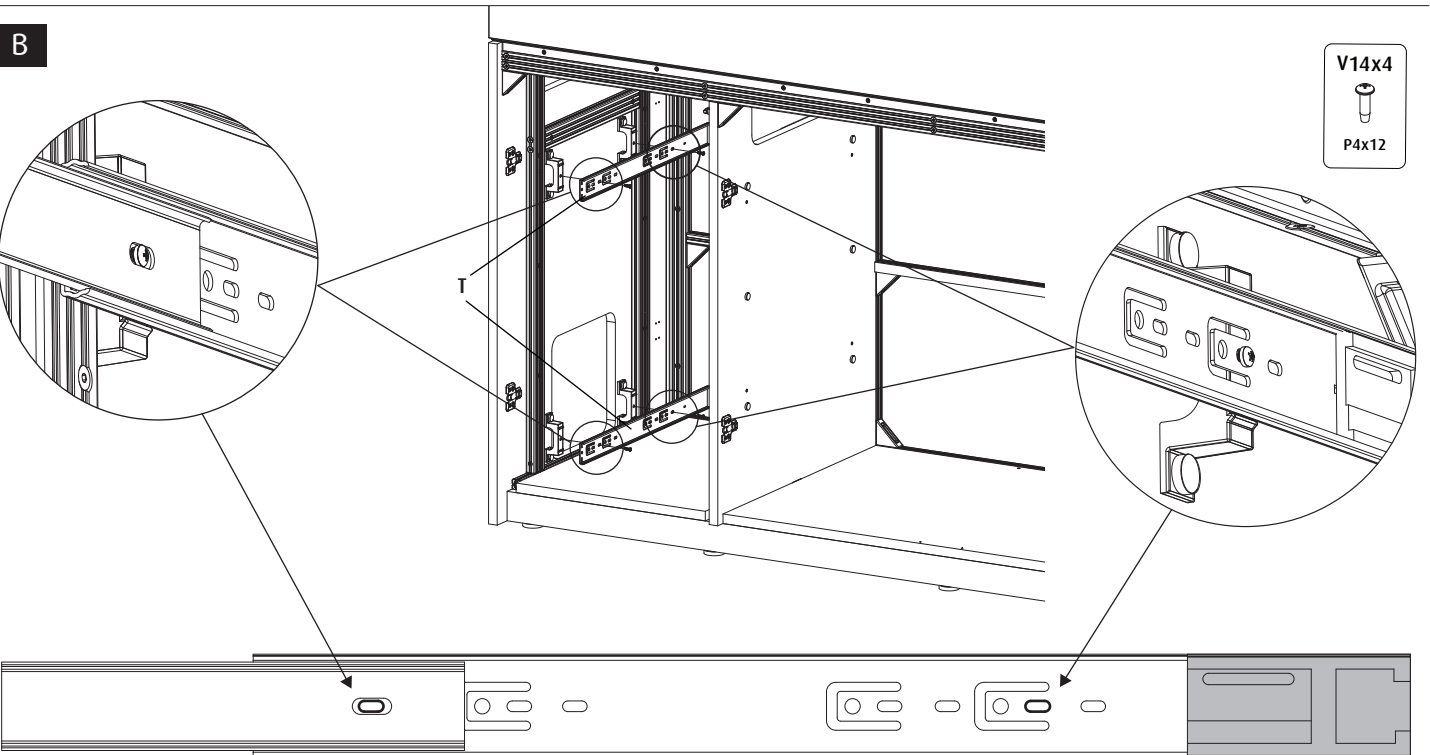
47



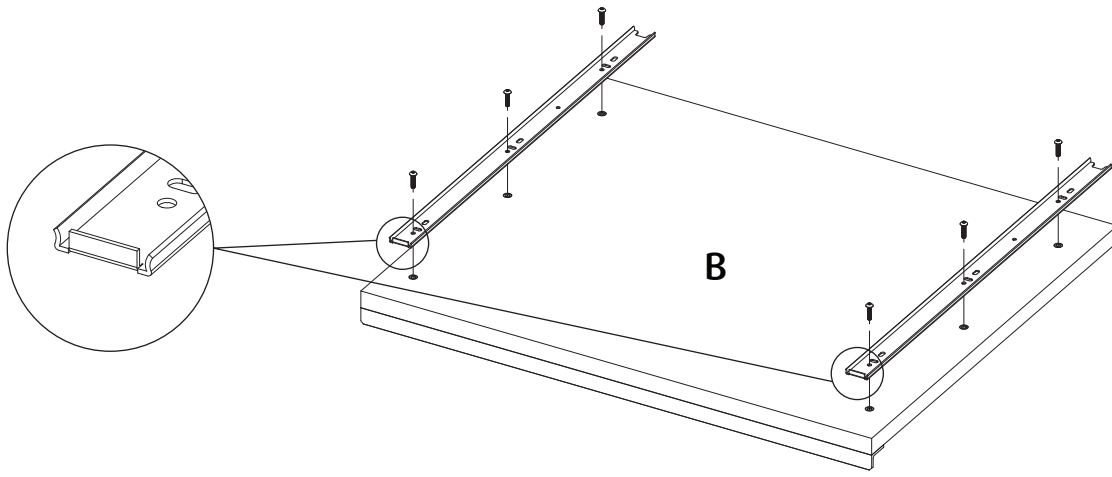
48 A



B



49

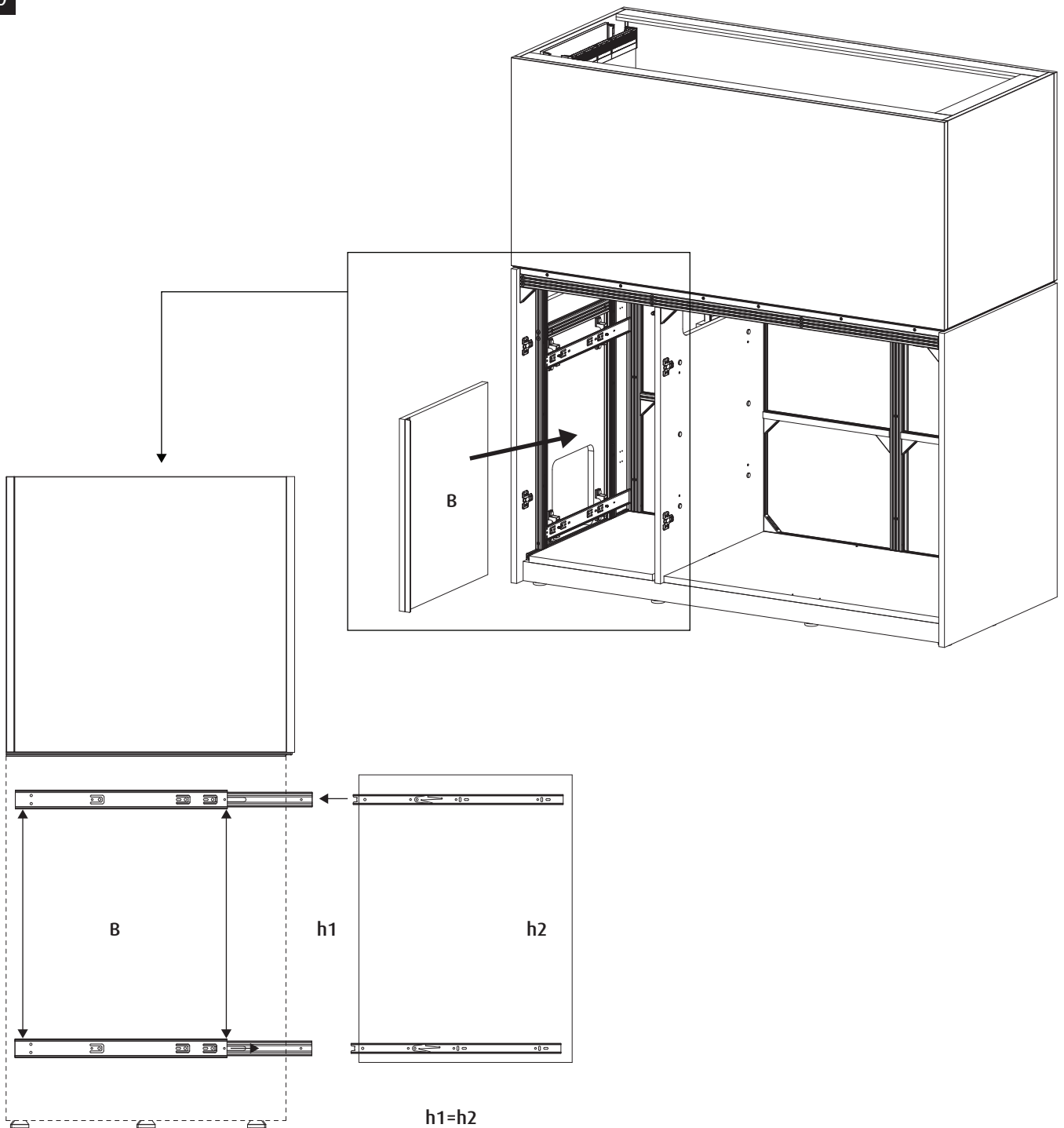


V16x6

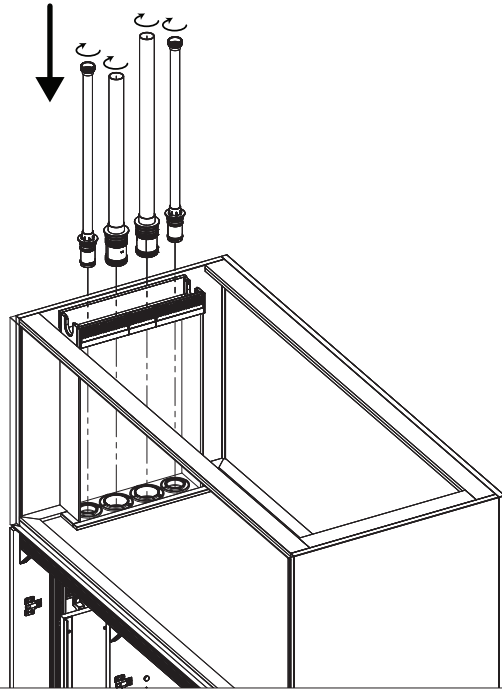


M4x12

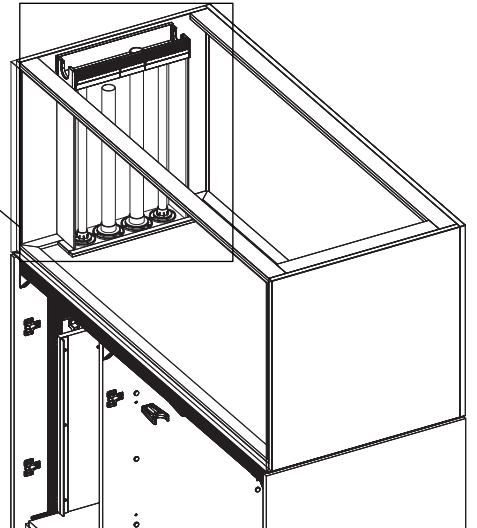
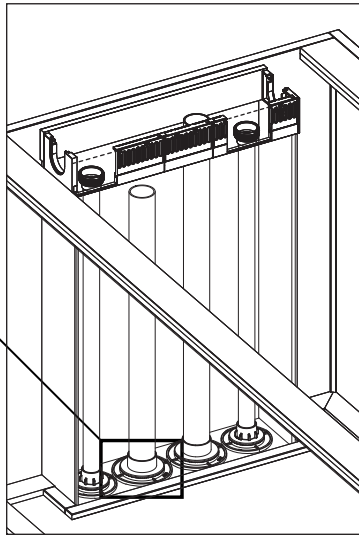
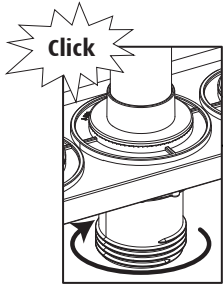
50



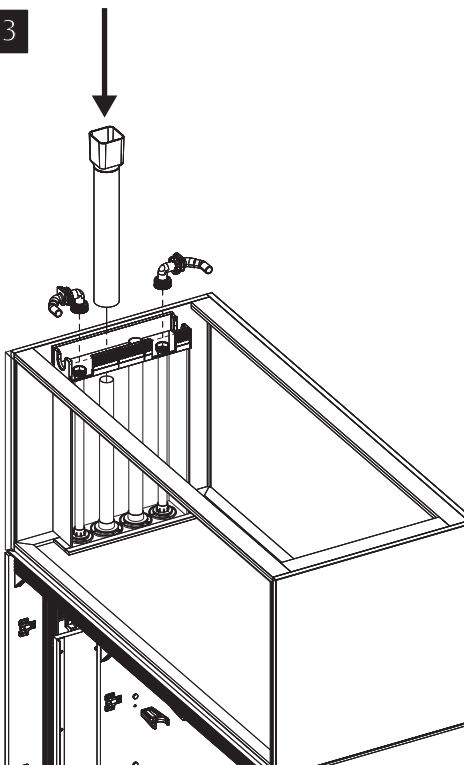
51



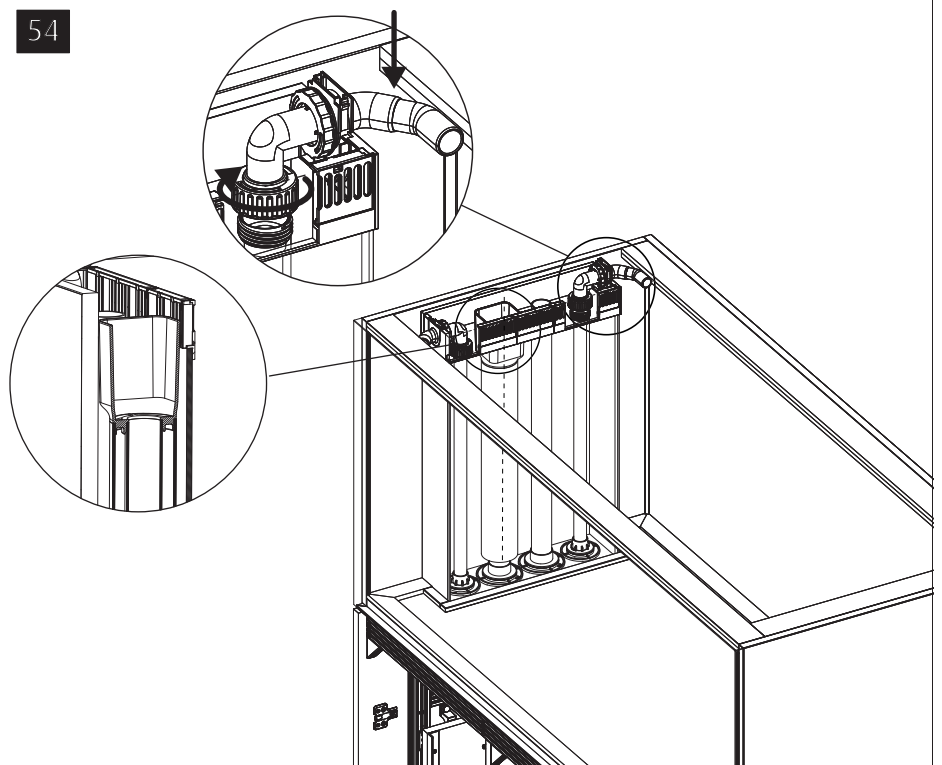
52



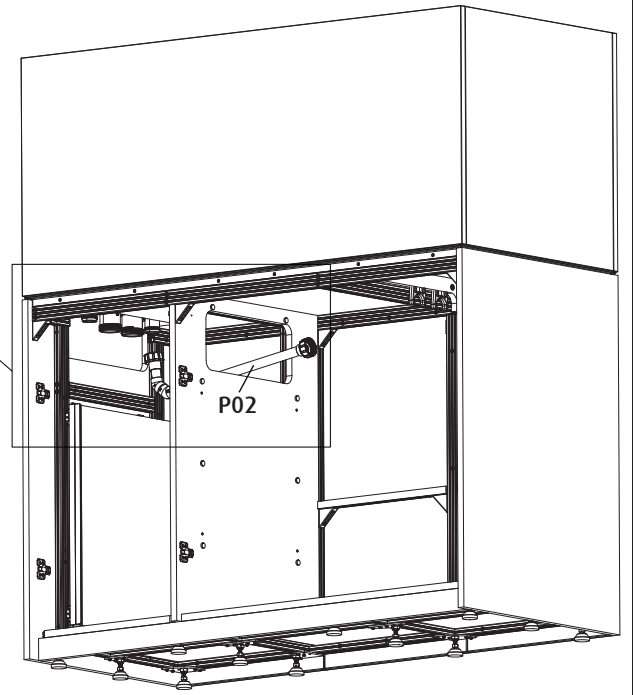
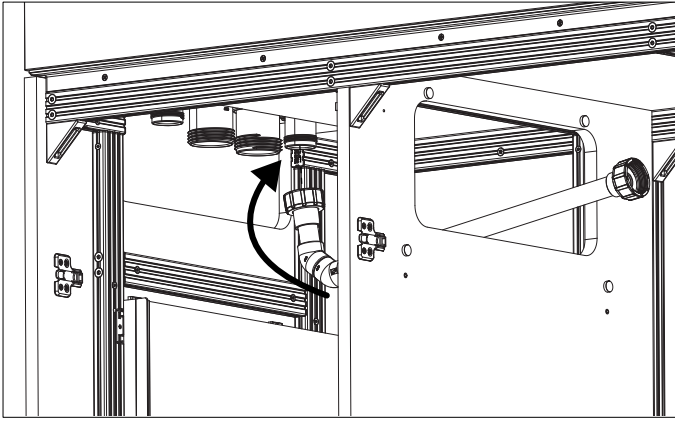
53



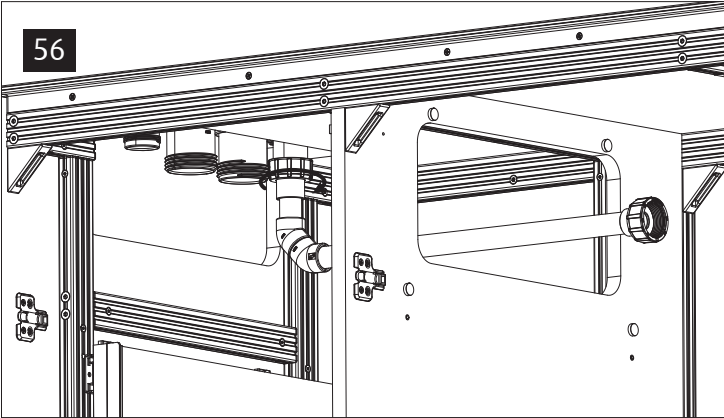
54



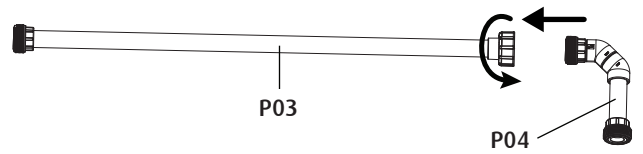
55



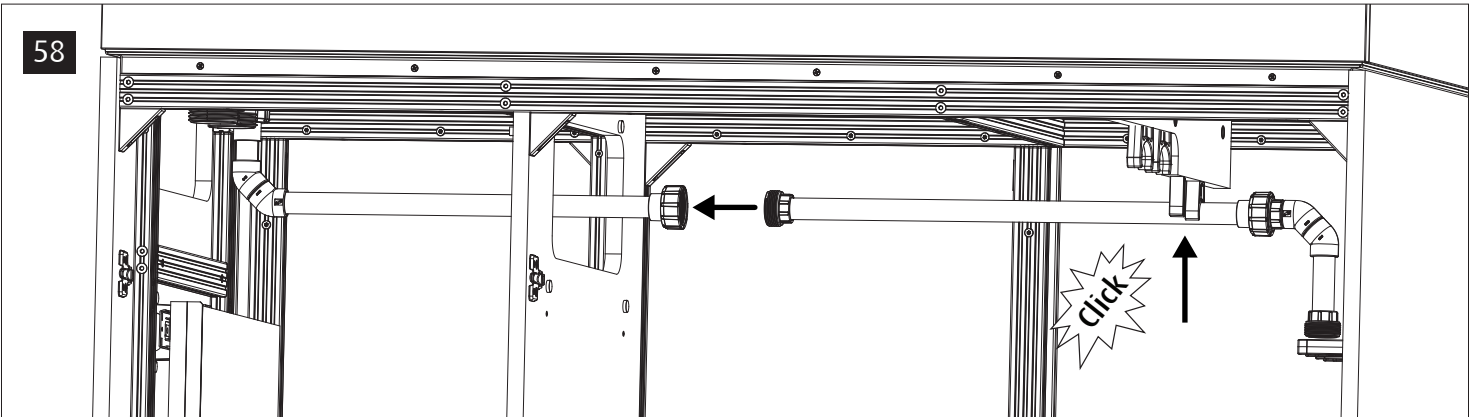
56



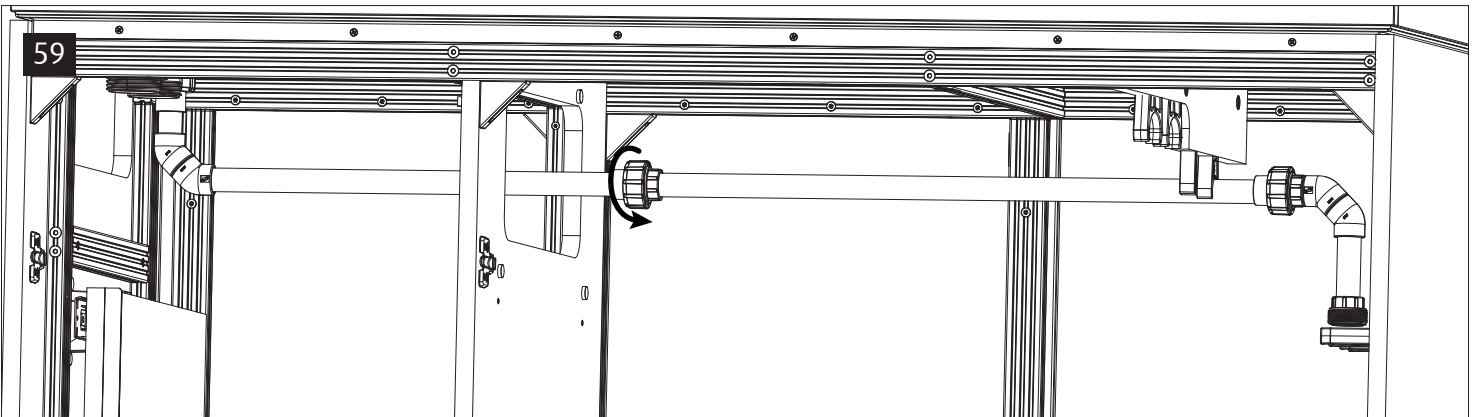
57

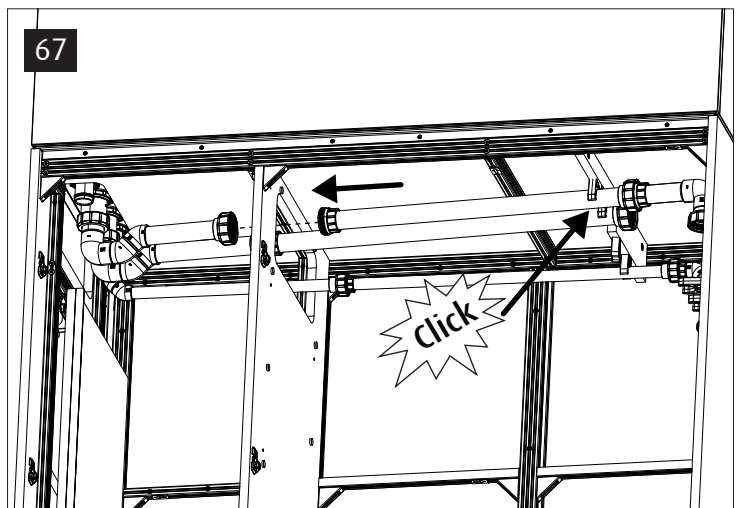
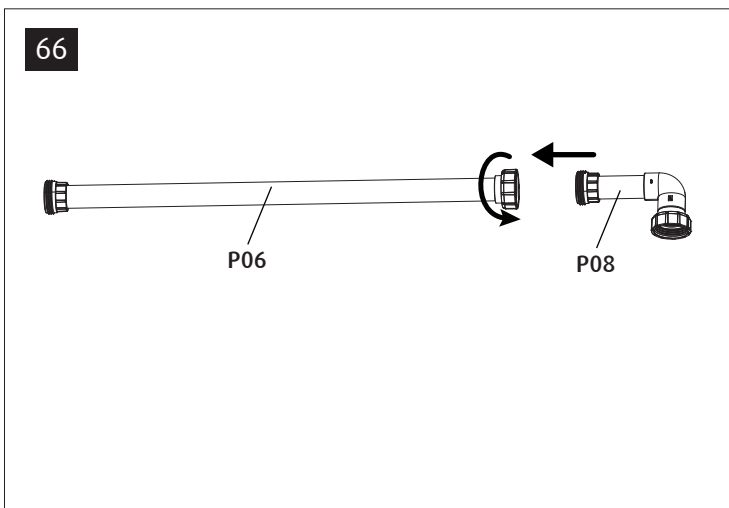
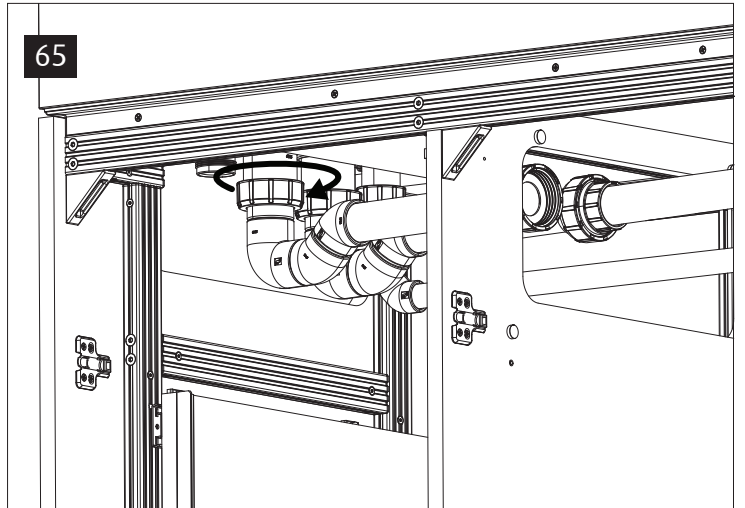
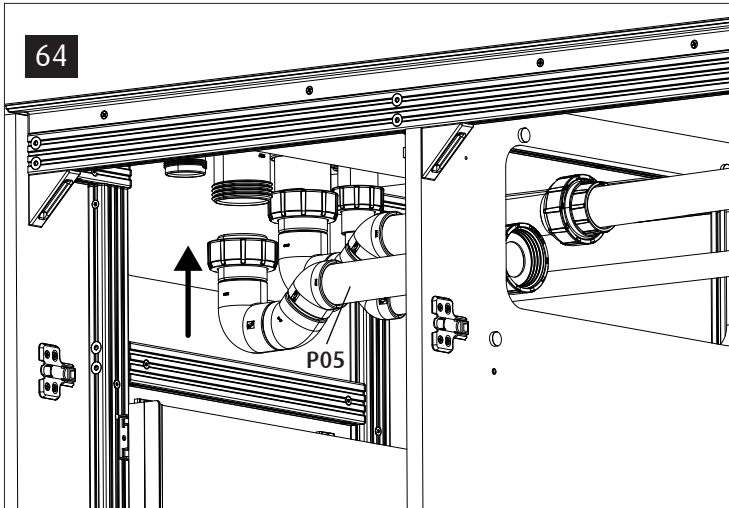
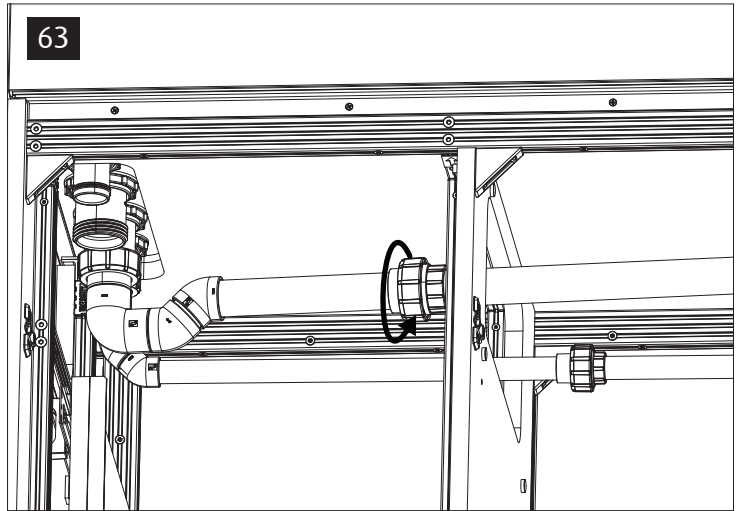
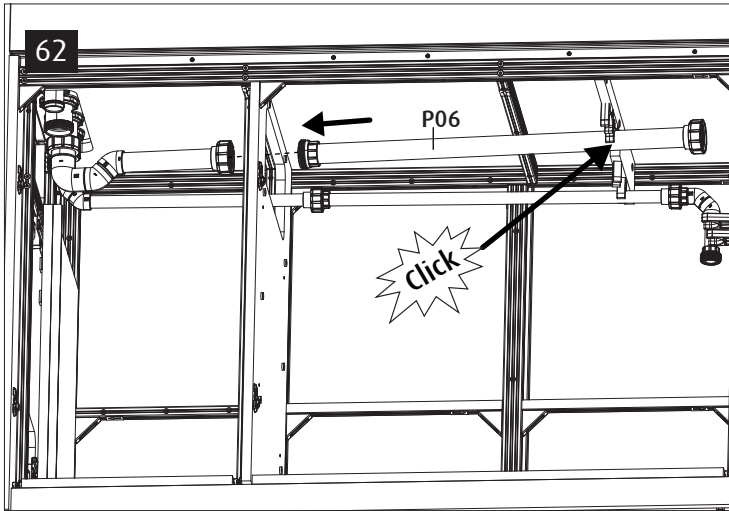
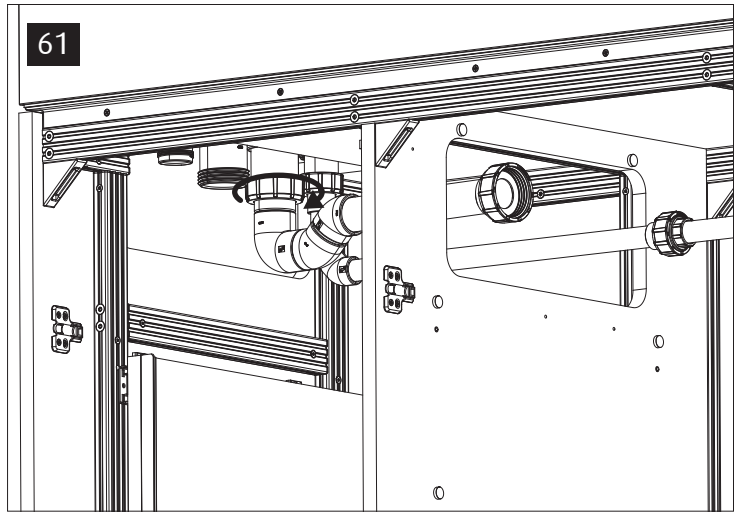
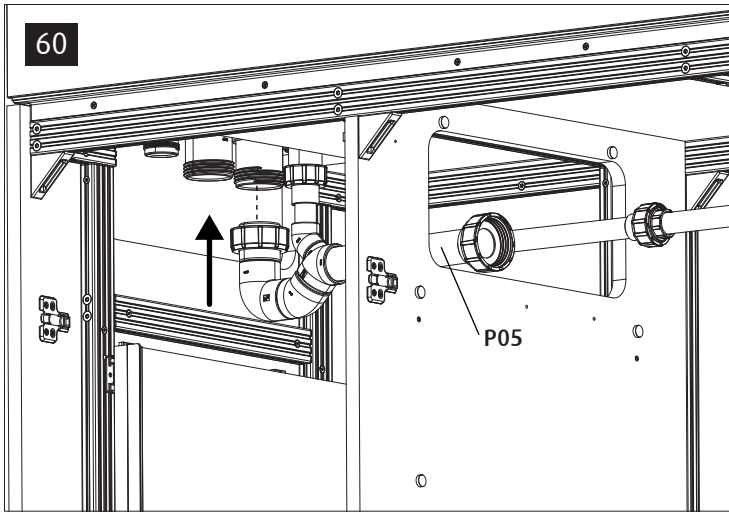


58

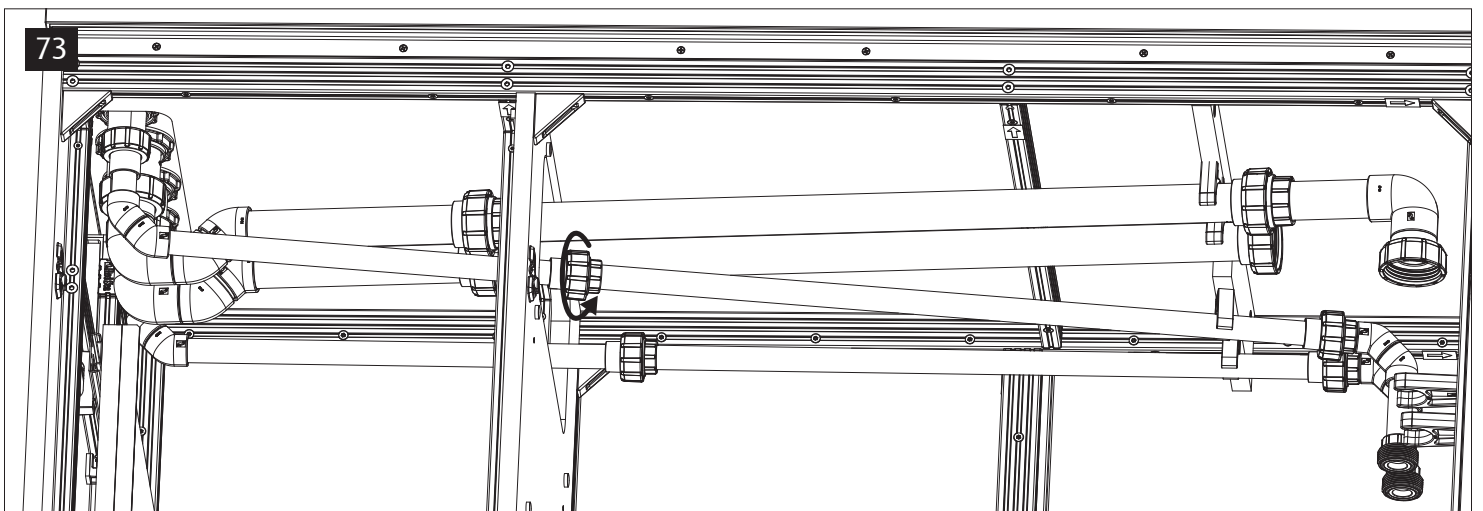
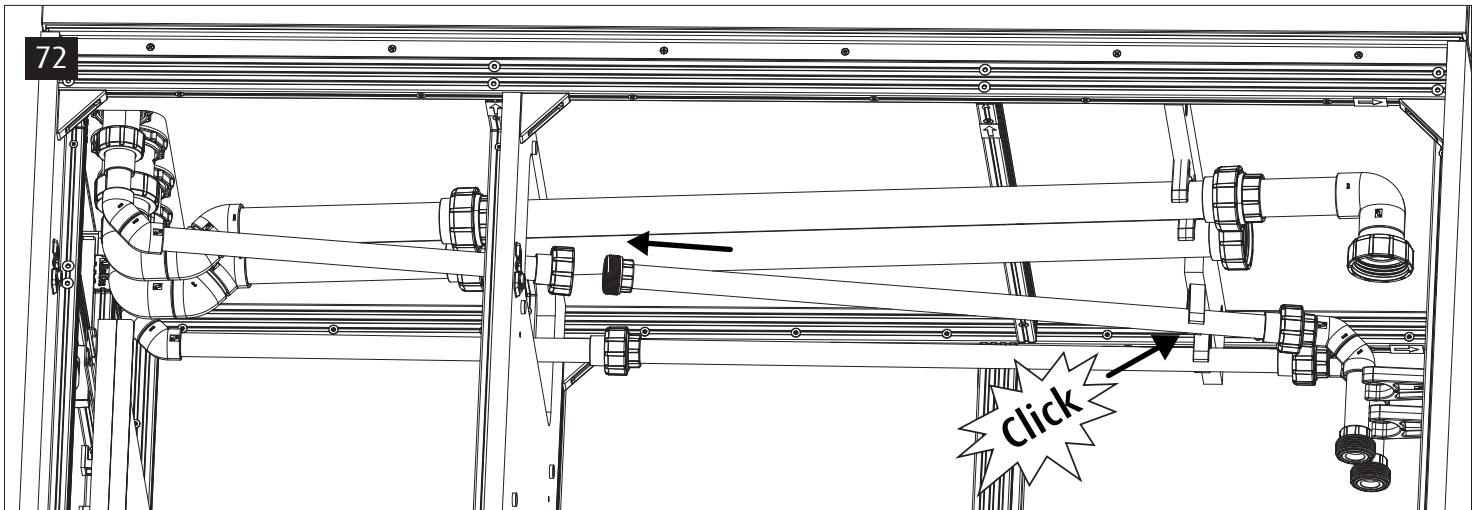
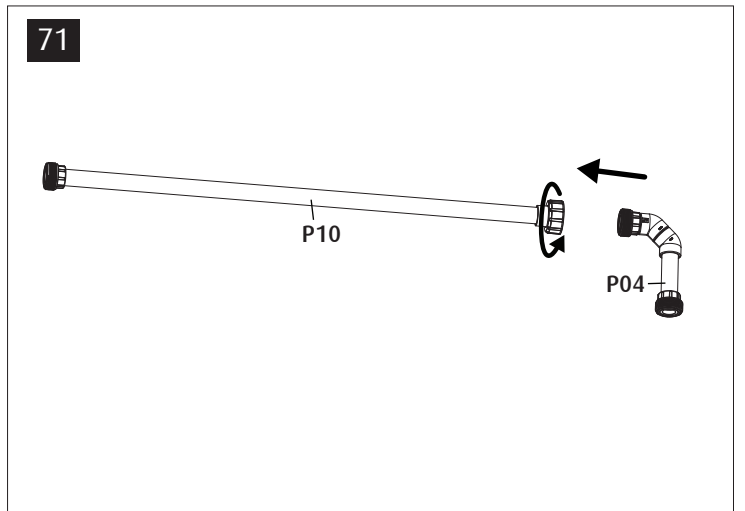
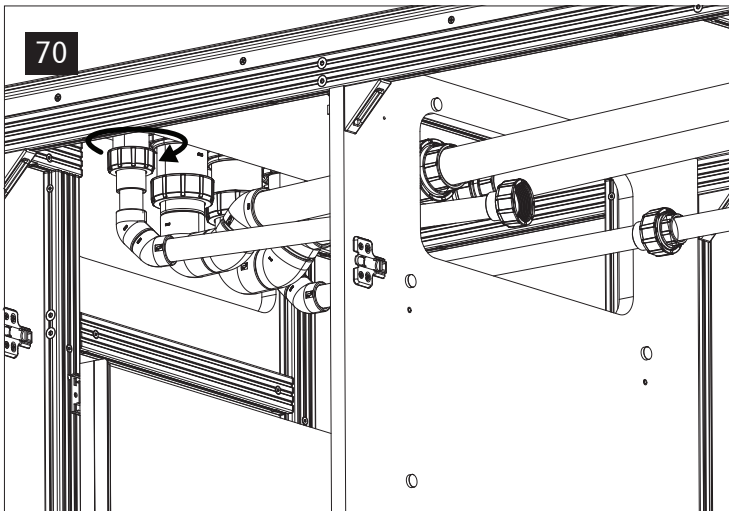
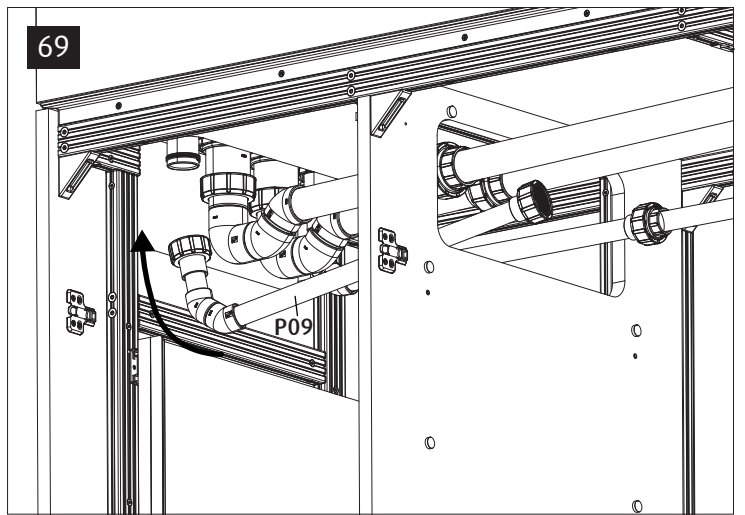
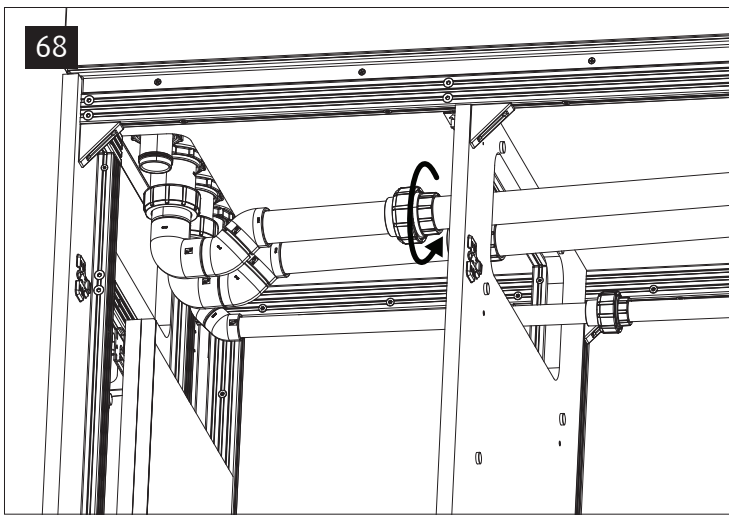


59

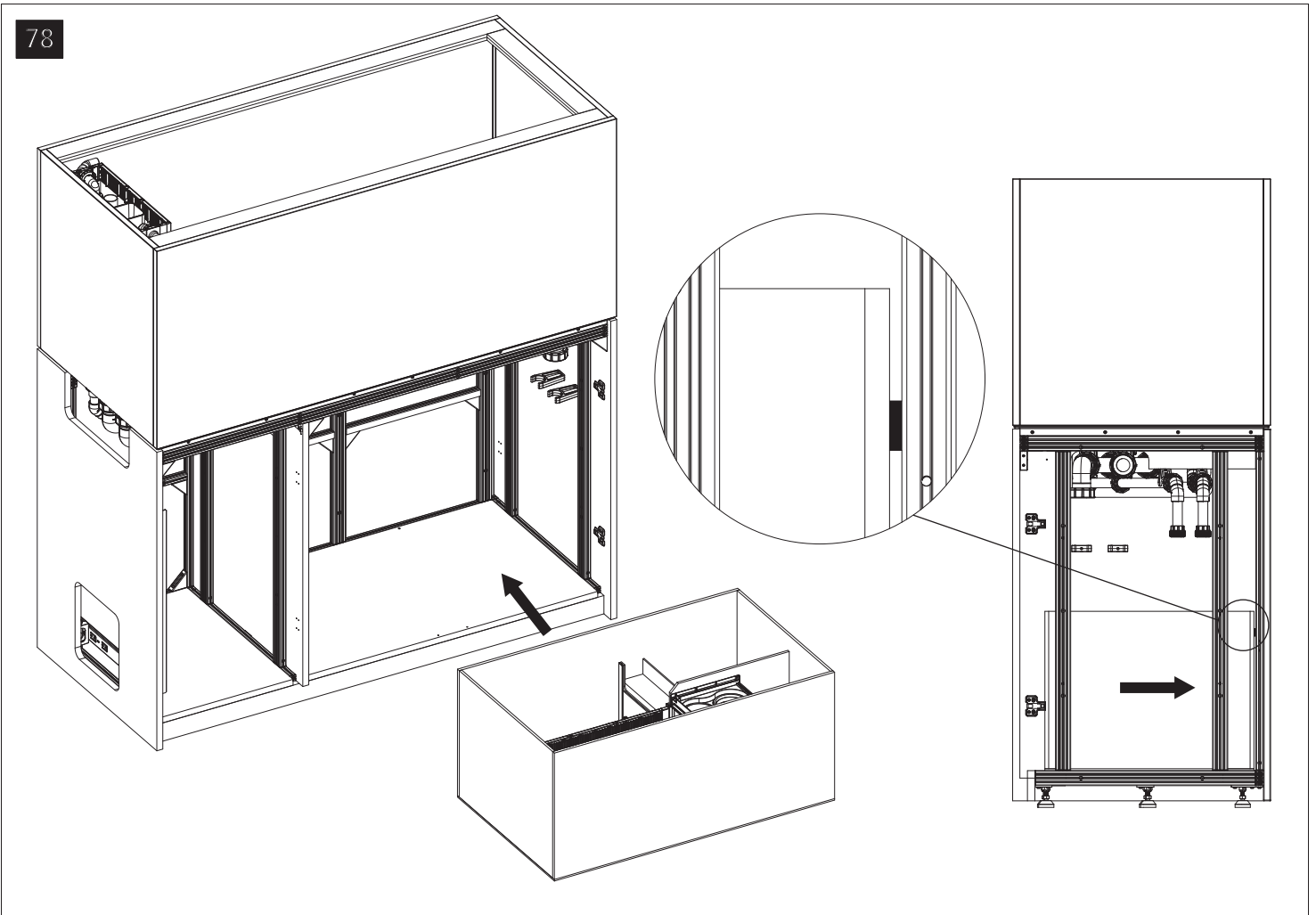
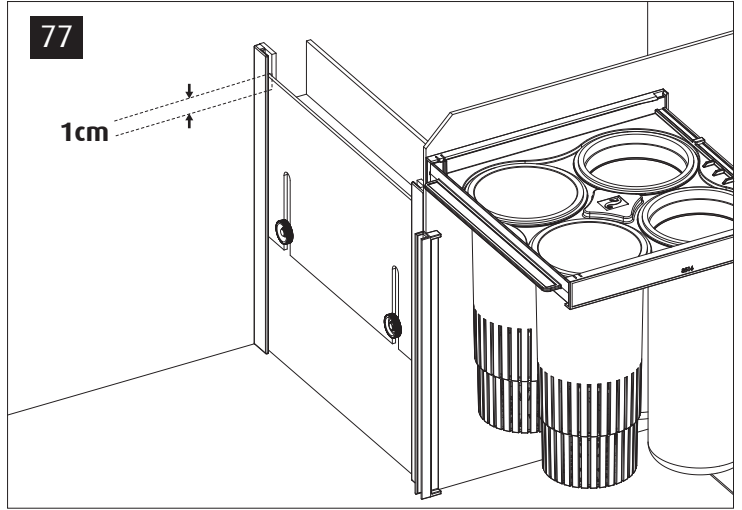
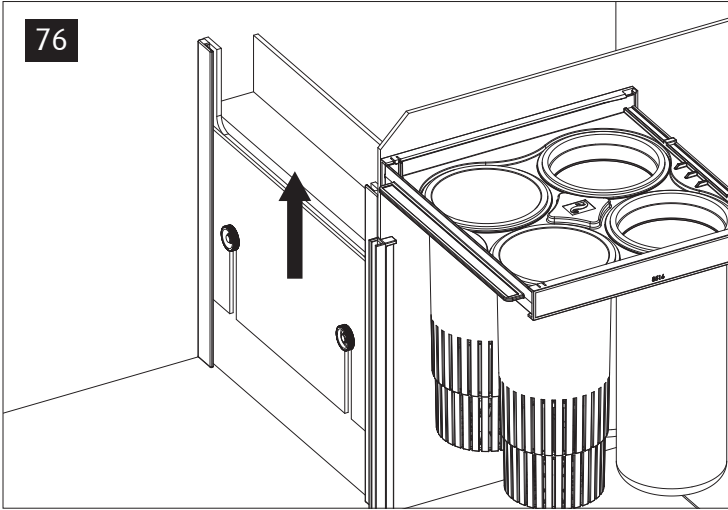
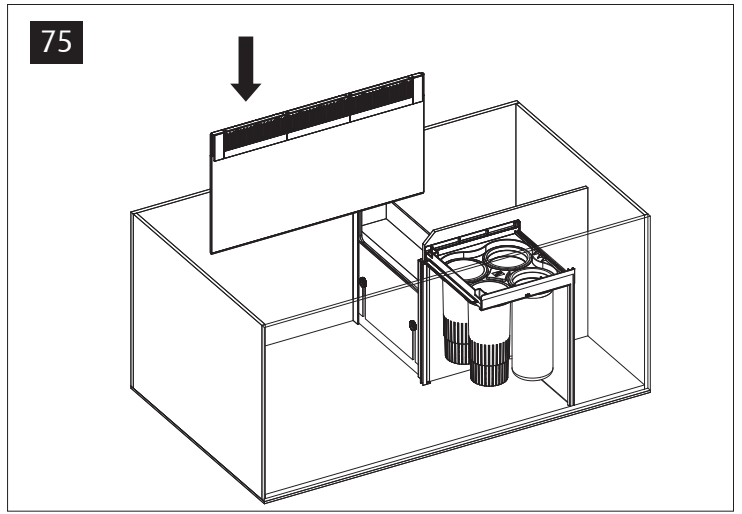
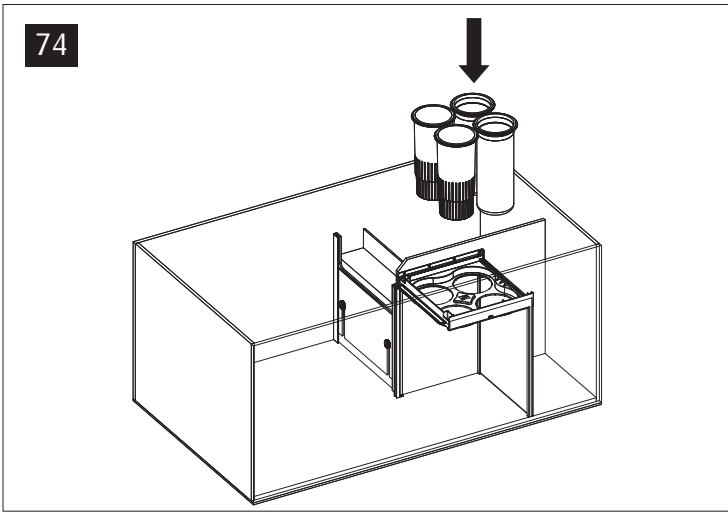




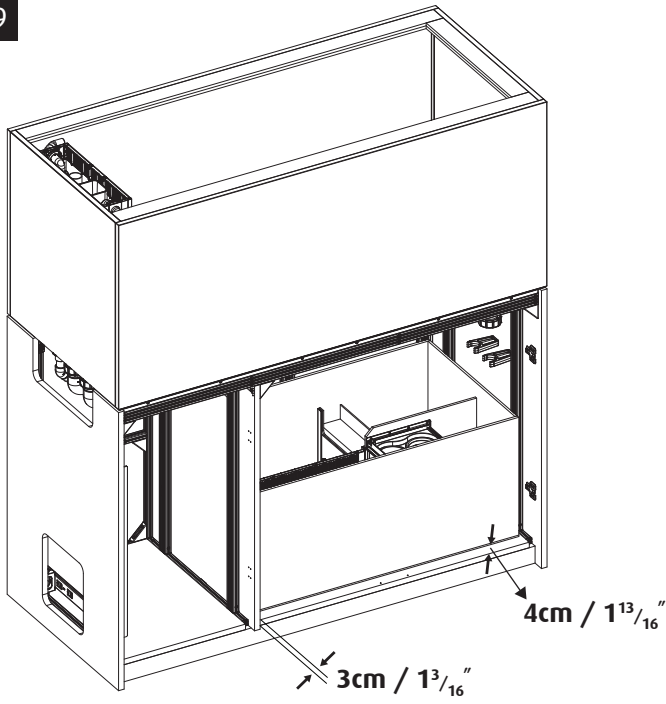




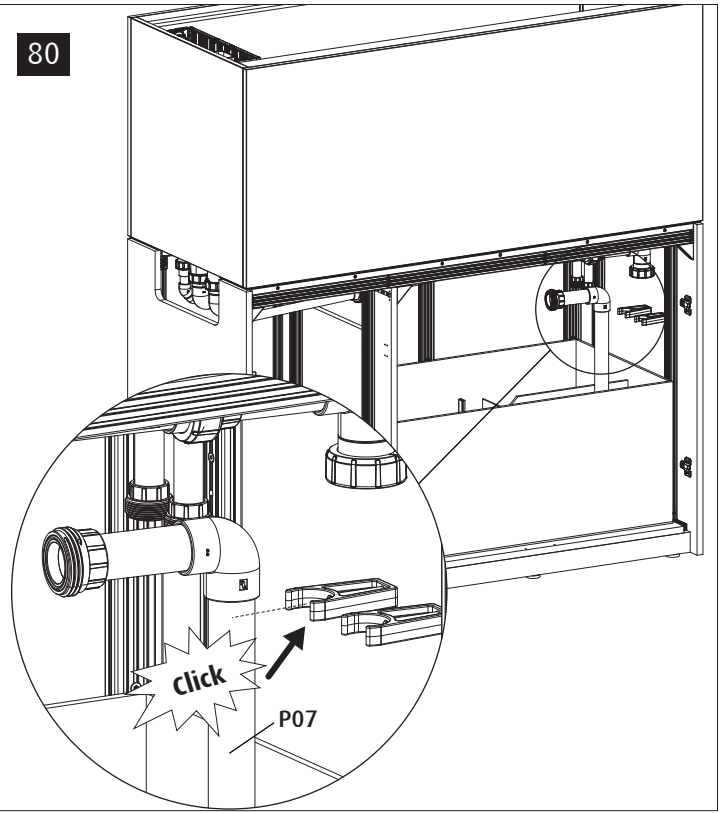




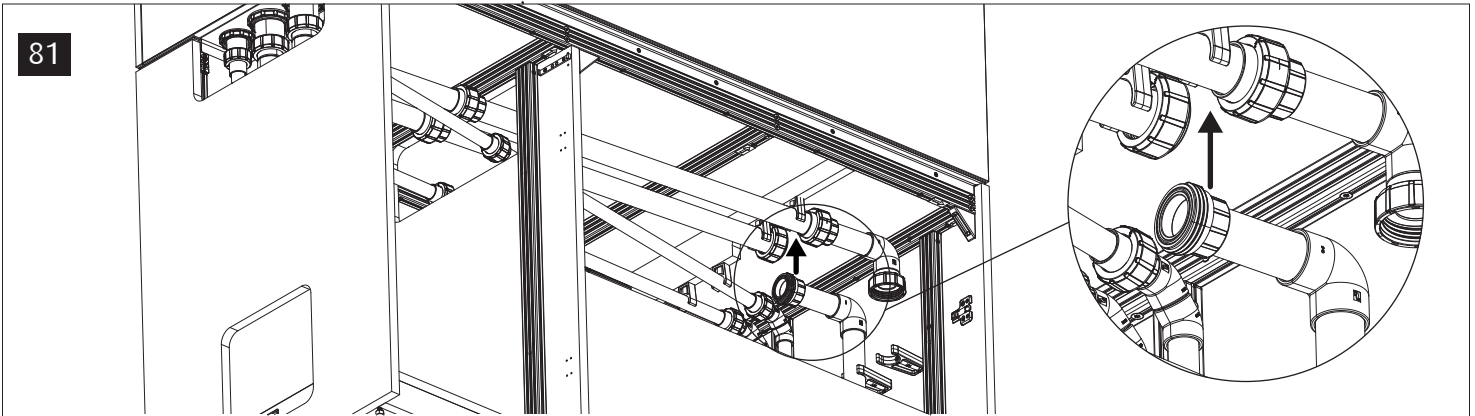
79



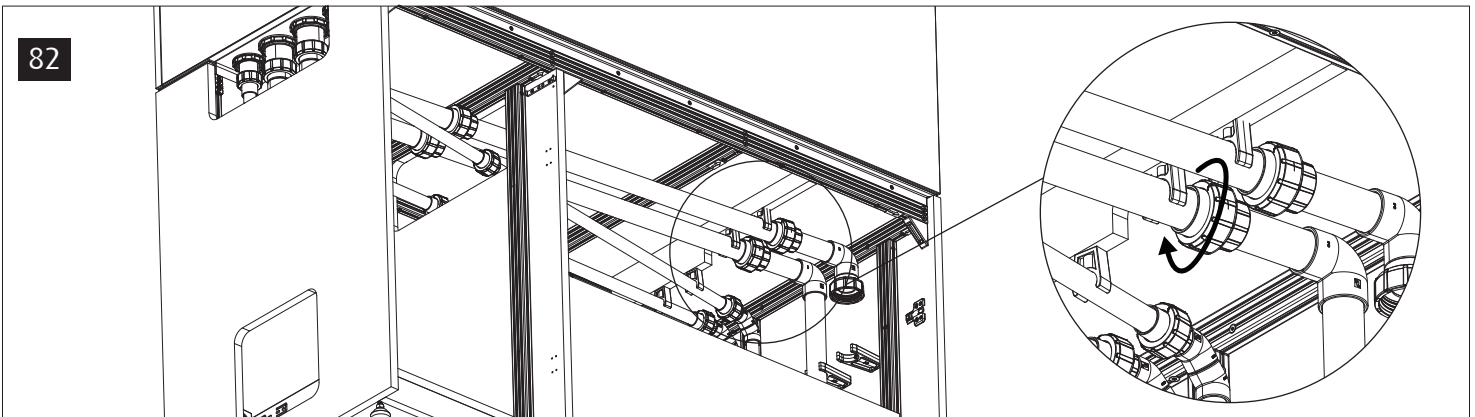
80



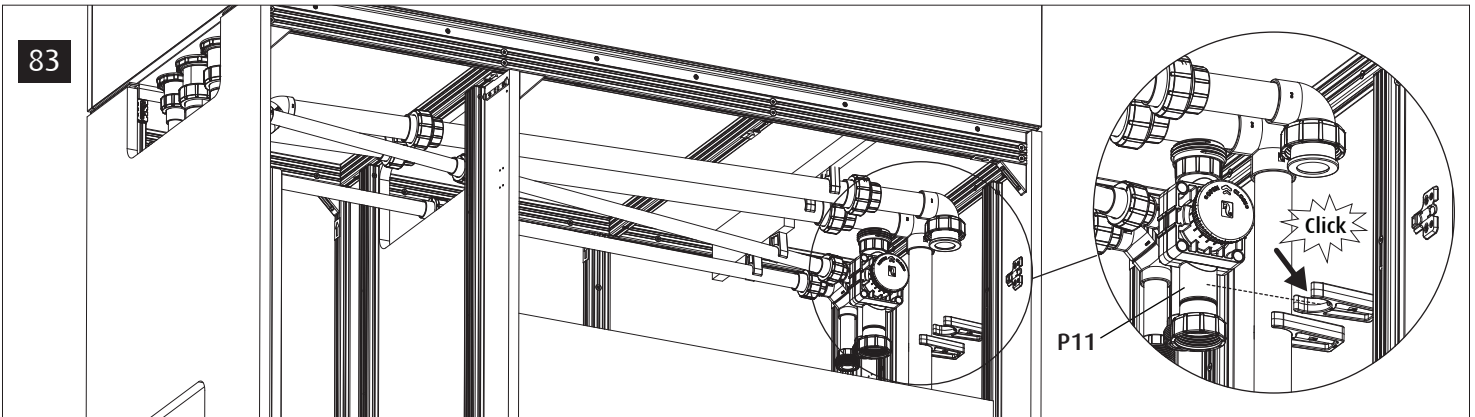
81

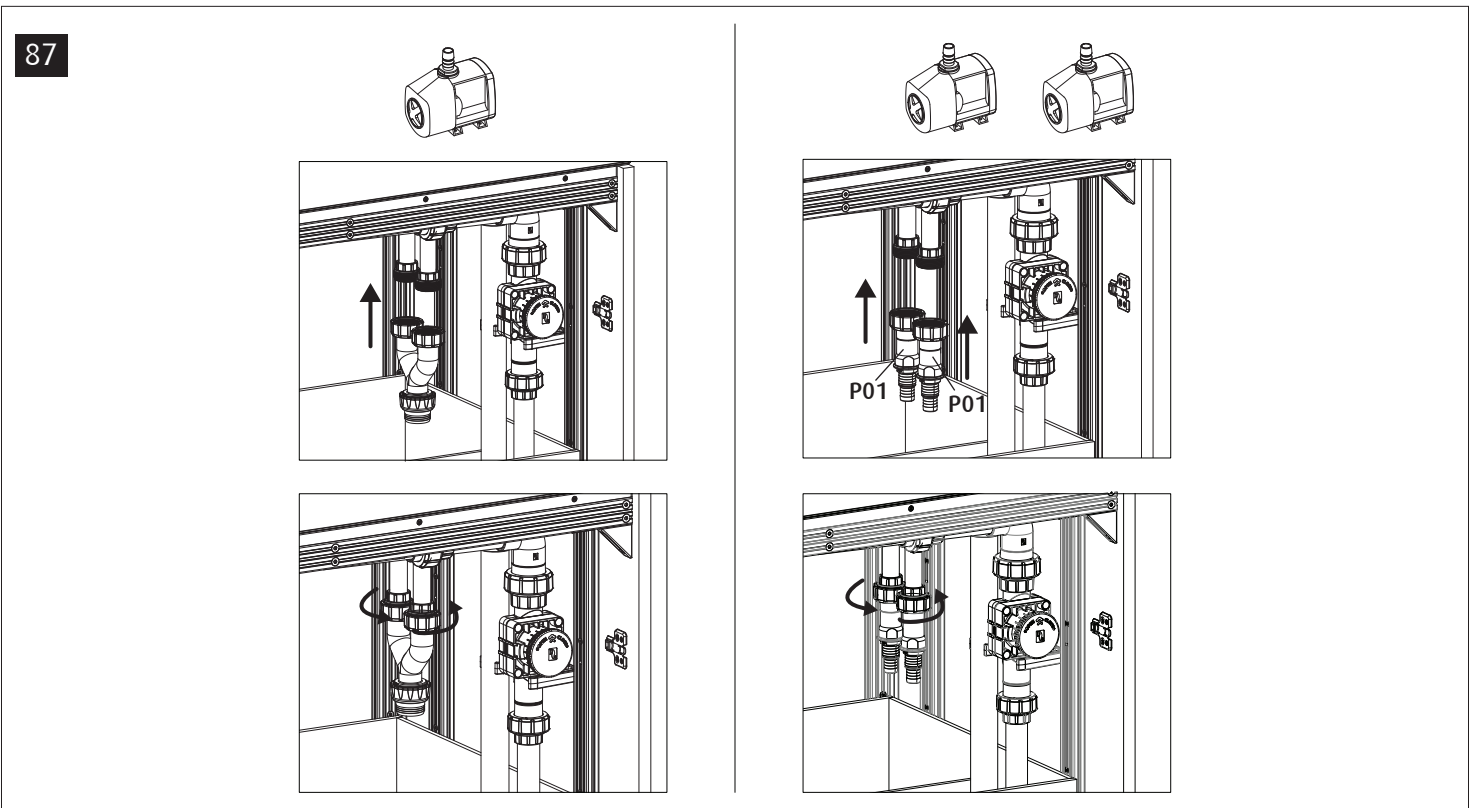
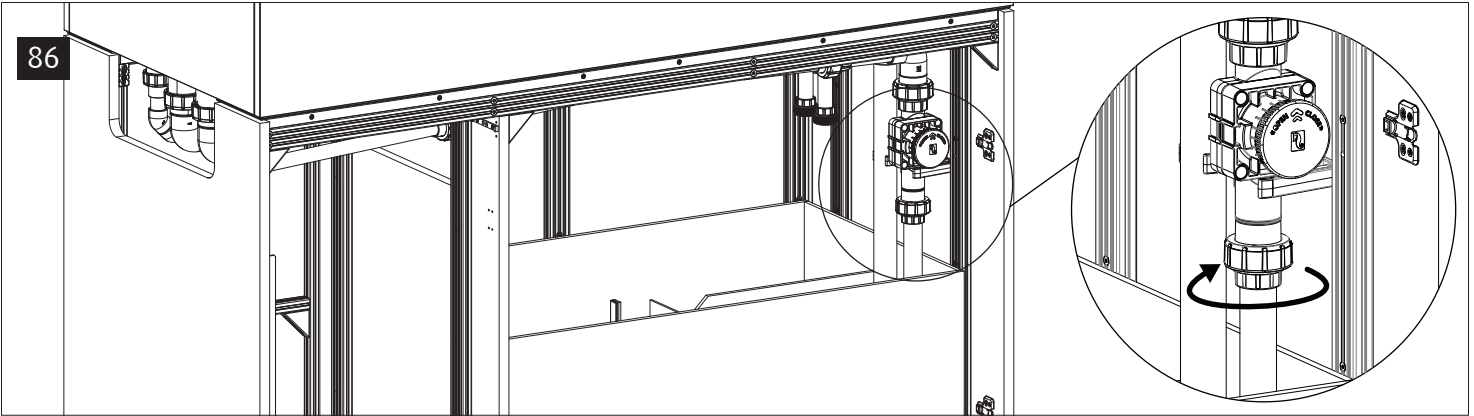
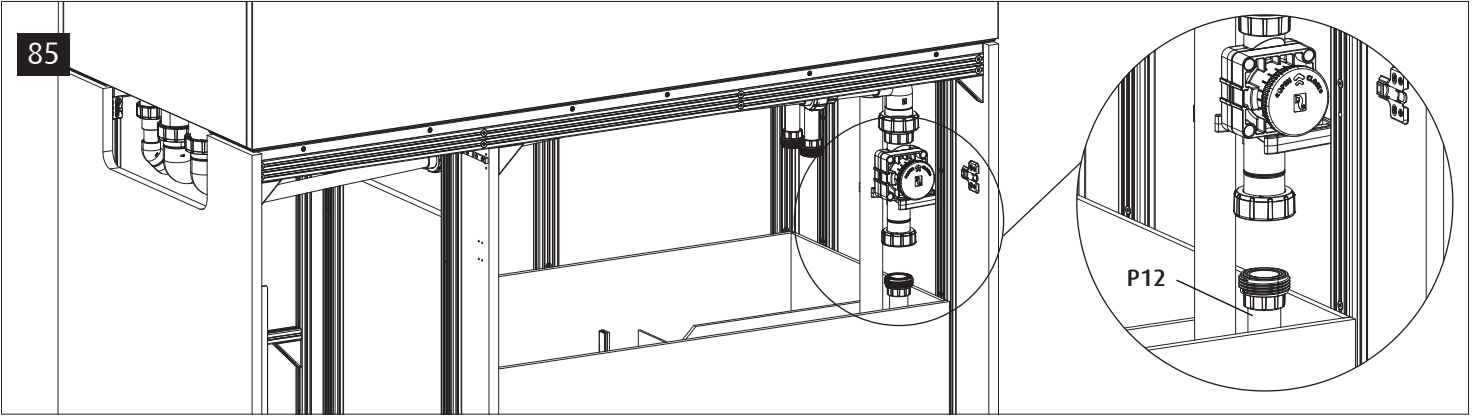
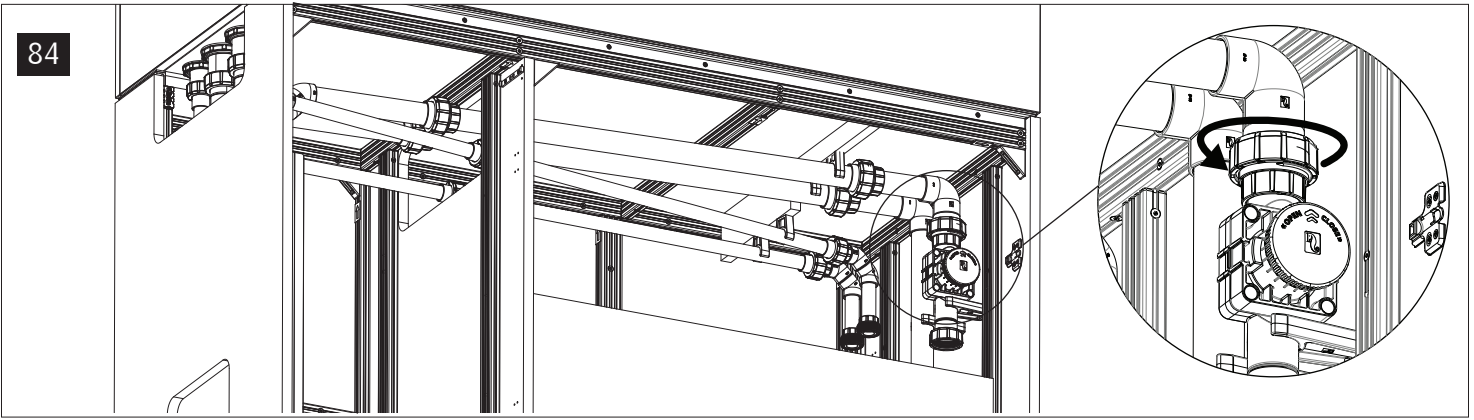


82

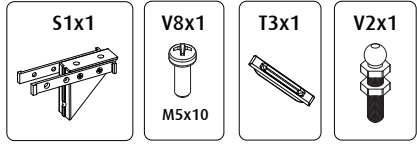
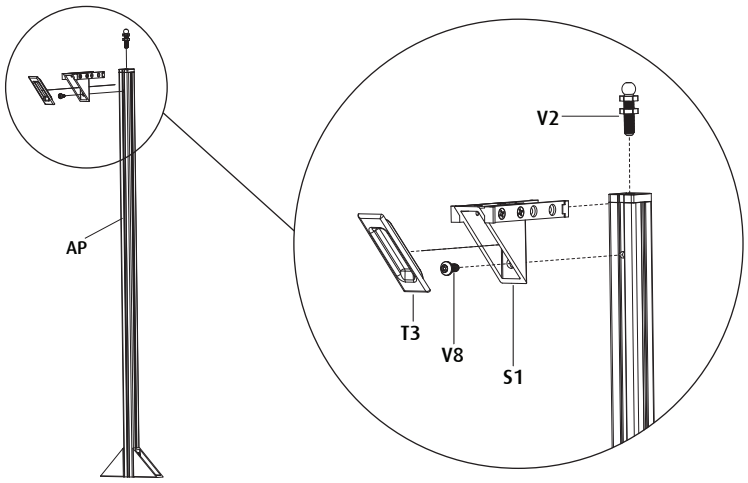


83

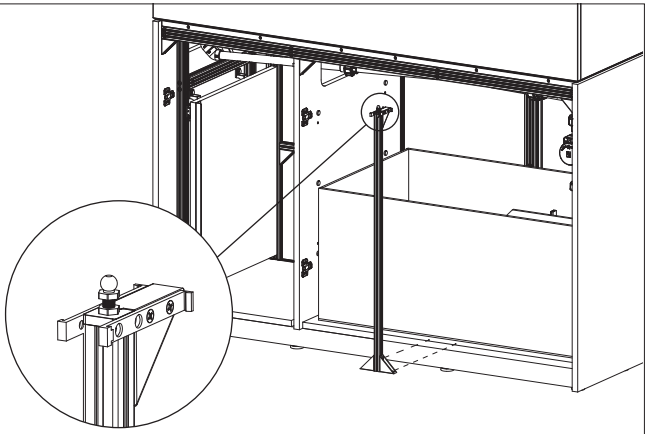




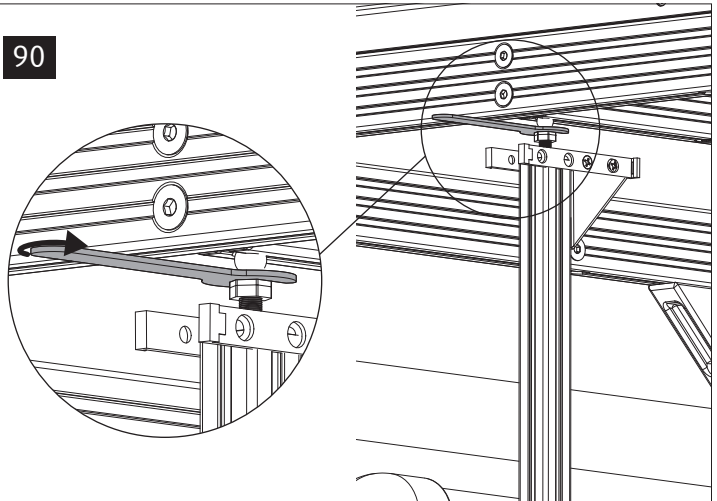
88



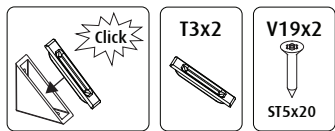
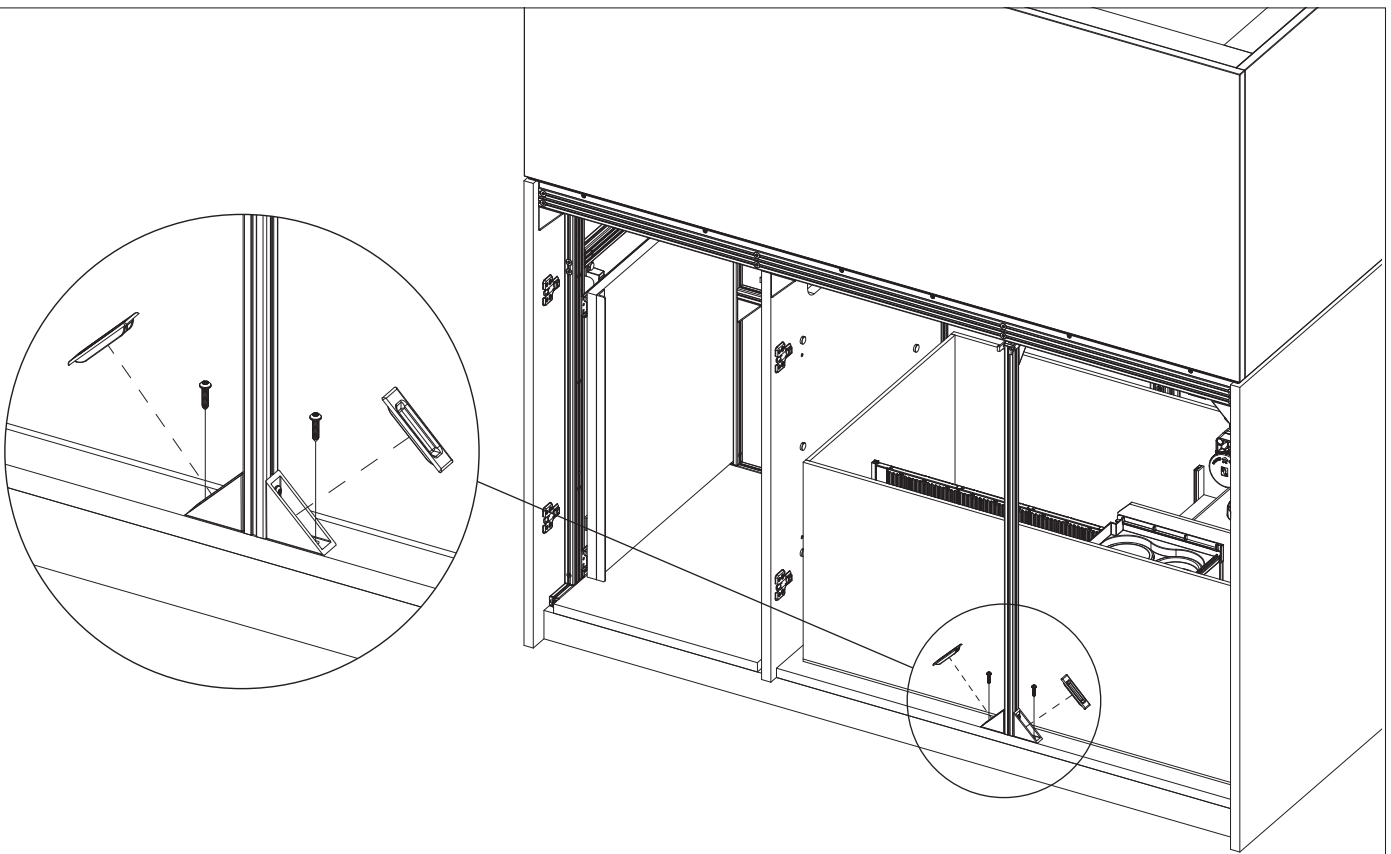
89



90

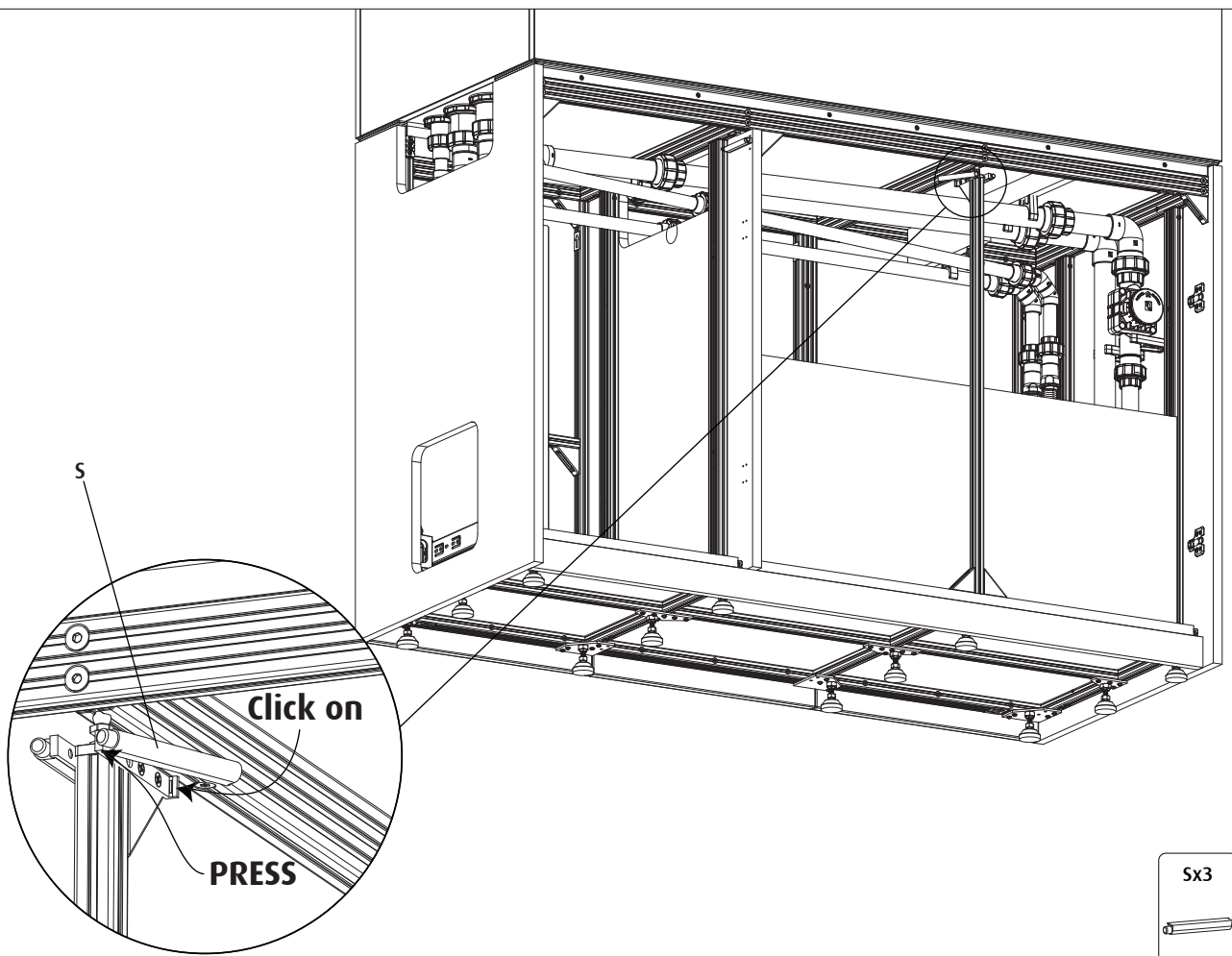


91

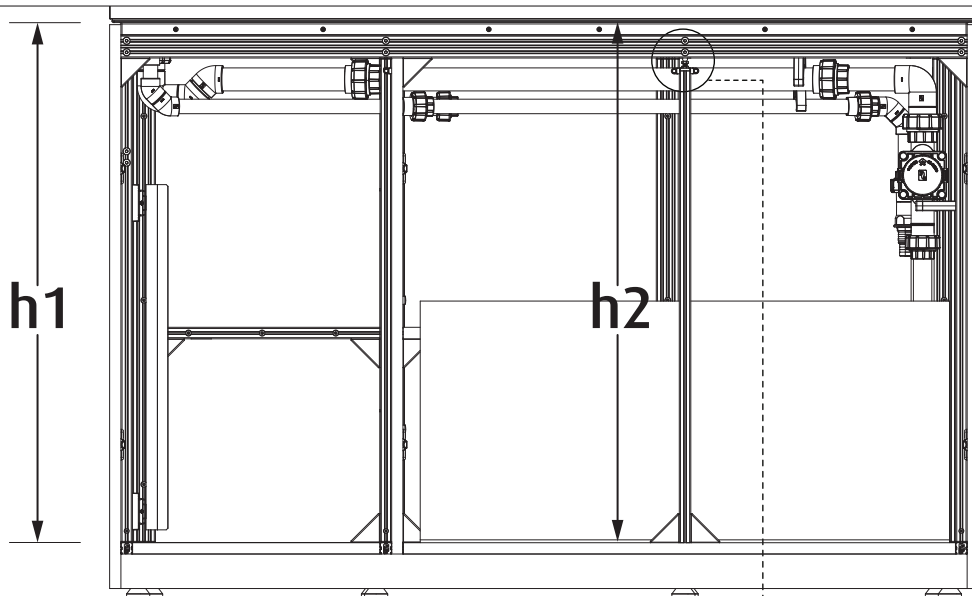




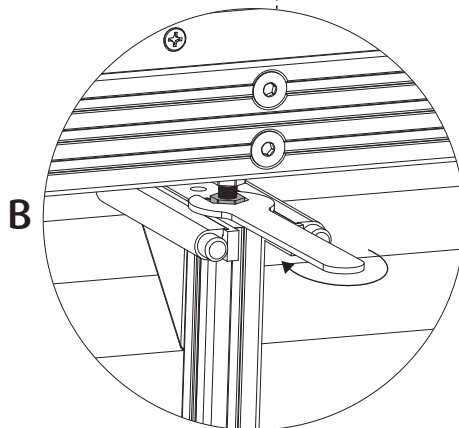
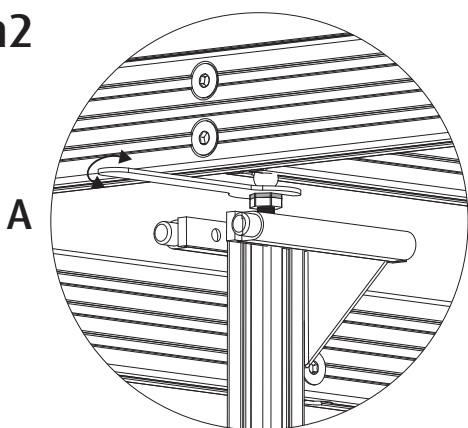
92



93

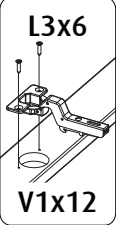
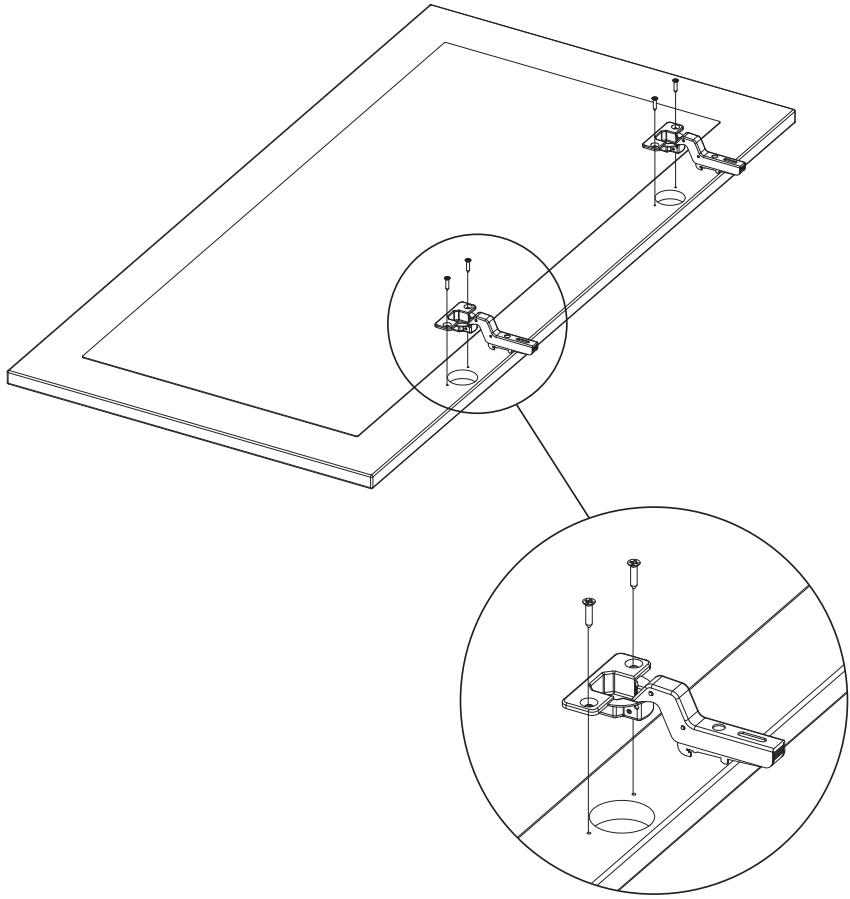


h1 = h2

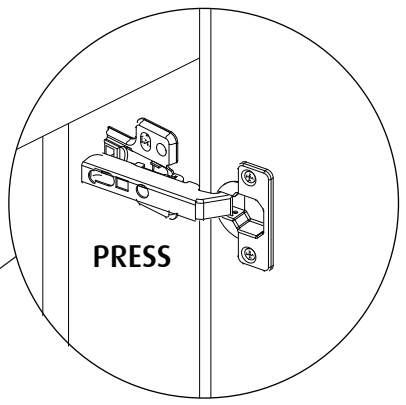
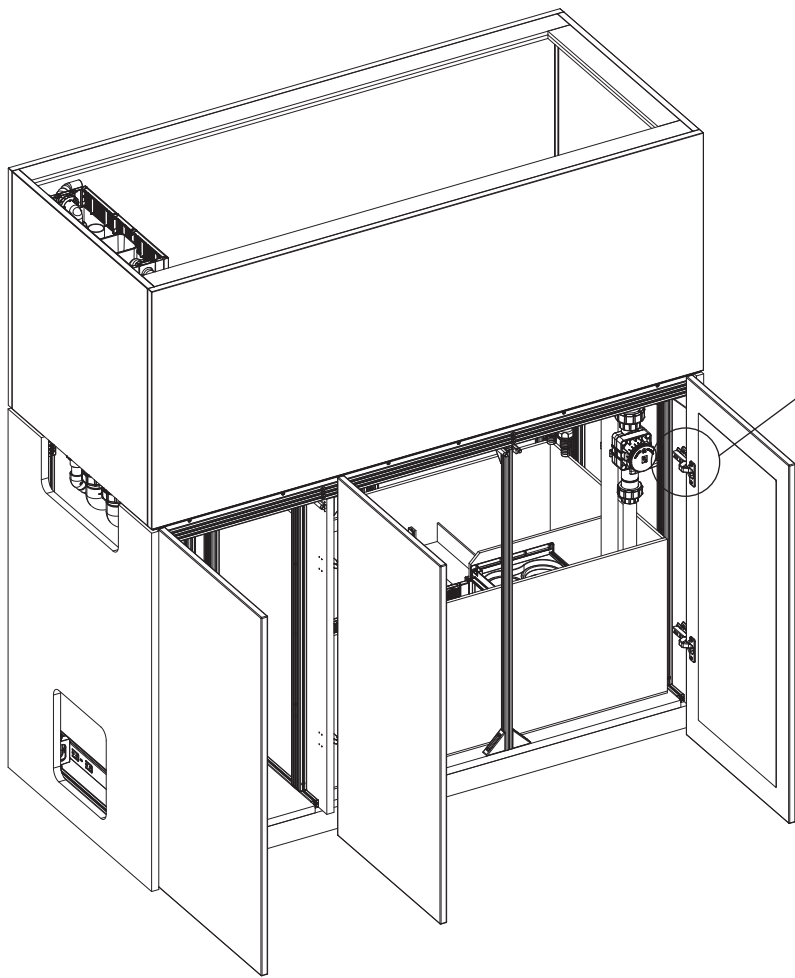


94

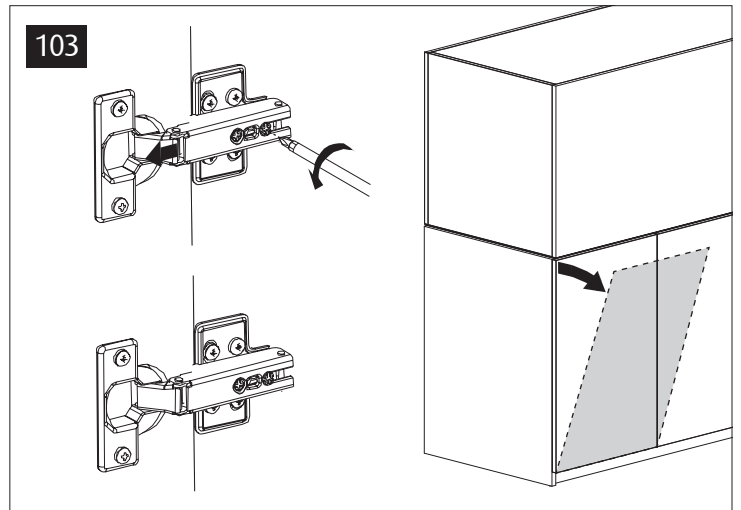
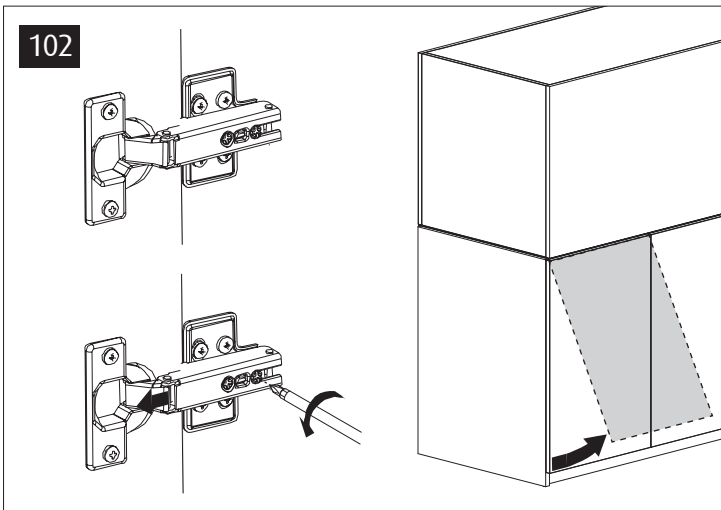
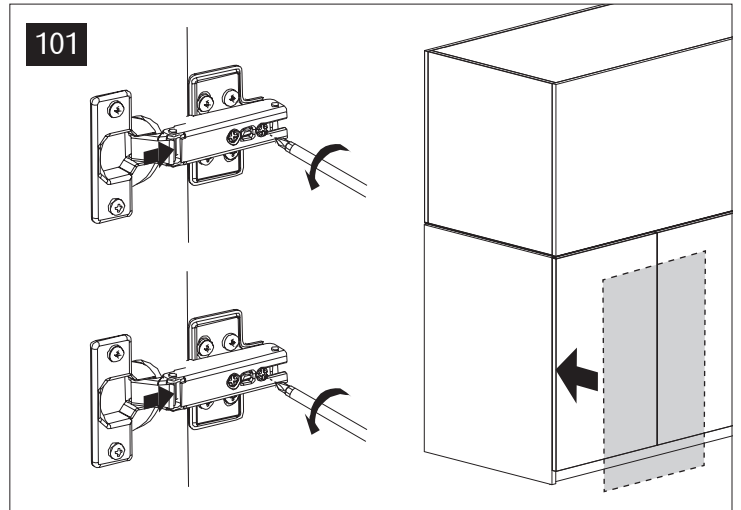
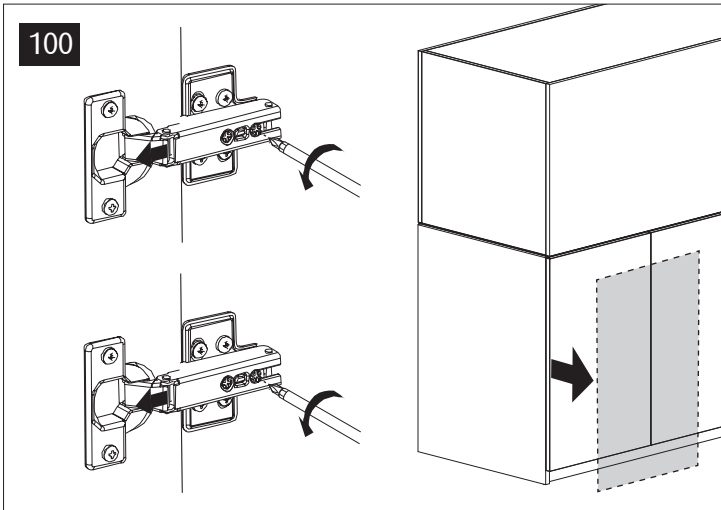
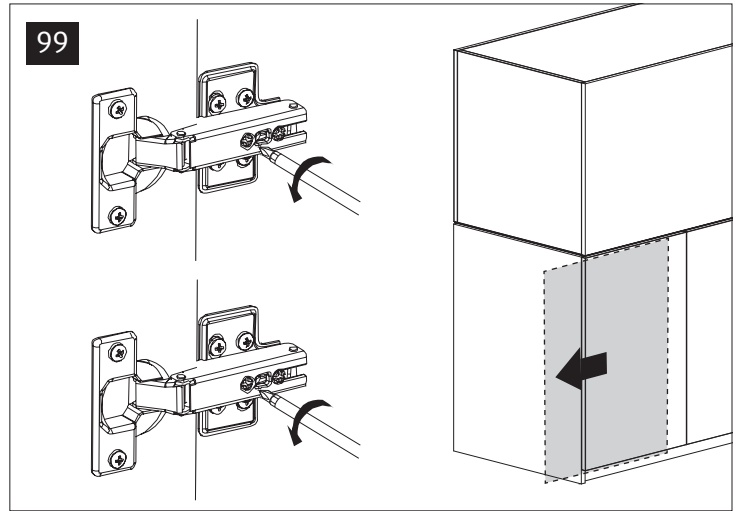
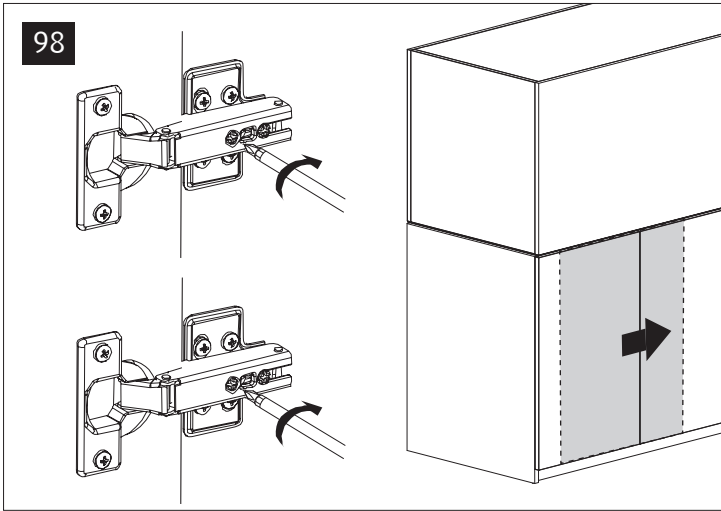
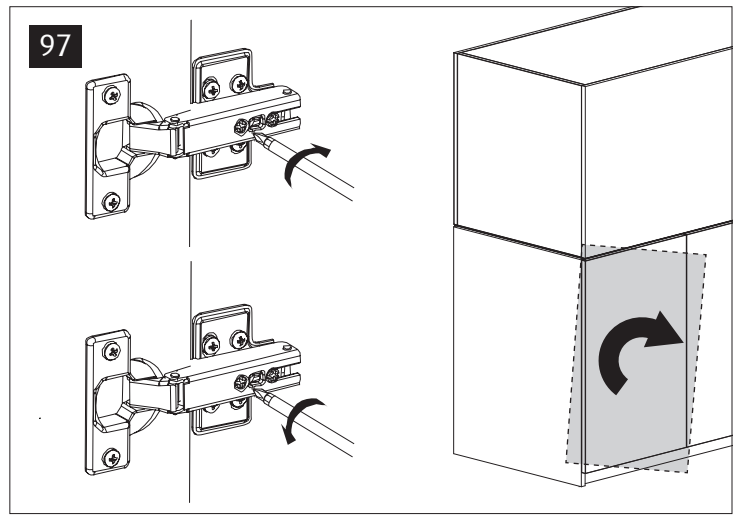
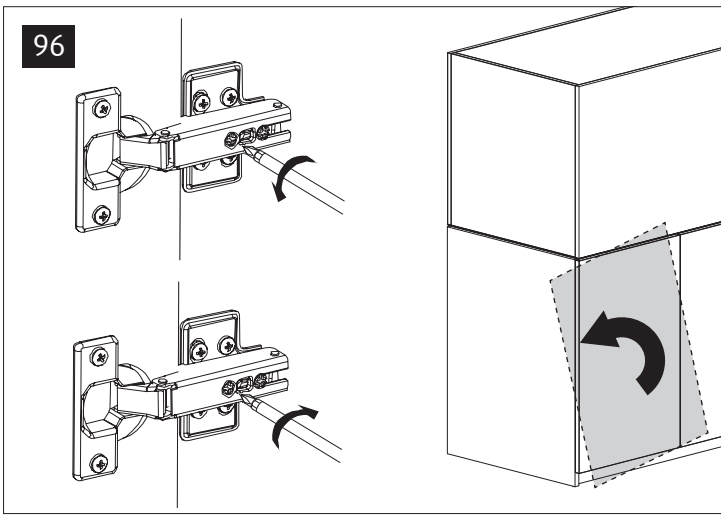
X3



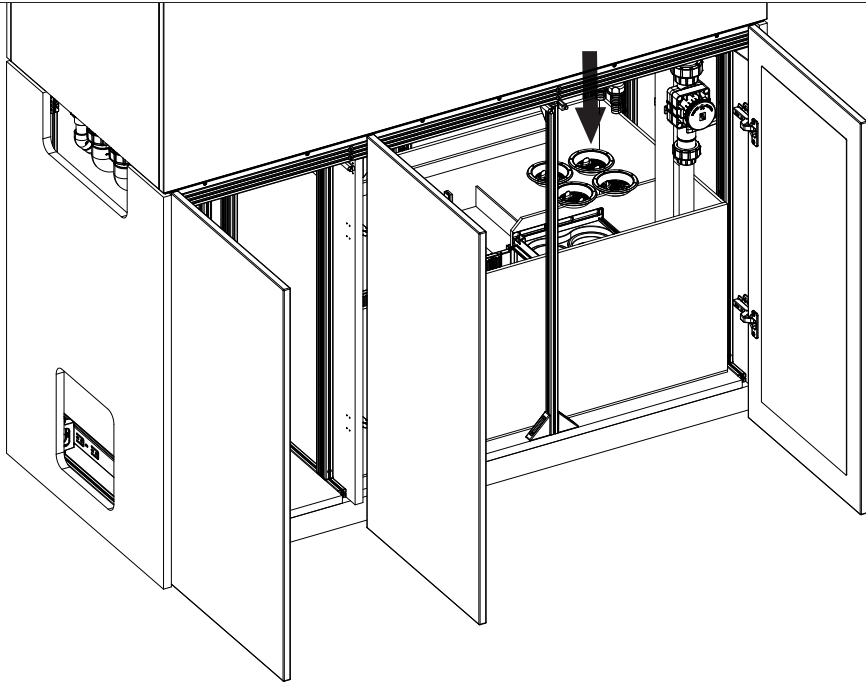
95



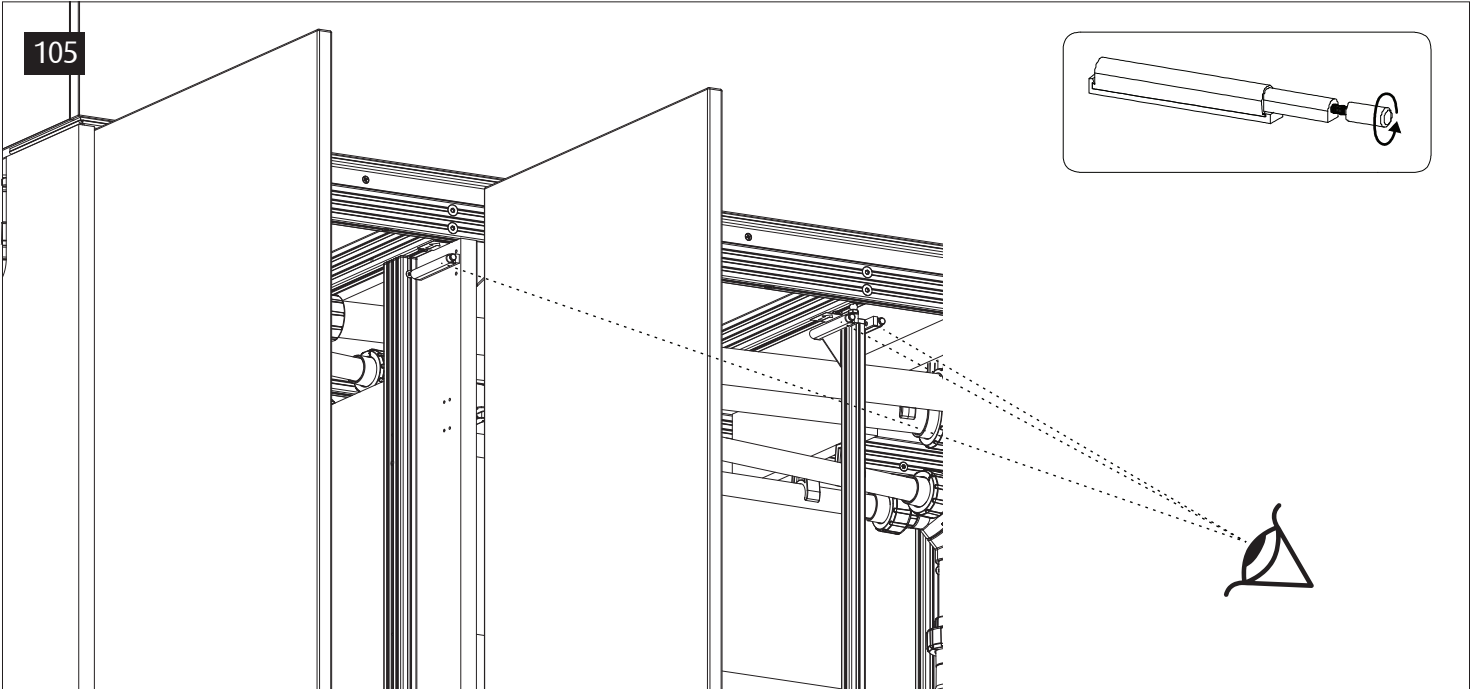




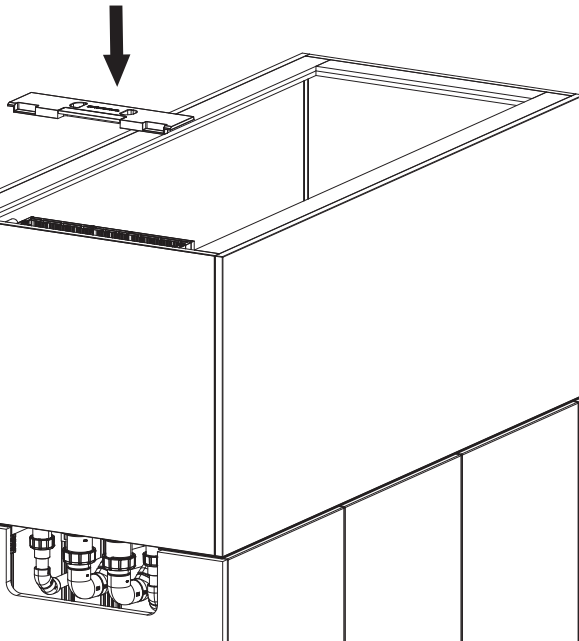
104



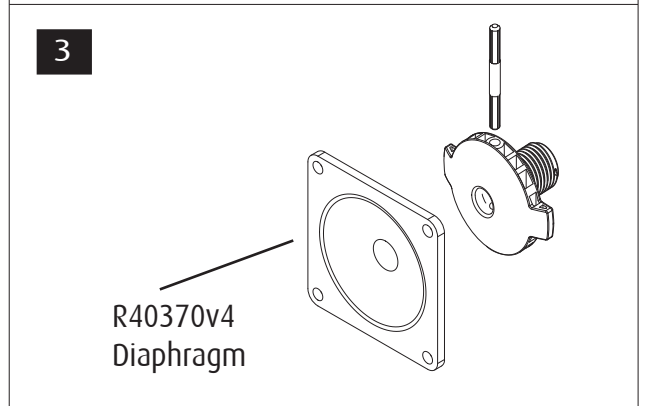
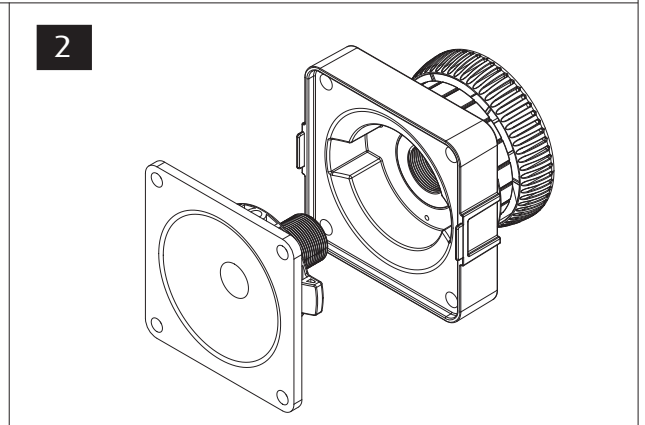
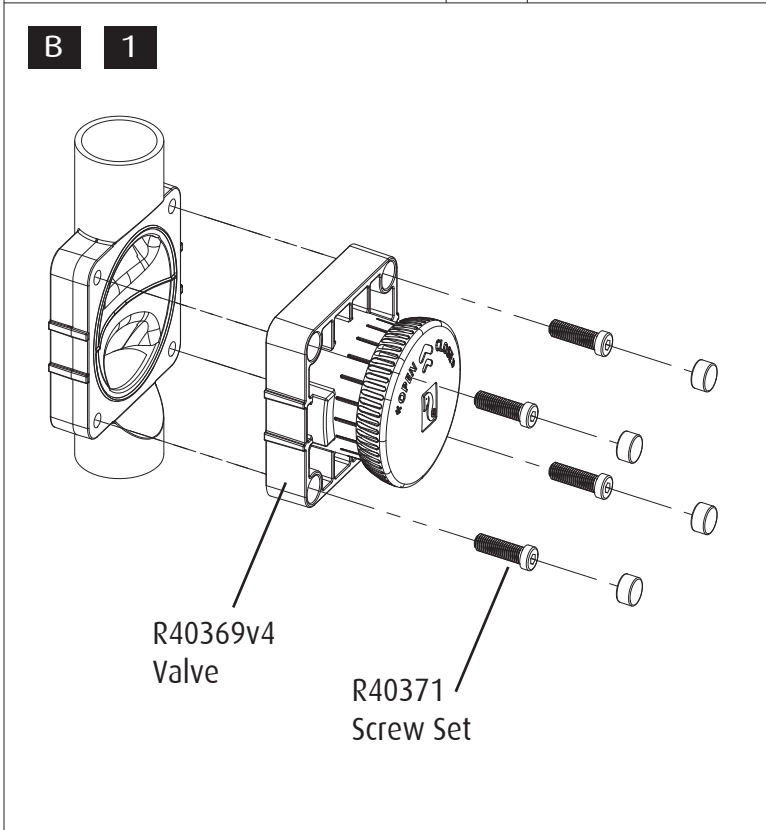
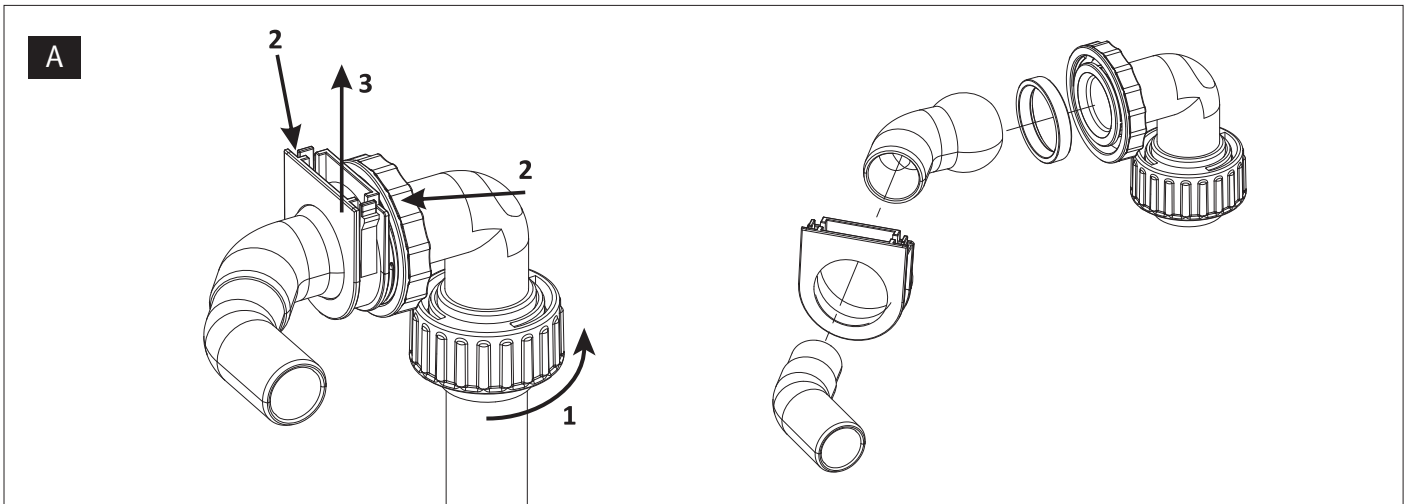
105



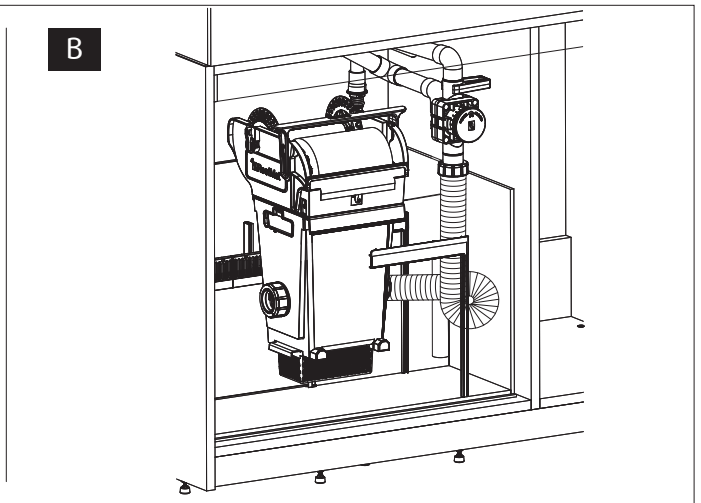
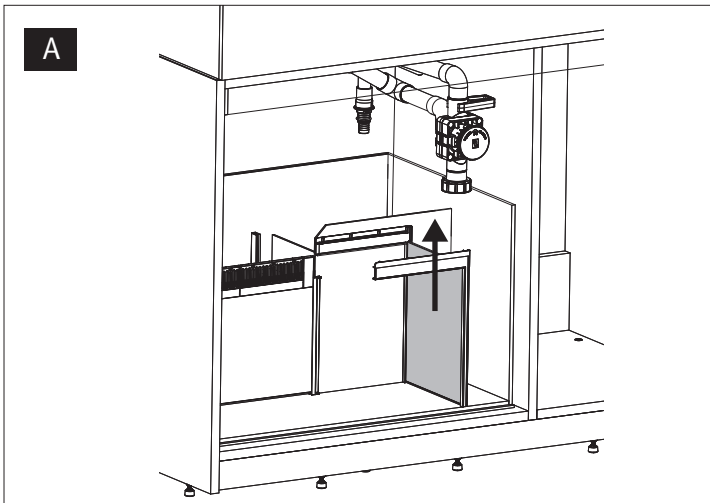
106



# MAINTENANCE



**ReefMat®**



*Europe*

**Red Sea Europe**  
655 Rue des Frères Lumière  
27130 Verneuil d'Avre et d'Iton,  
France  
[support.fr@redseafish.com](mailto:support.fr@redseafish.com)

*UK & Ireland*

**Red Sea Aquatics (UK) Ltd**  
PO Box 1237  
Cheddar, BS279AG  
[uk.info@redseafish.com](mailto:uk.info@redseafish.com)

*North America*

**Red Sea U.S.A & Canada**  
4687 World Houston Parkway  
#200  
Houston, TX 77032, U.S.A  
[support.usa@redseafish.com](mailto:support.usa@redseafish.com)

*Germany & Austria*

**Red Sea Deutschland**  
Büro Deutschland  
Prinzenallee 7 (Prinzenpark)  
40549 Düsseldorf  
[support.de@redseafish.com](mailto:support.de@redseafish.com)

*China*

**Red Sea Aquatics (GZ) Ltd.**  
Block 2-4, No.168, West Yingbin  
Road, Xinhua Industrial Park,  
Huadu District, Guangzhou City,  
China, Postal code 510812.  
Tel: +86-020-6625 3828  
[info.china@redseafish.com](mailto:info.china@redseafish.com)