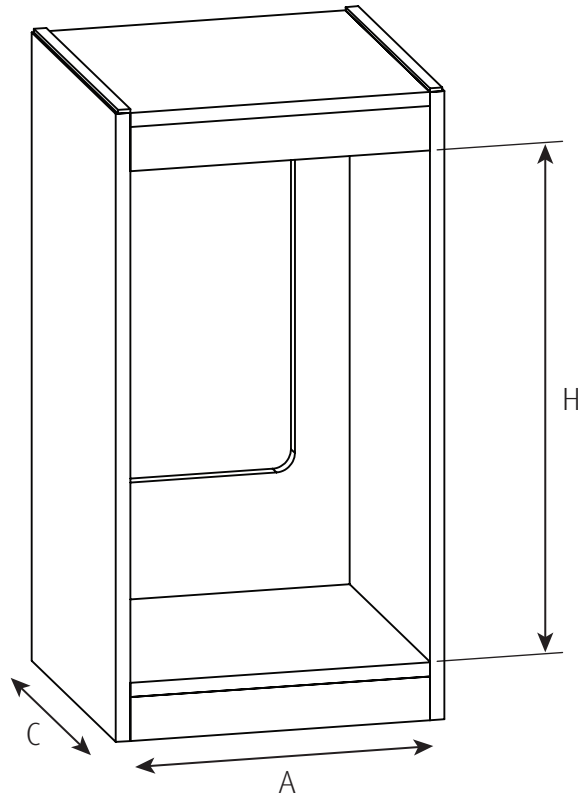


Red Sea MAX[®]

NANO / DESKTOP



	Cube	Peninsula
Cabinet Compartment "A"	41cm / 16.1"	41cm / 16.1"
Depth (rear wall to door) "C"	41cm / 16.1"	54.5cm / 21.4"
Height (Cabinet floor to Top header) "H"	70cm / 27.5"	70cm / 27.5"