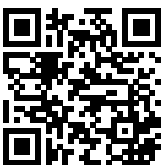


# Red Sea REEFER™

250 G2 / 300 G2

---

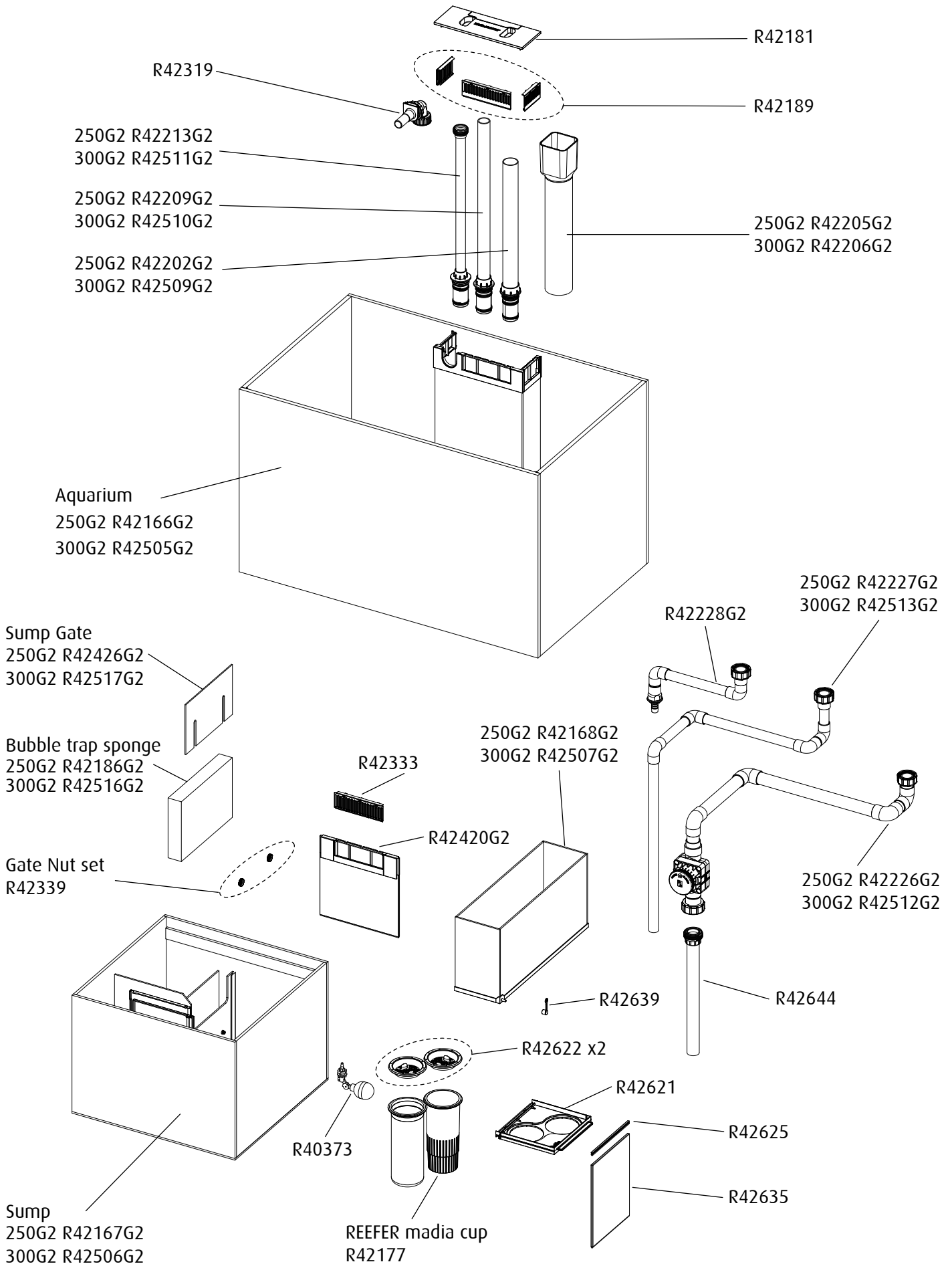
Aquarium & Cabinet Assembly Manual



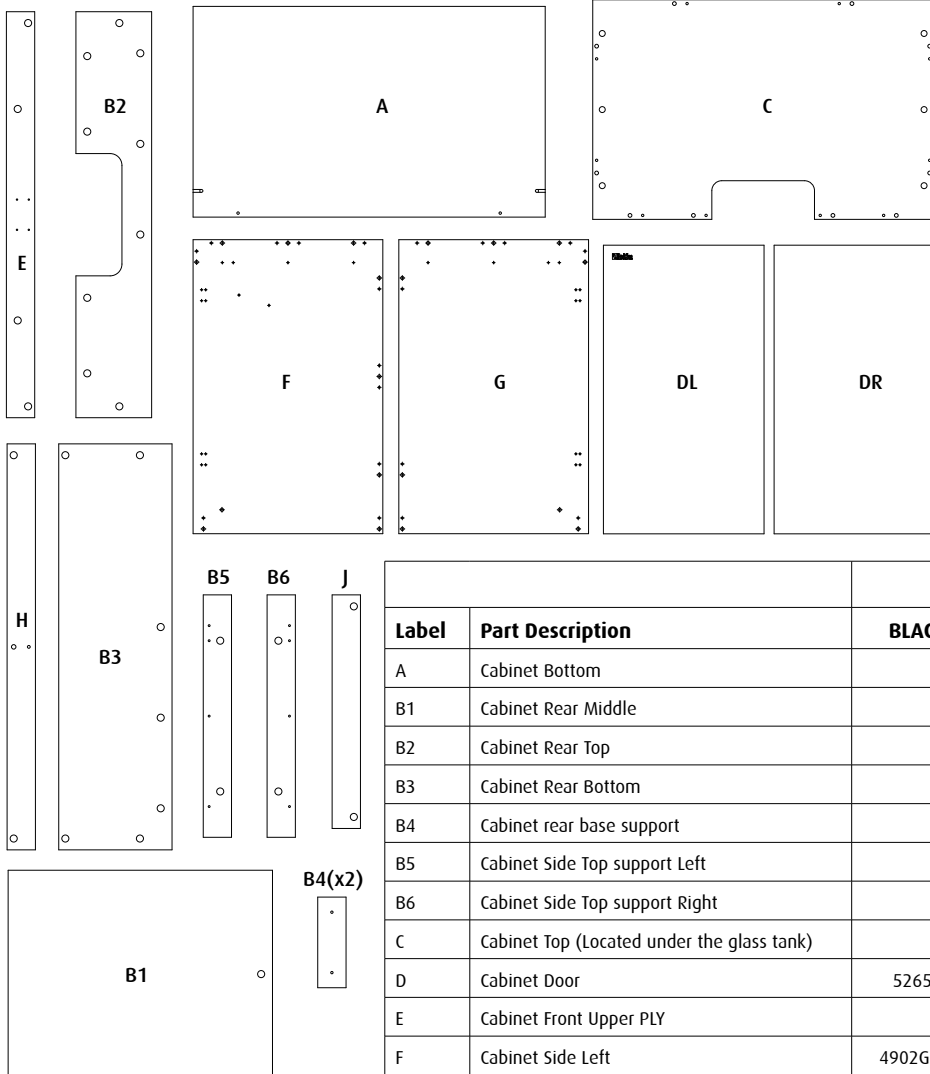
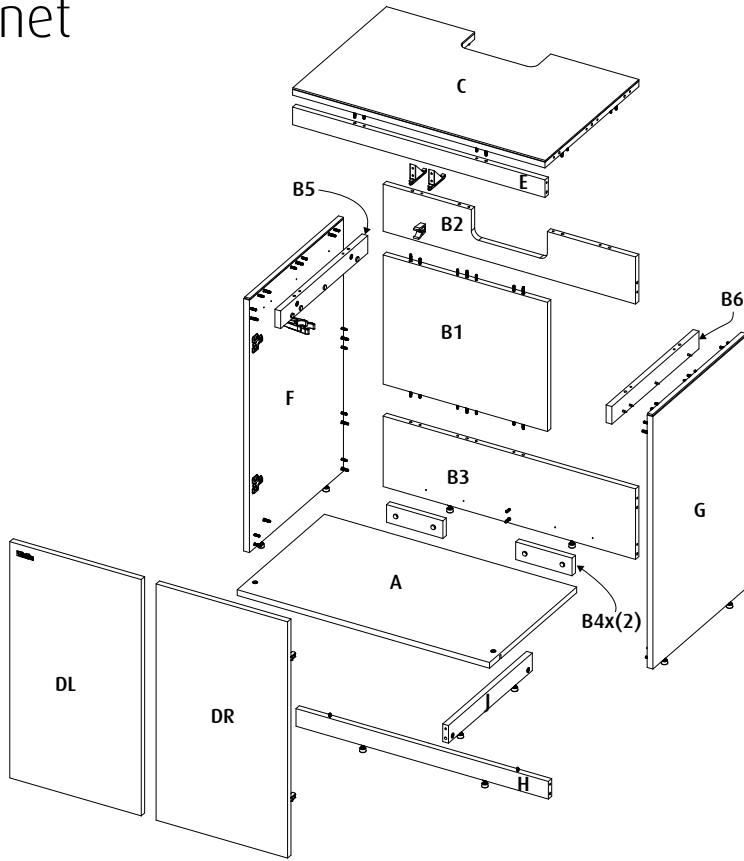
Resource & Support Center:  
[www.redseafish.com/support/](http://www.redseafish.com/support/)



# Water Management

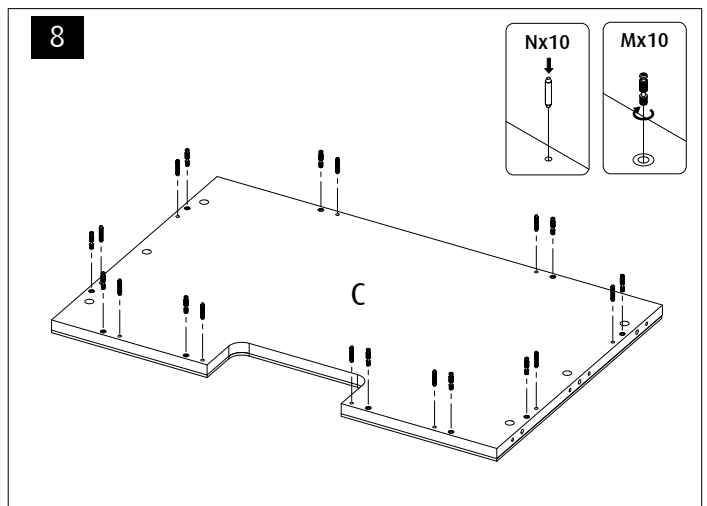
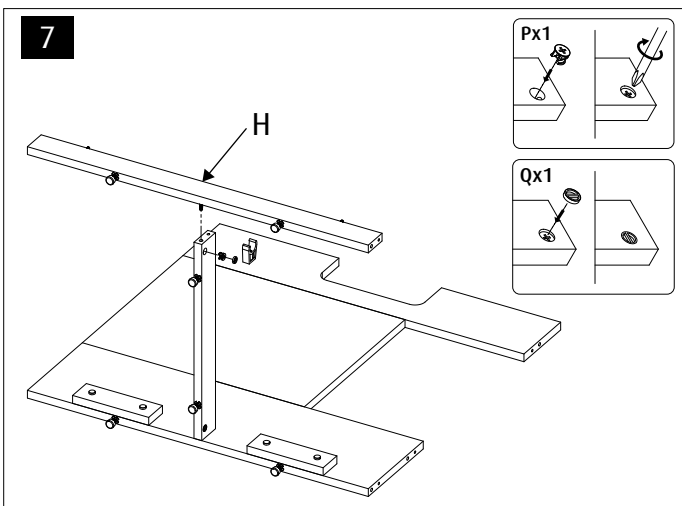
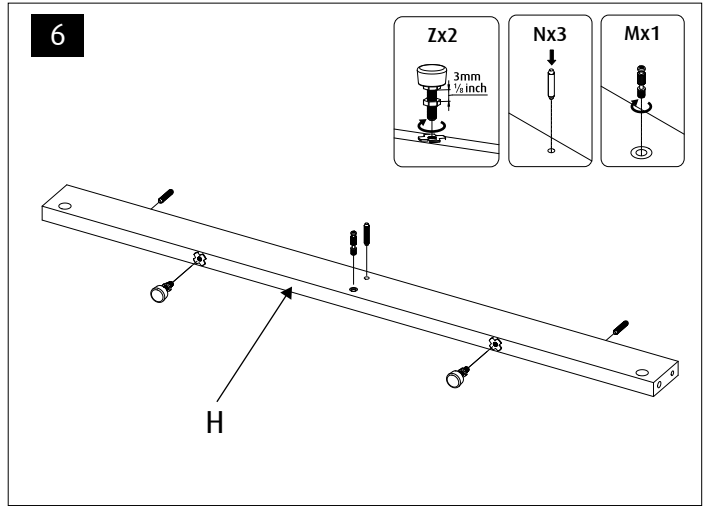
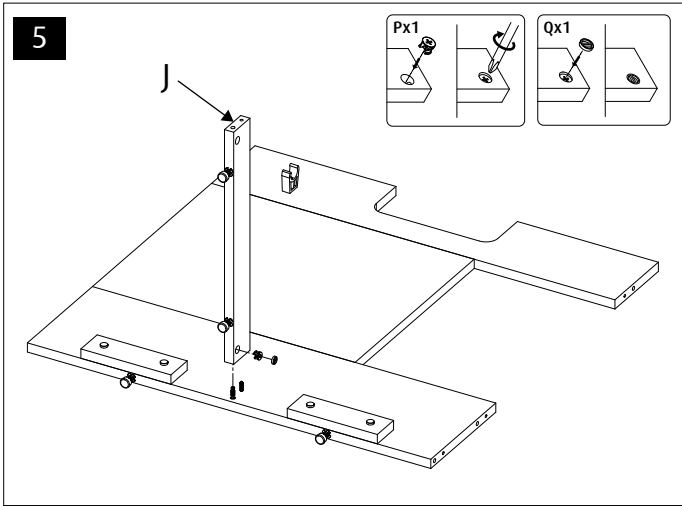
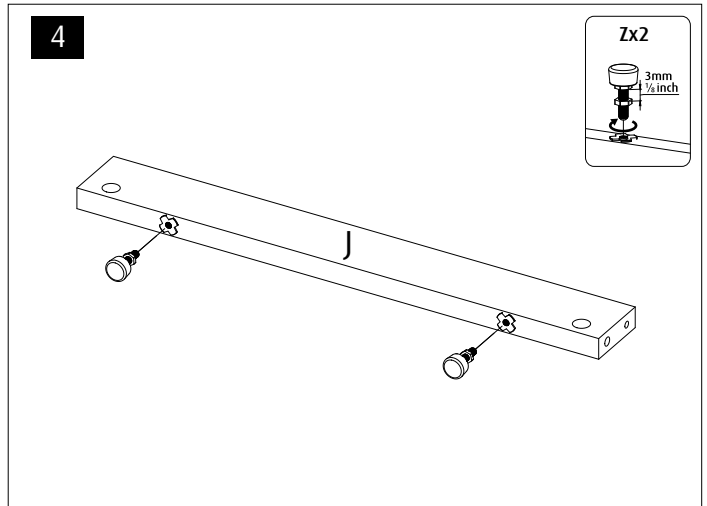
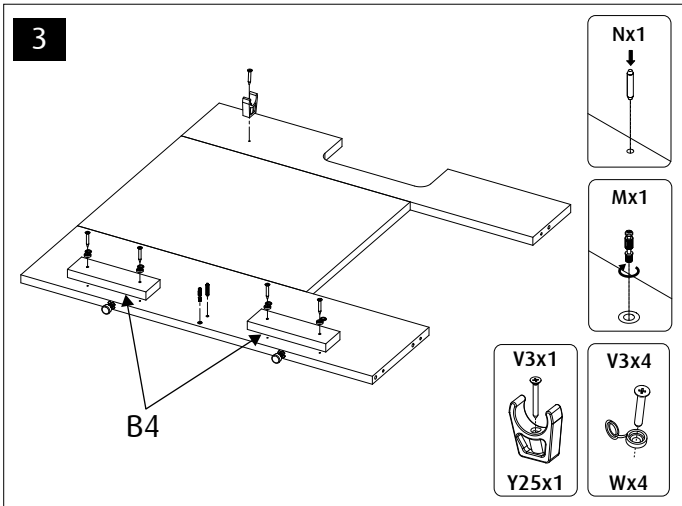
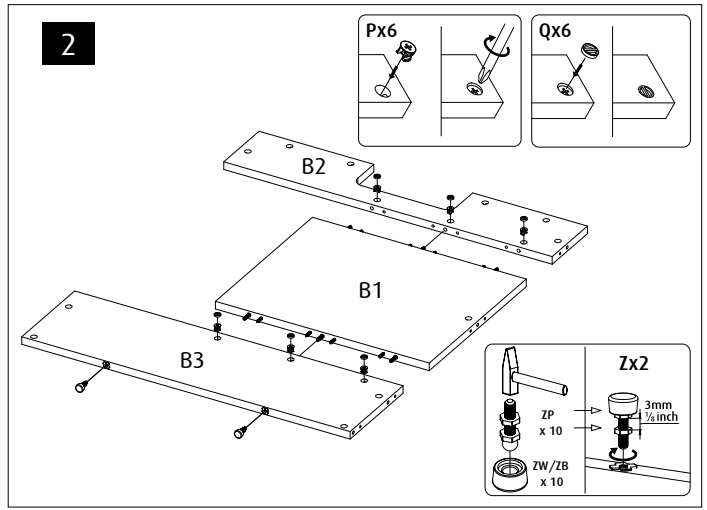
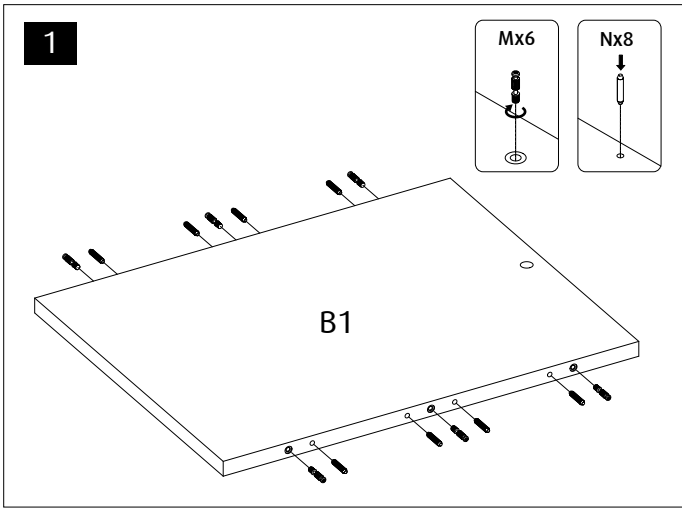


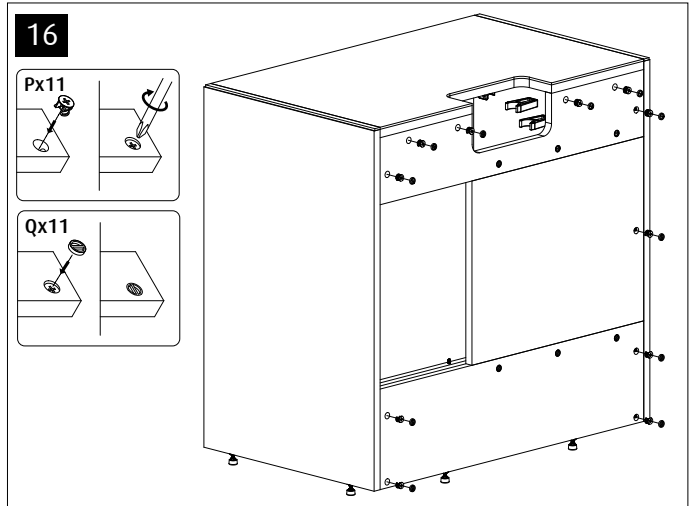
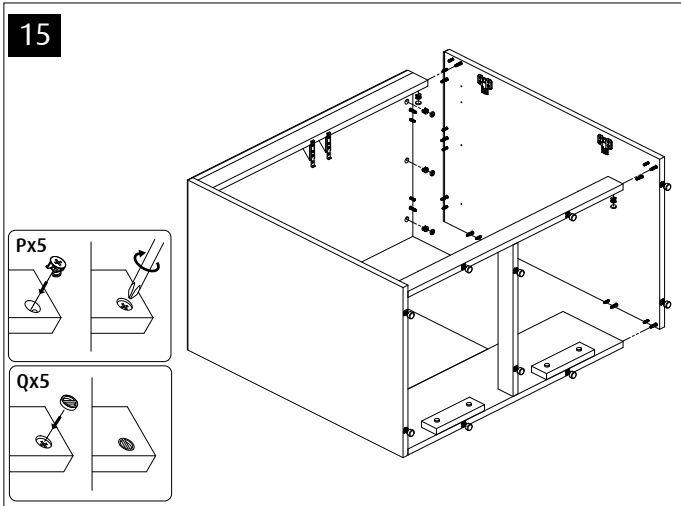
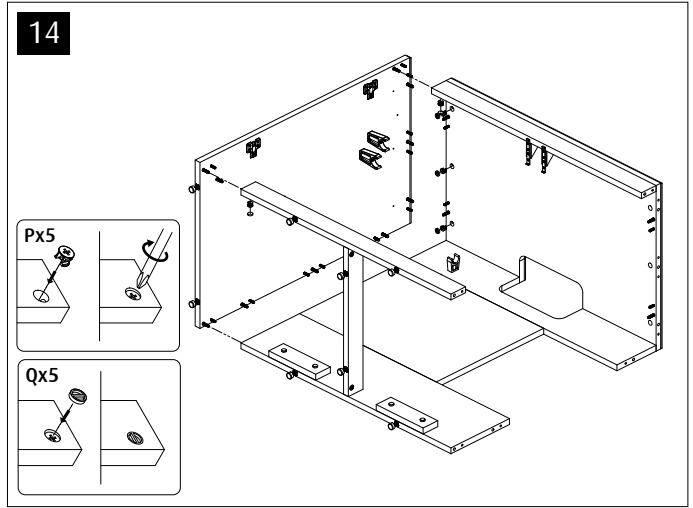
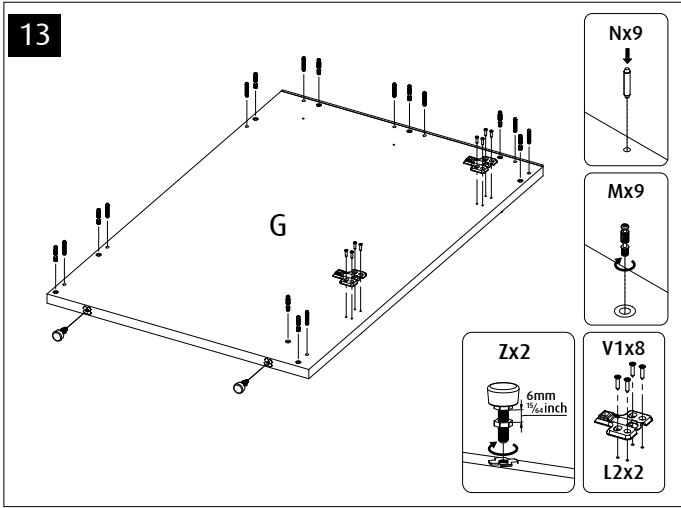
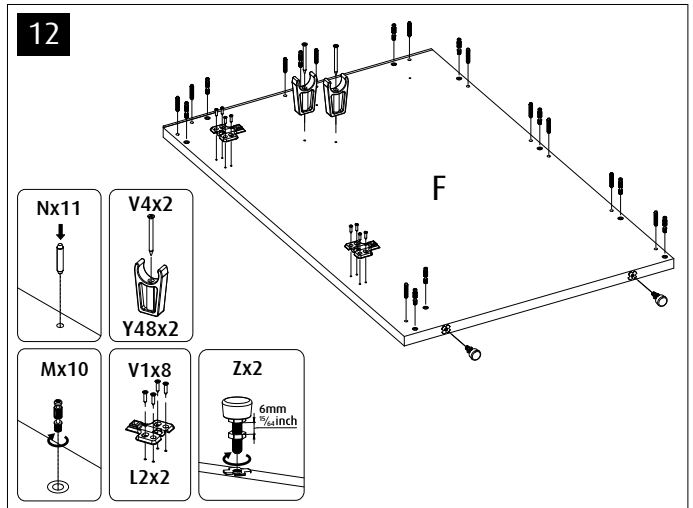
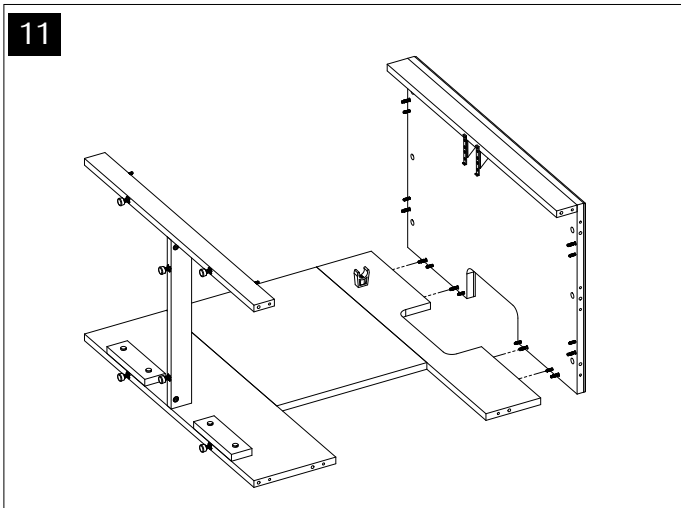
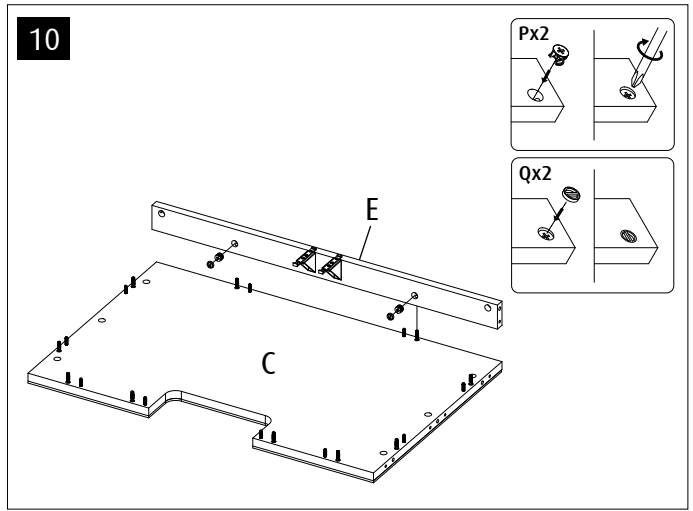
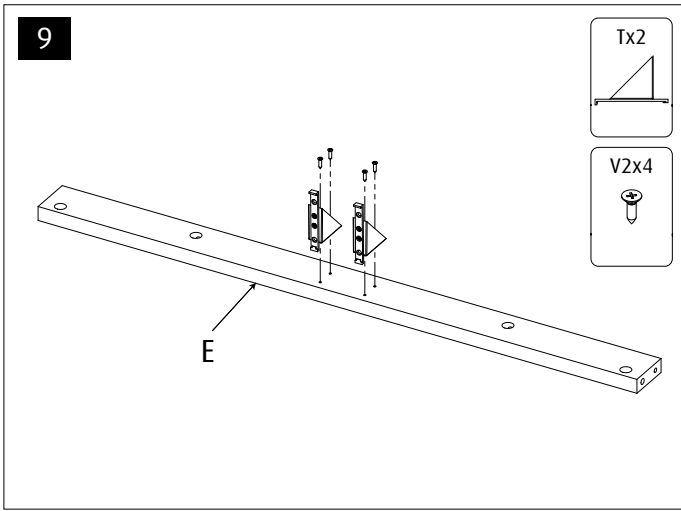
# Cabinet

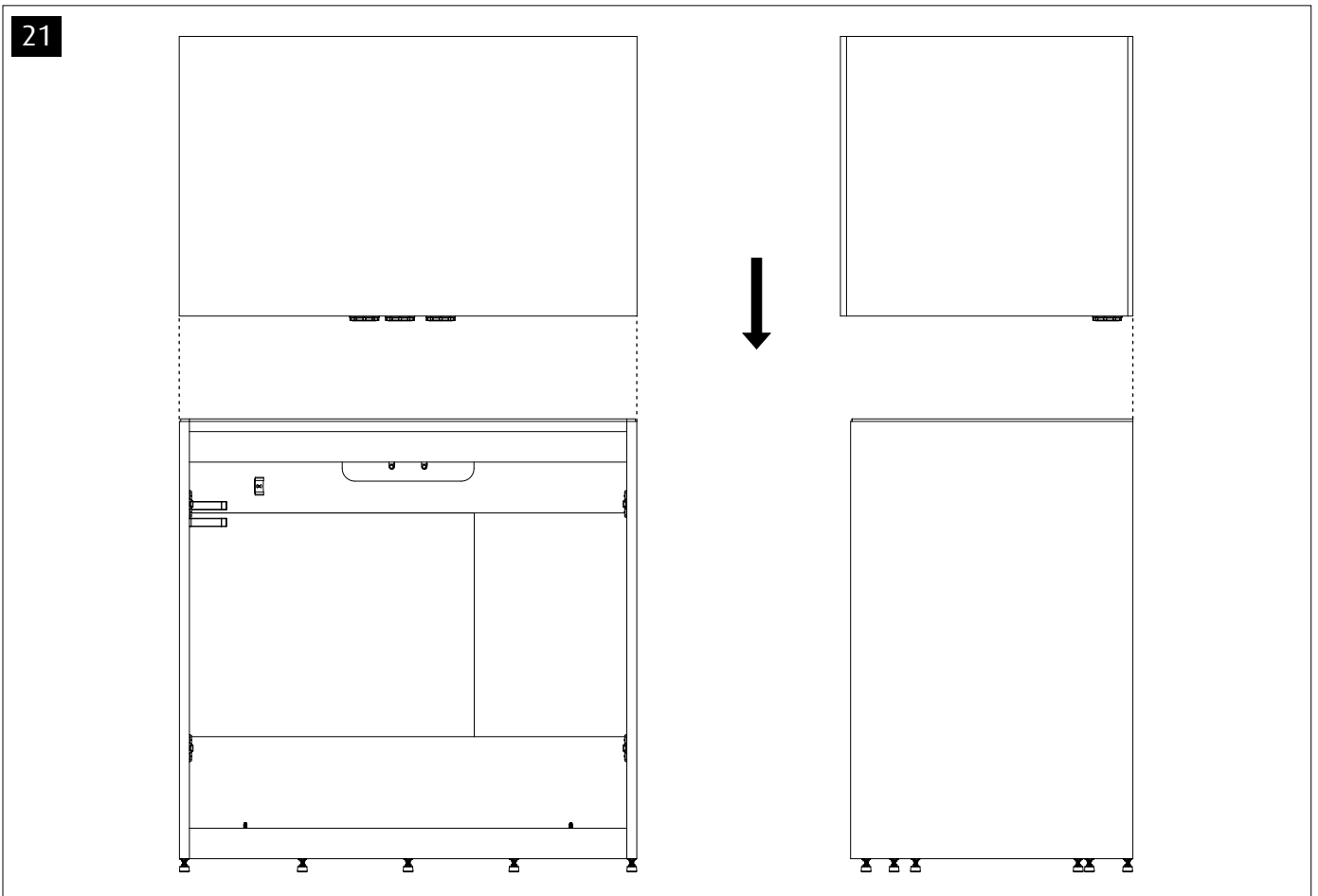
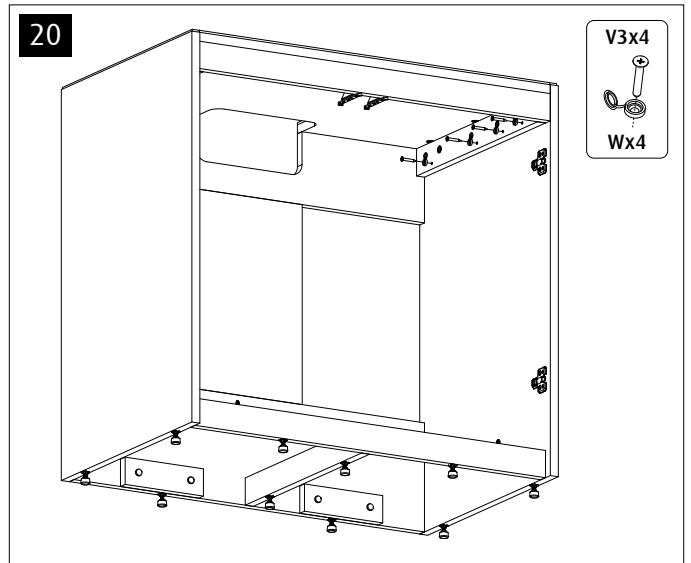
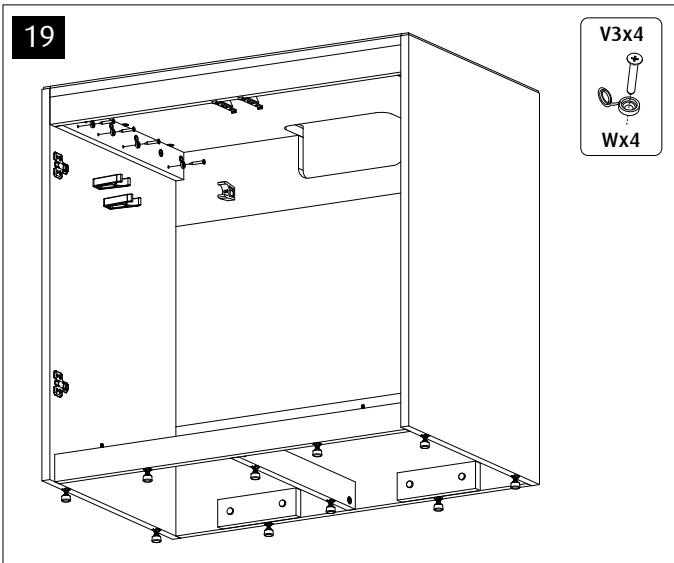
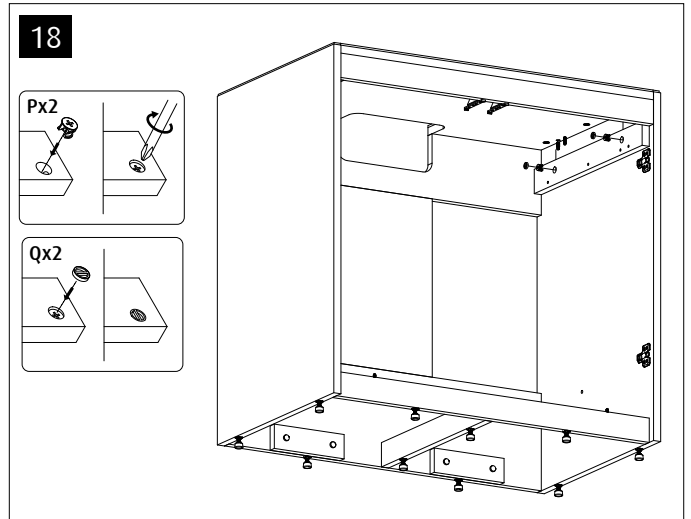
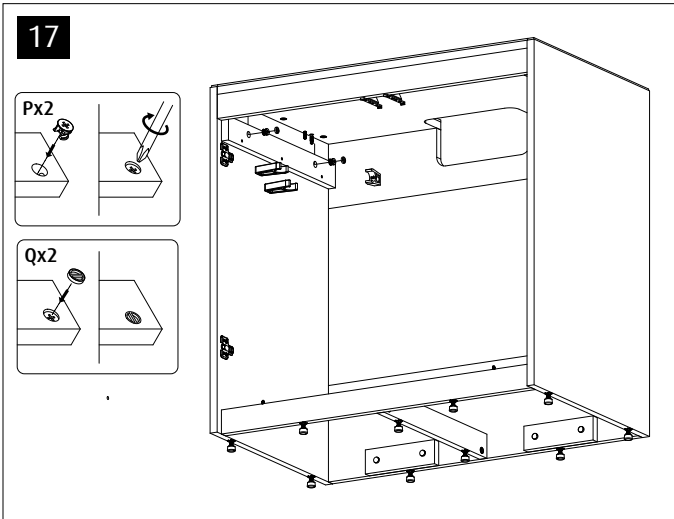


L1		4
L2		
N		42
M		37
P		37
Q		37
S		2
T		2
V1	ST4x16	24
V2	ST3.5x14	4
V3	ST5x35	13
V4	ST5x60	2
Y32-48		2
Y25		1
W1		12
		10

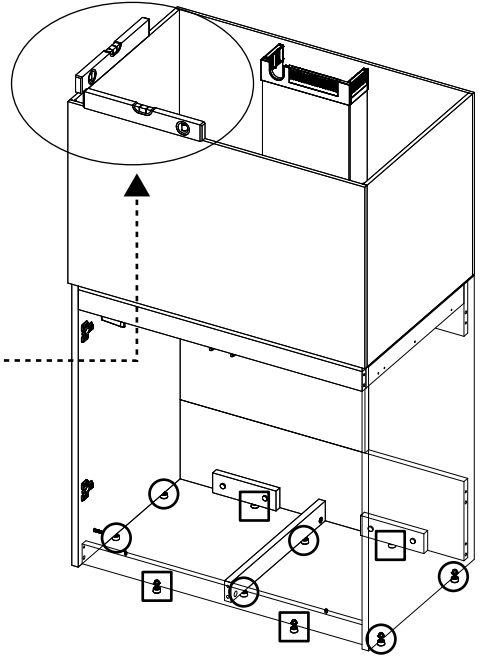
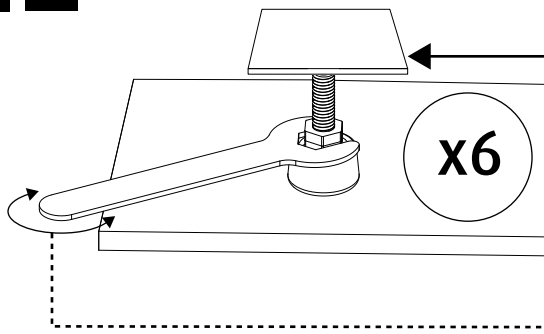
Label	Part Description	250 G2		300 G2	
		BLACK	WHITE	BLACK	WHITE
A	Cabinet Bottom	5282G2		7782B	
B1	Cabinet Rear Middle	5284B-P		5284B-P	
B2	Cabinet Rear Top	5285G2		5285G2	
B3	Cabinet Rear Bottom	7786B		7786B	
B4	Cabinet rear base support	6620		6620	
B5	Cabinet Side Top support Left	4904G2-L		7680LB-G2	
B6	Cabinet Side Top support Right	4904G2-R		7680RB-G2	
C	Cabinet Top (Located under the glass tank)	4905G2		7781B	
D	Cabinet Door	5265B	5265W	5265B	5265W
E	Cabinet Front Upper PLY	5288B-P		5288B-P	
F	Cabinet Side Left	4902G2-B	4902G2-WB	7681B-G2	7681WB-G2
G	Cabinet Side Right	4903G2-B	4903G2-WB	7677B-G2	7677WB-G2
H	Cabinet Sockel	7783B	7783WB	7783B	7783WB
J	Cabinet Base Support	5287A-B		7787B	





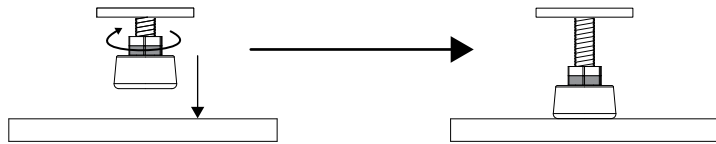


22 A



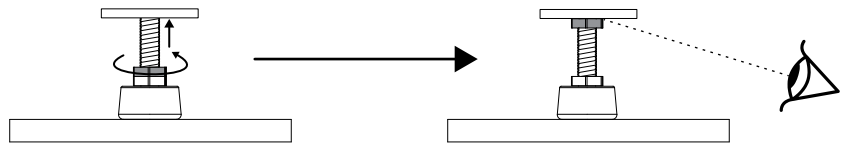
B

x4

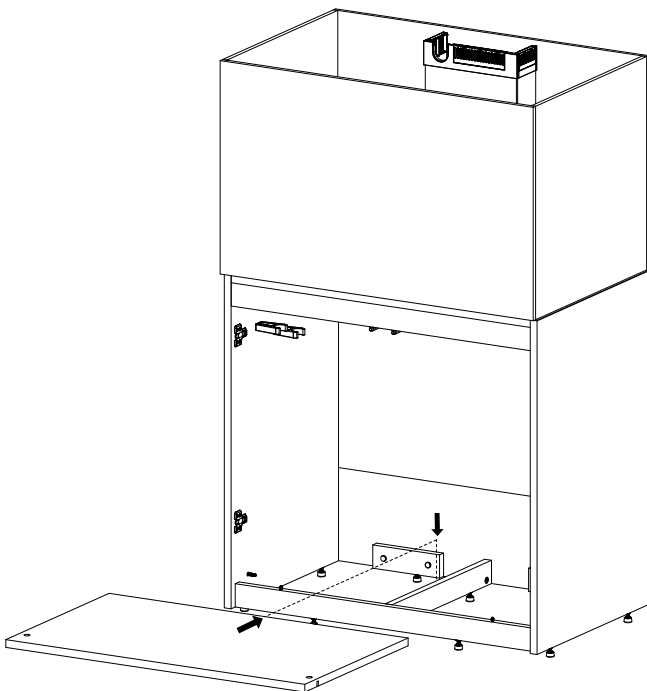


C

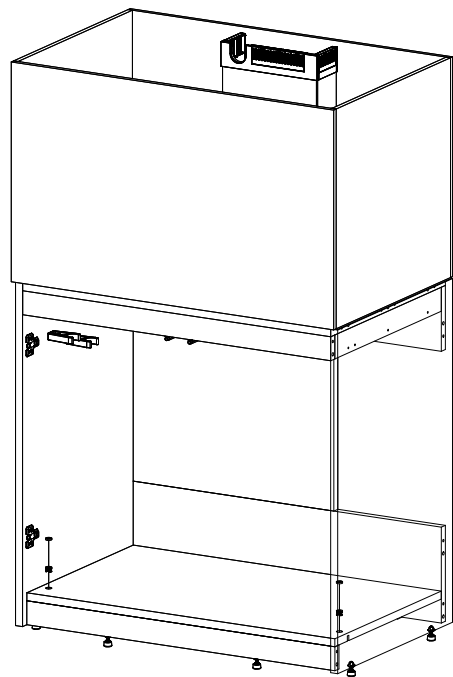
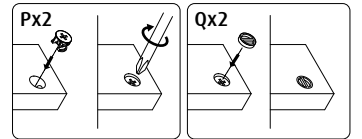
x10

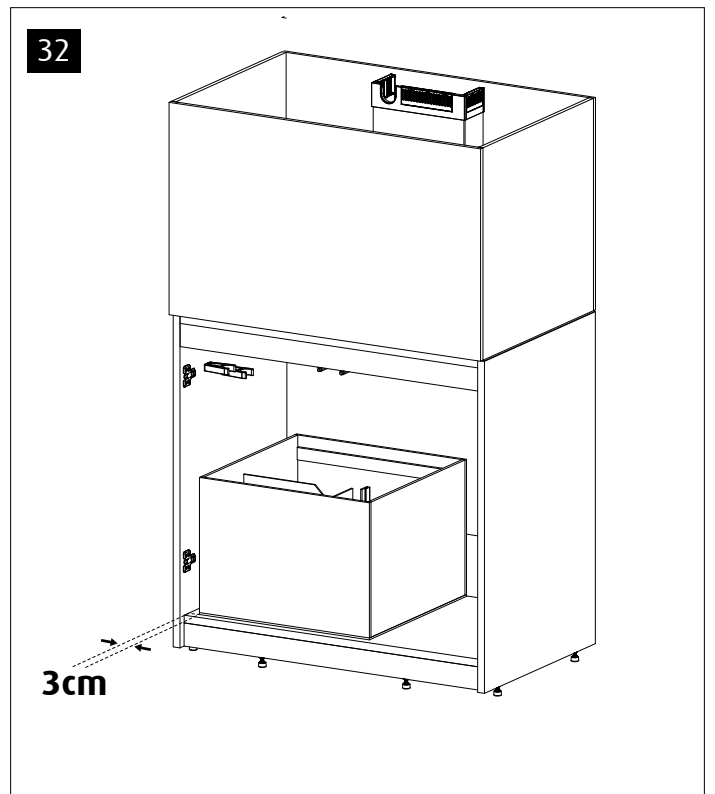
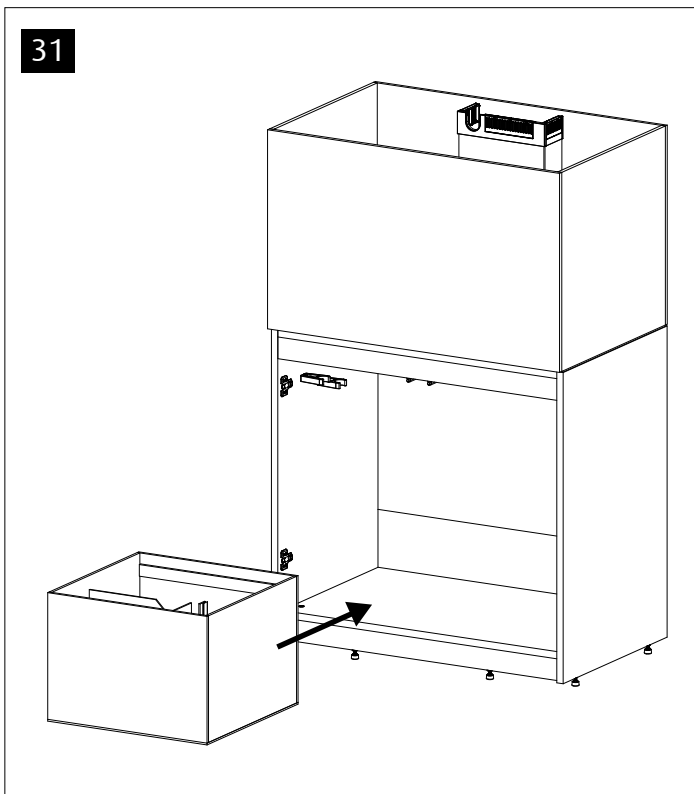
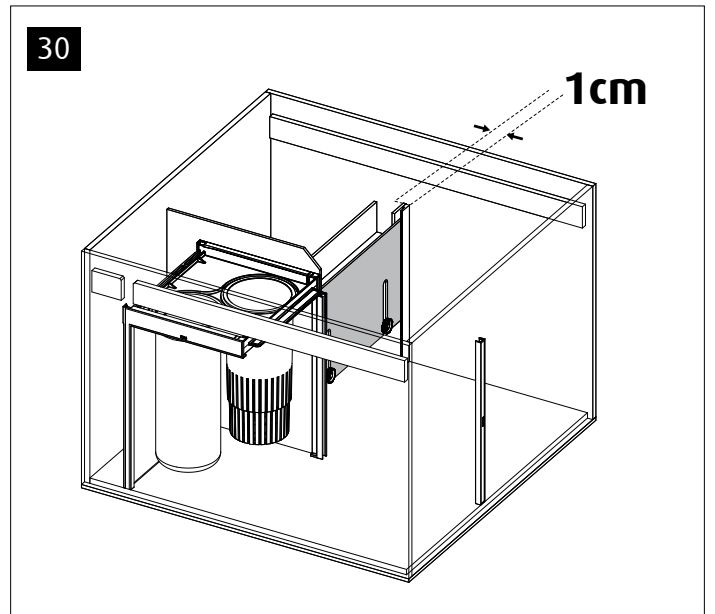
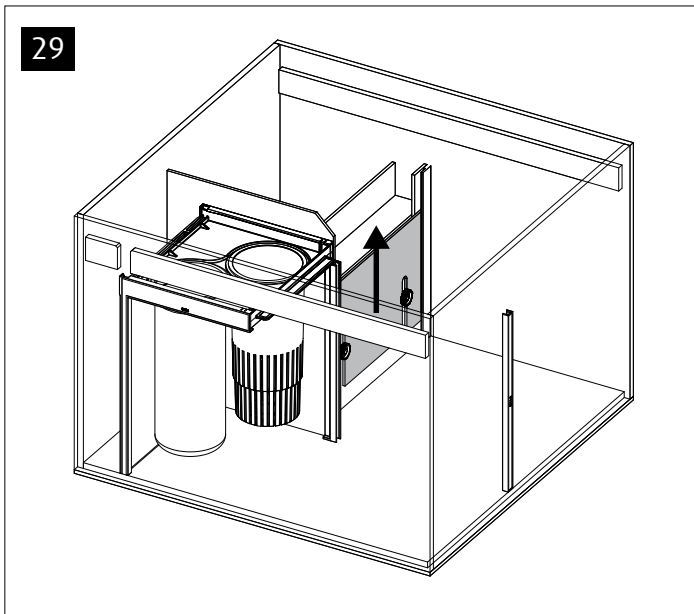
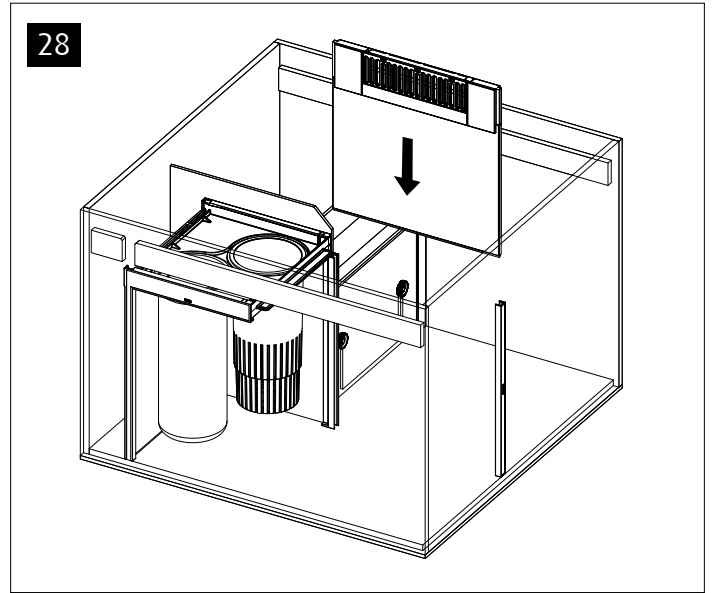
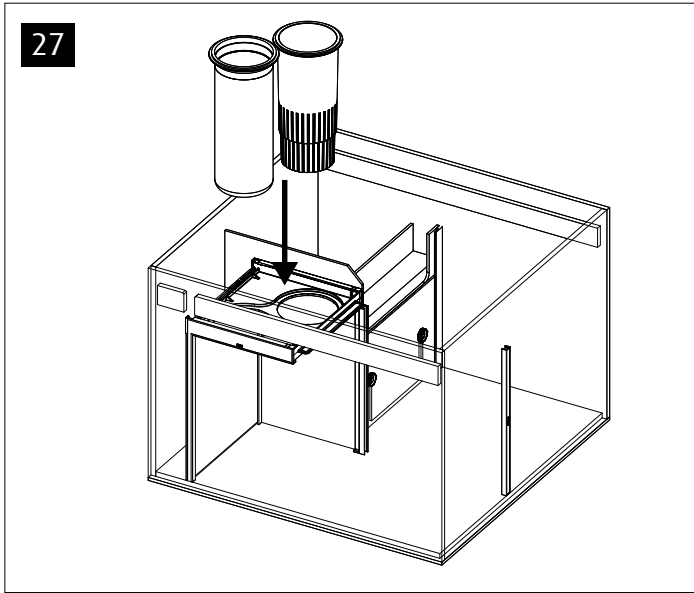


23



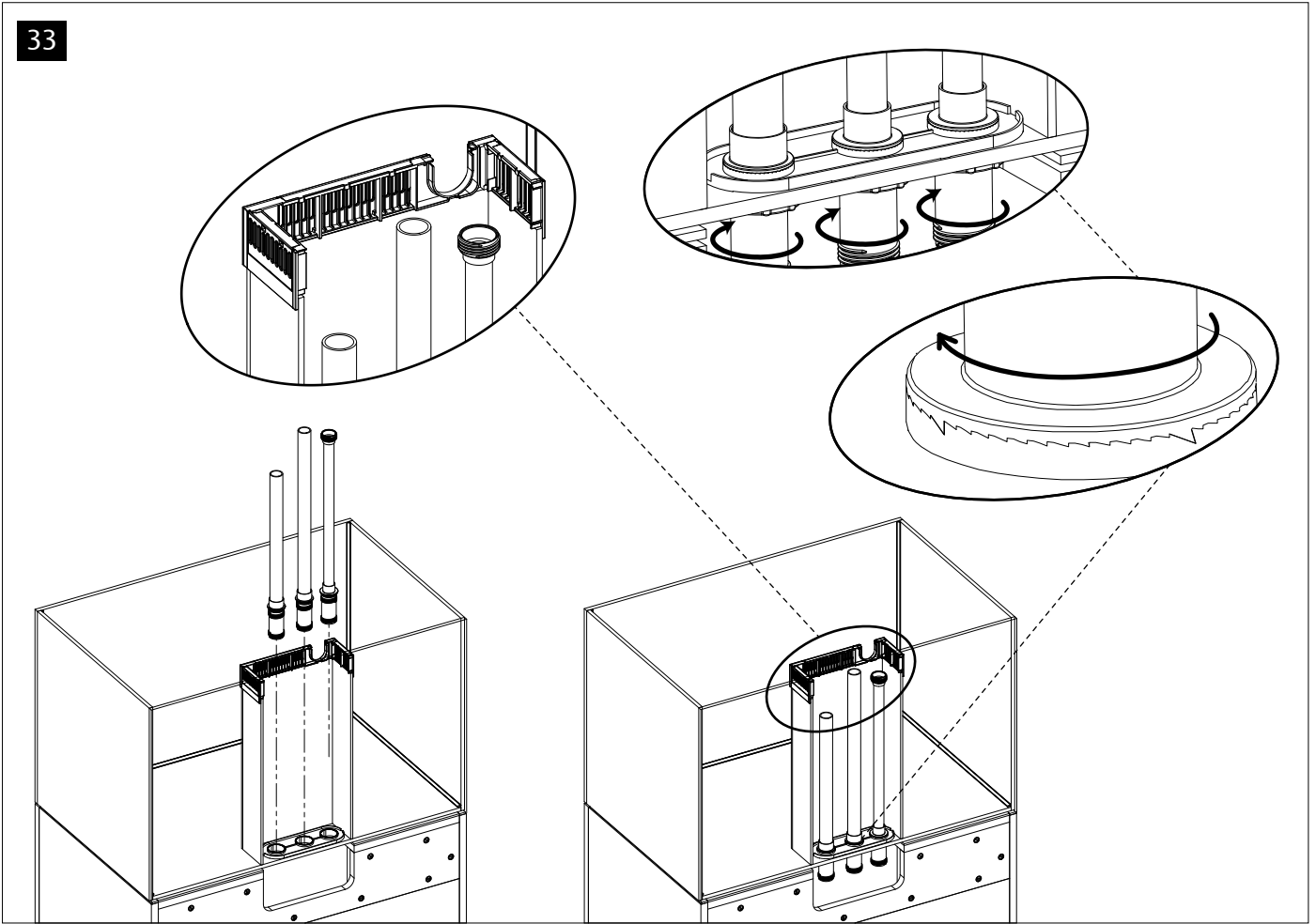
24



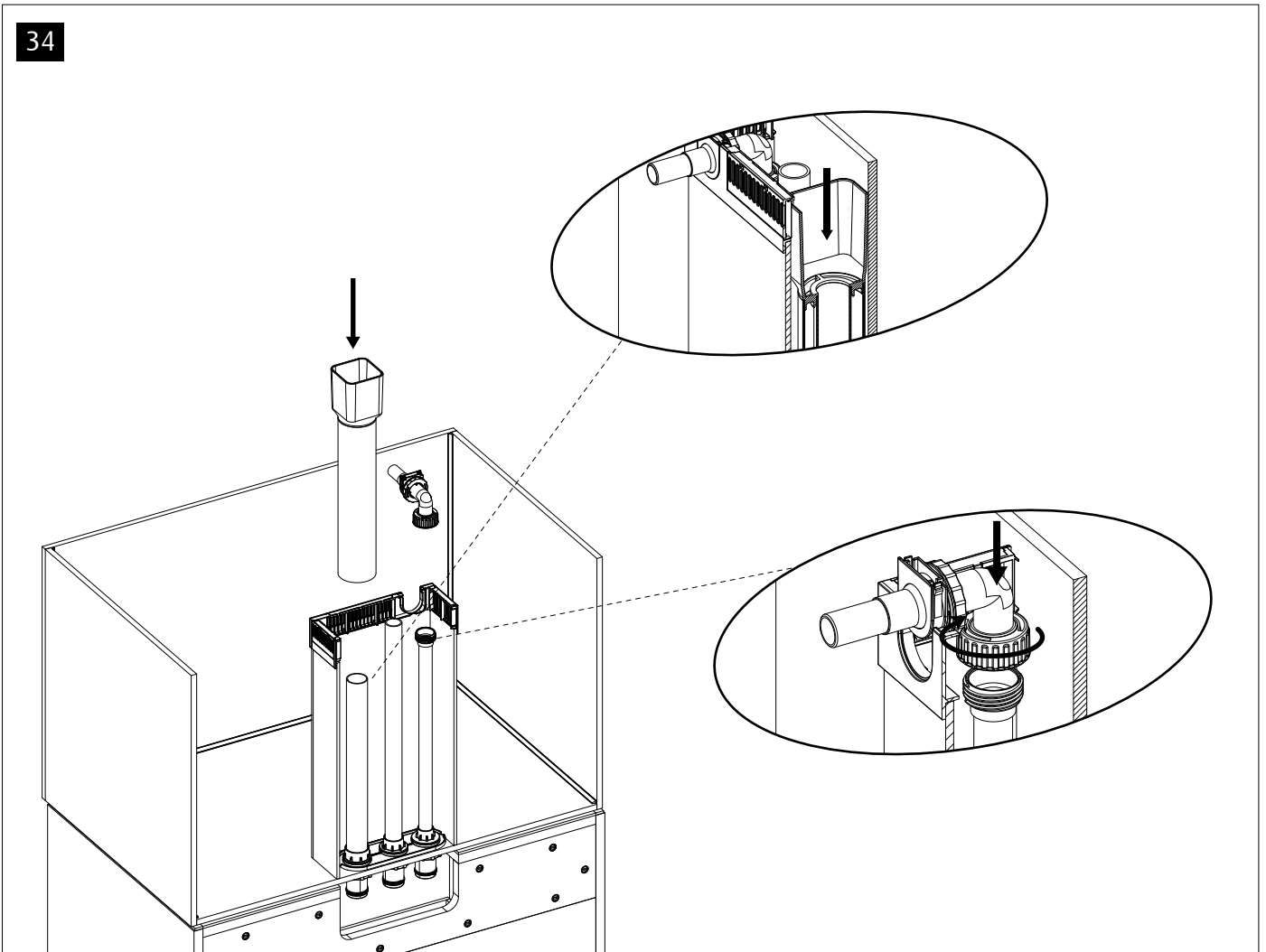




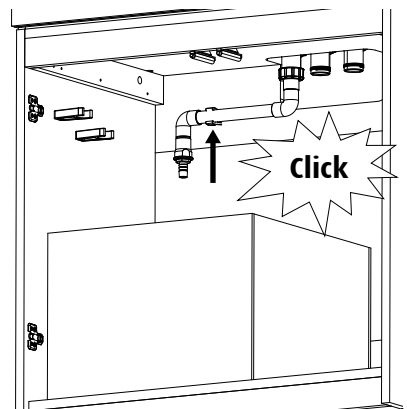
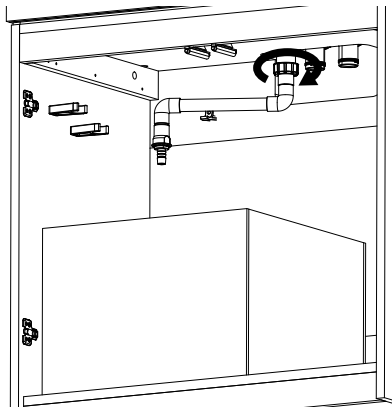
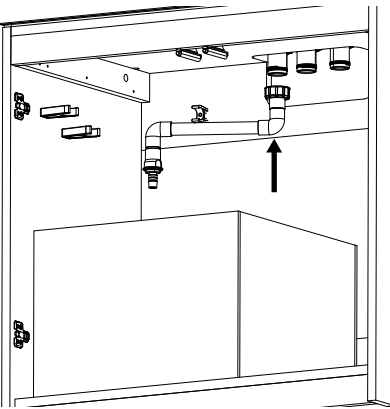
33



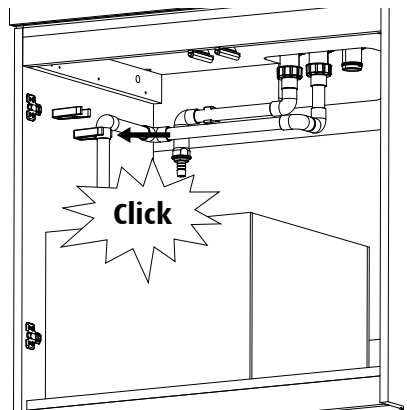
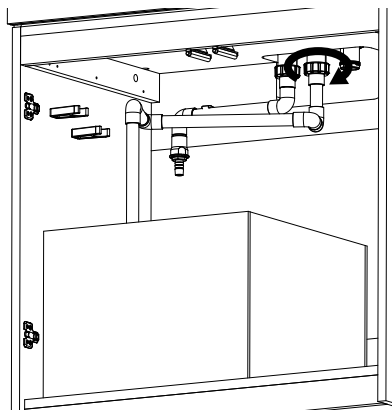
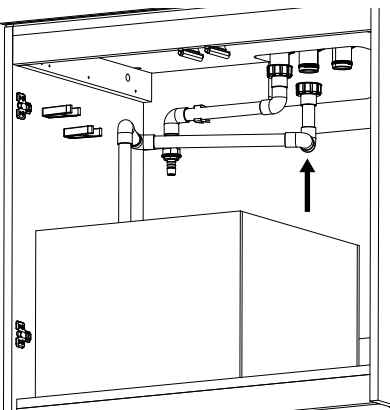
34



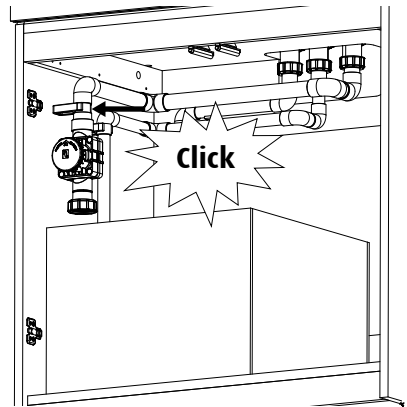
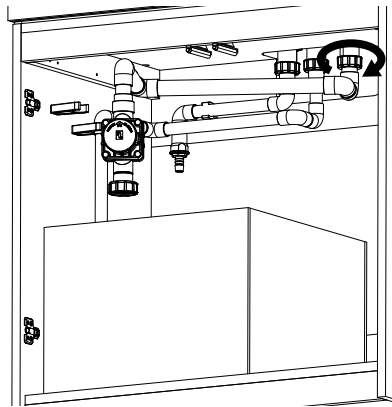
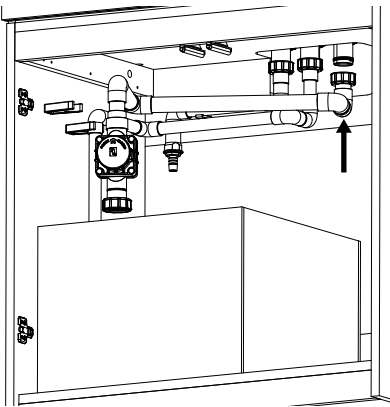
35



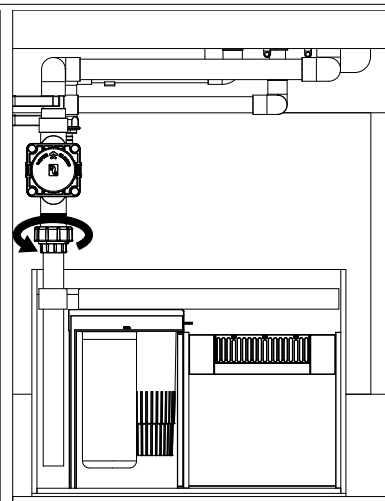
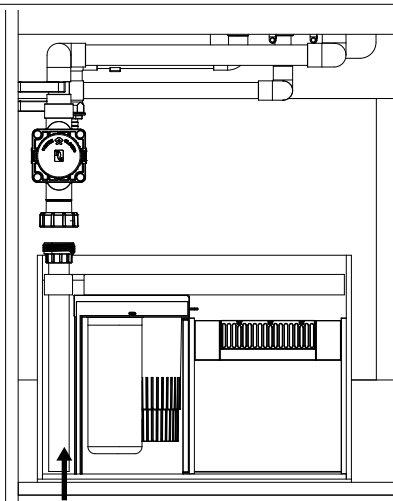
36

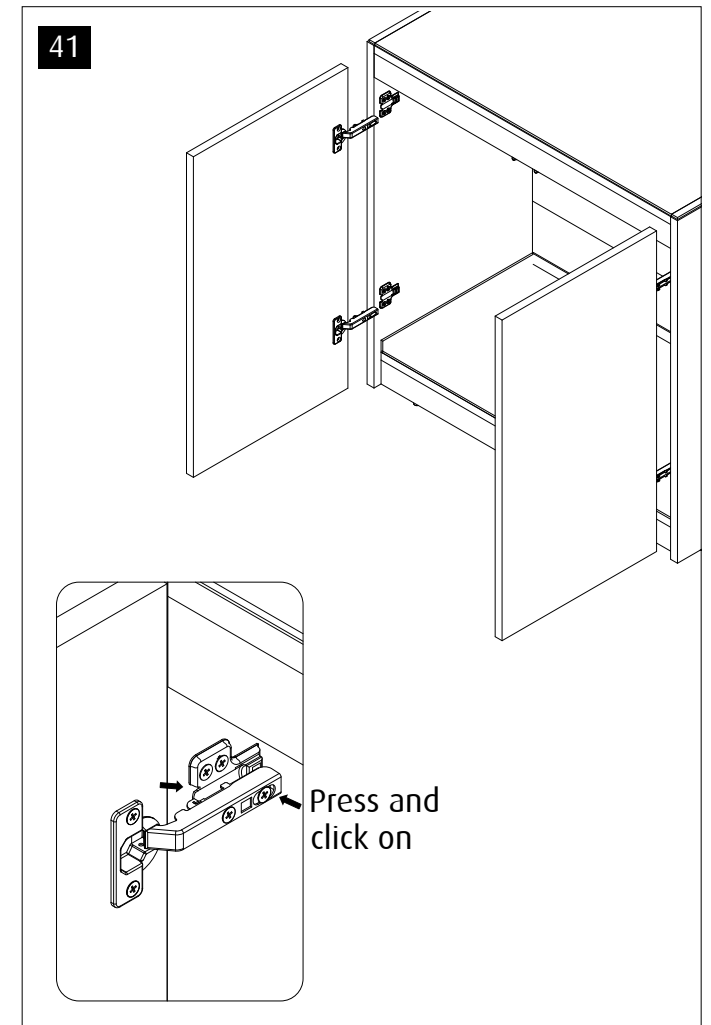
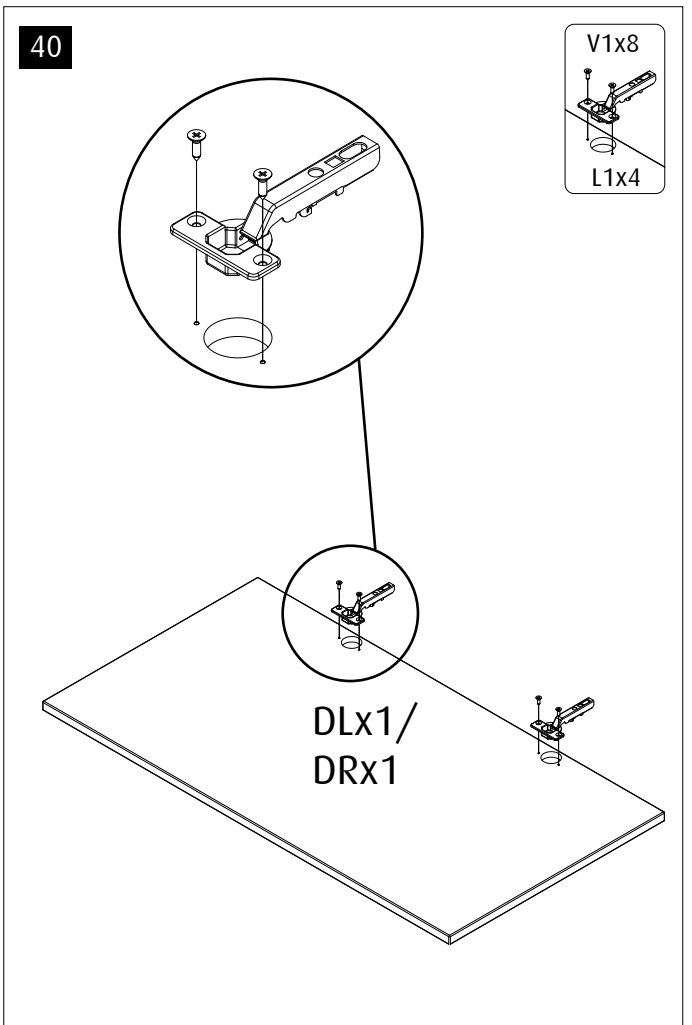
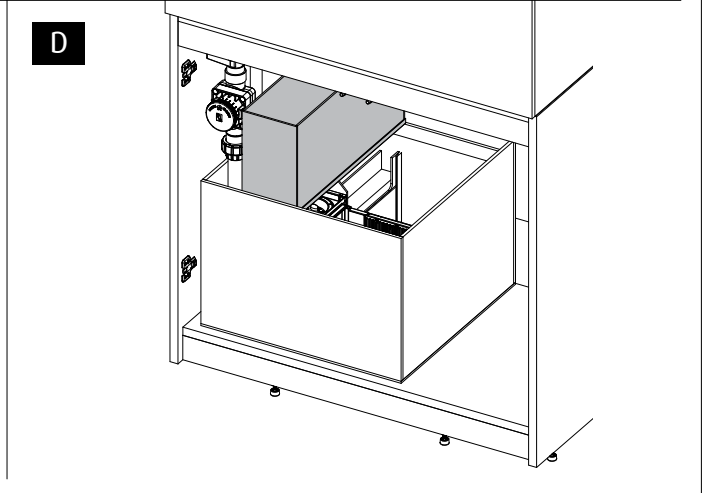
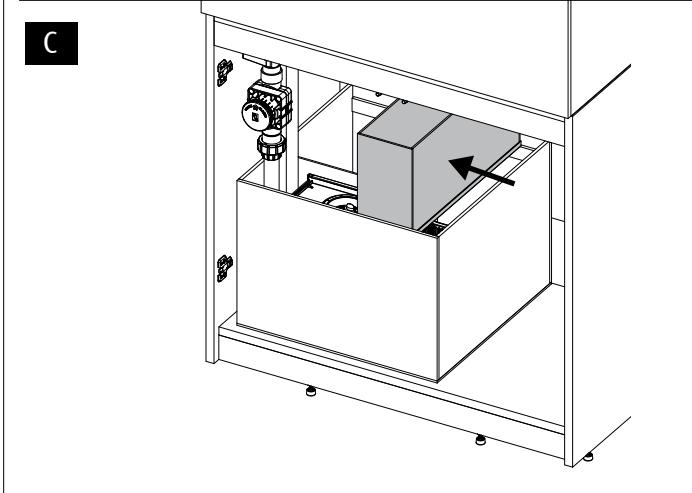
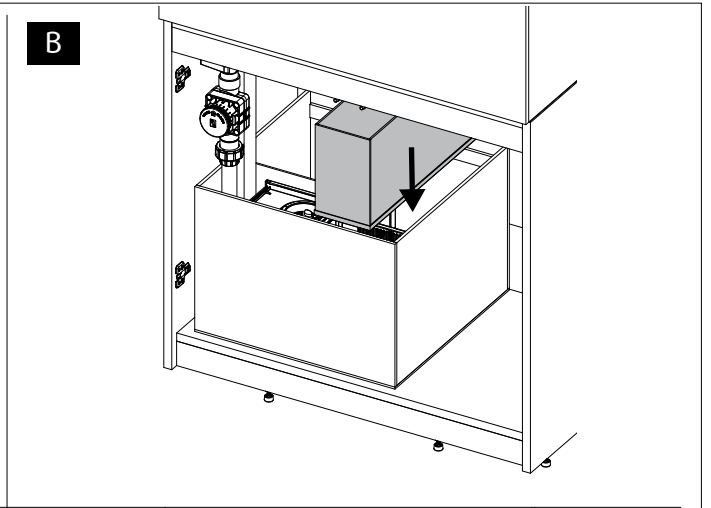
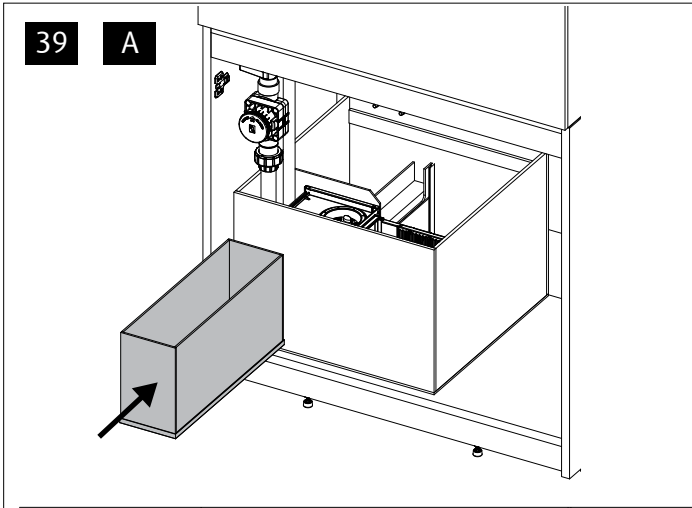


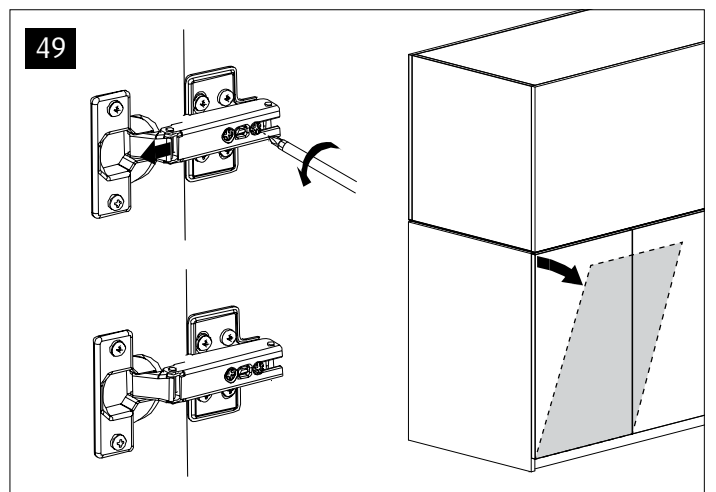
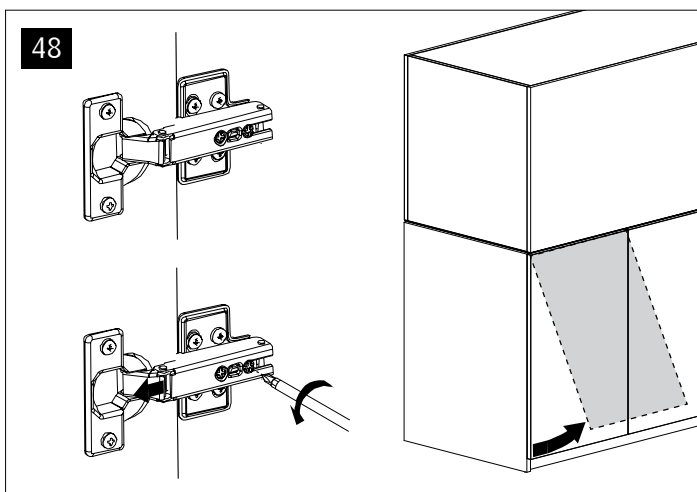
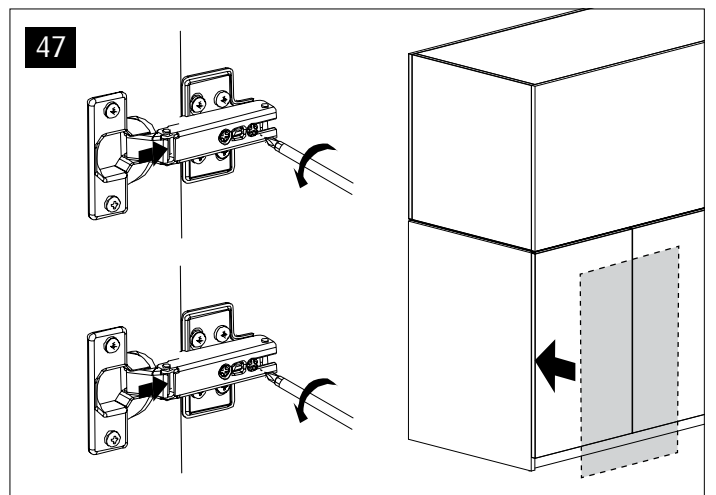
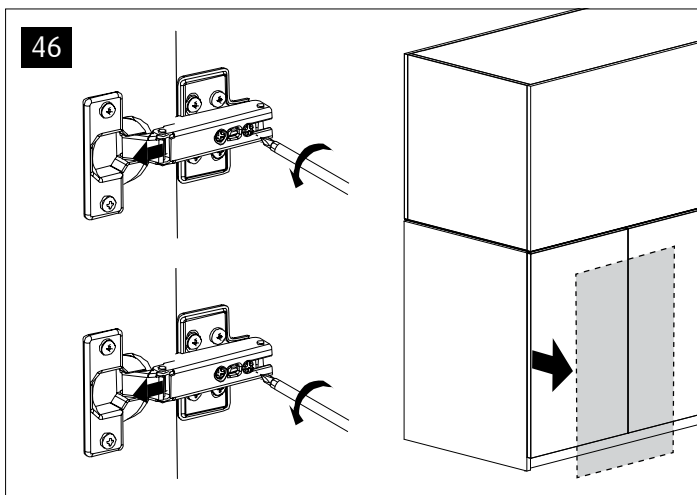
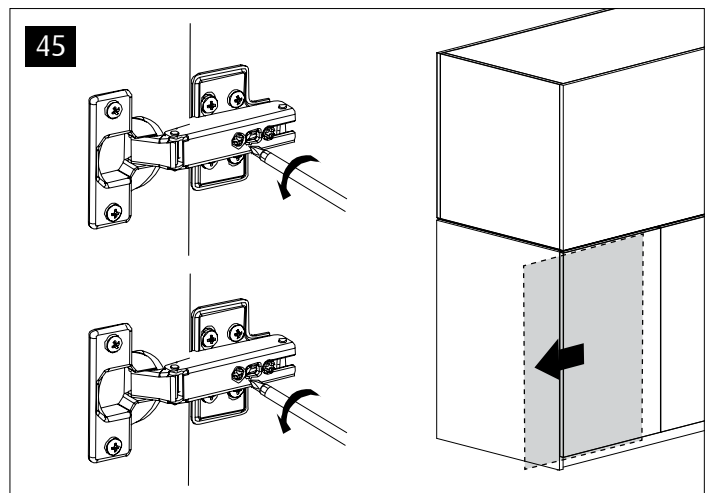
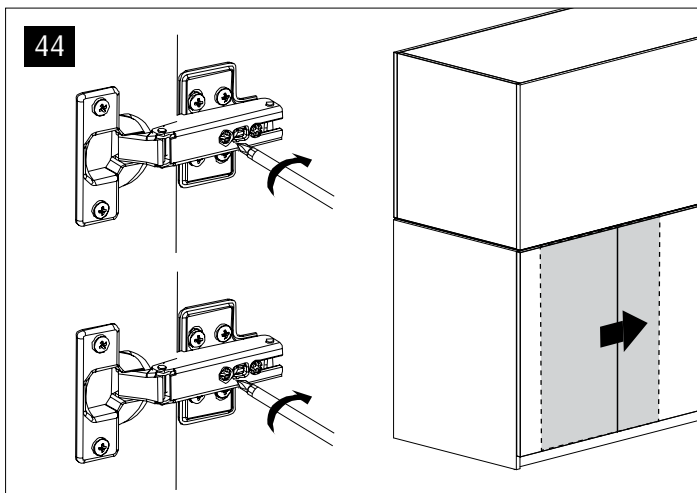
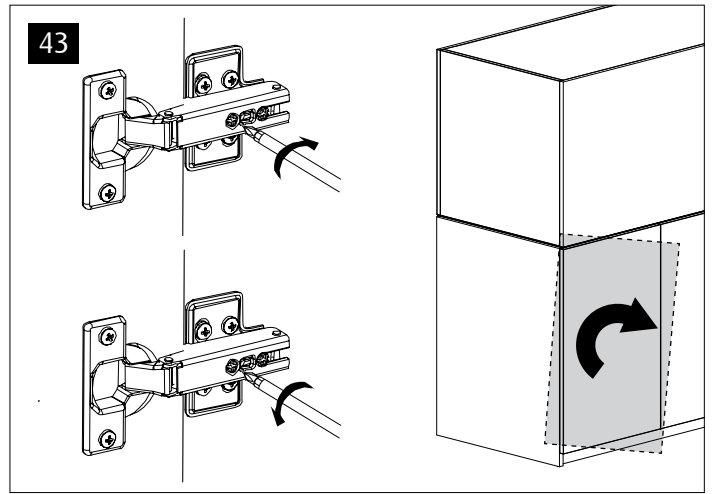
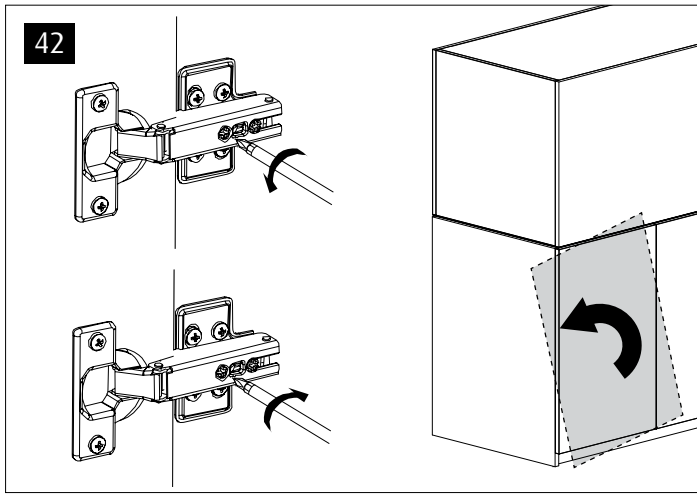
37

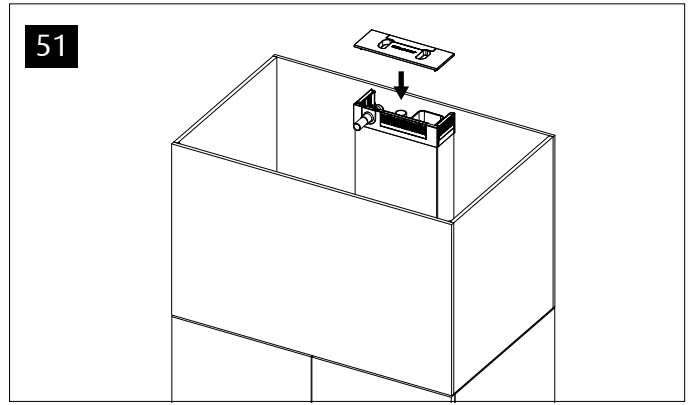
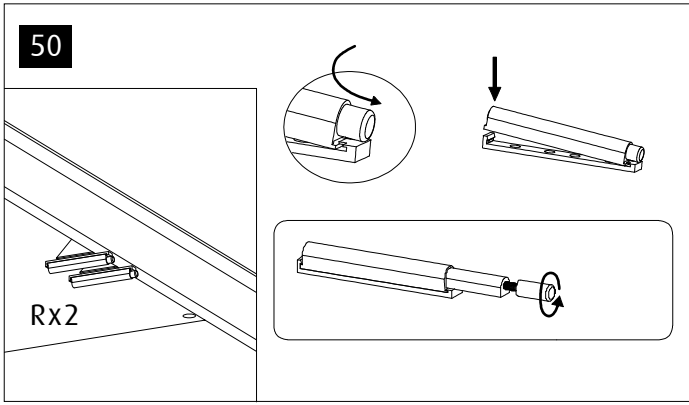


38

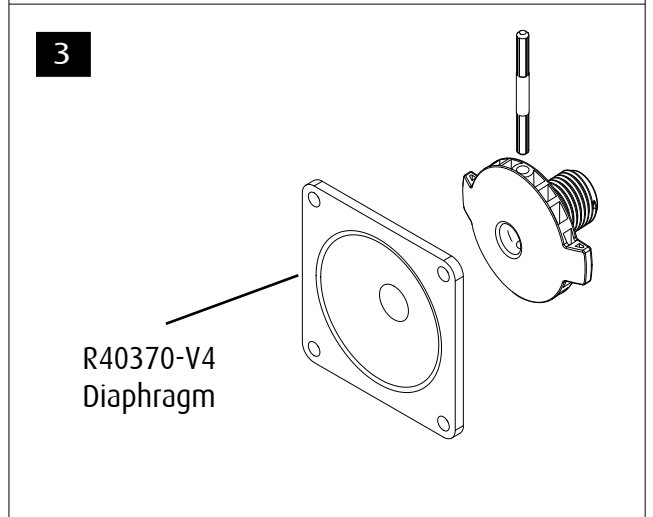
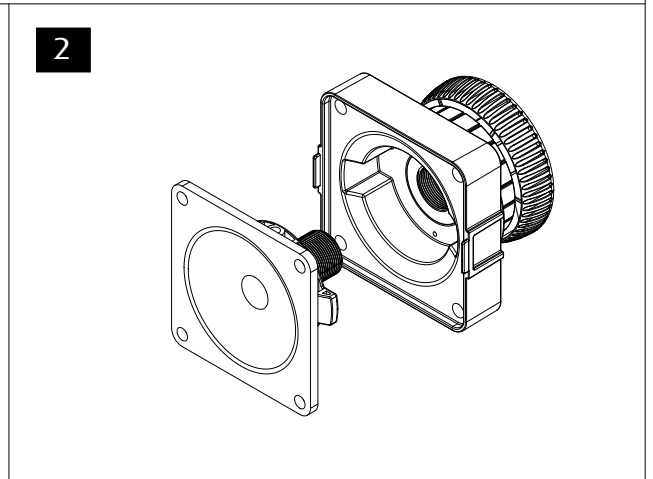
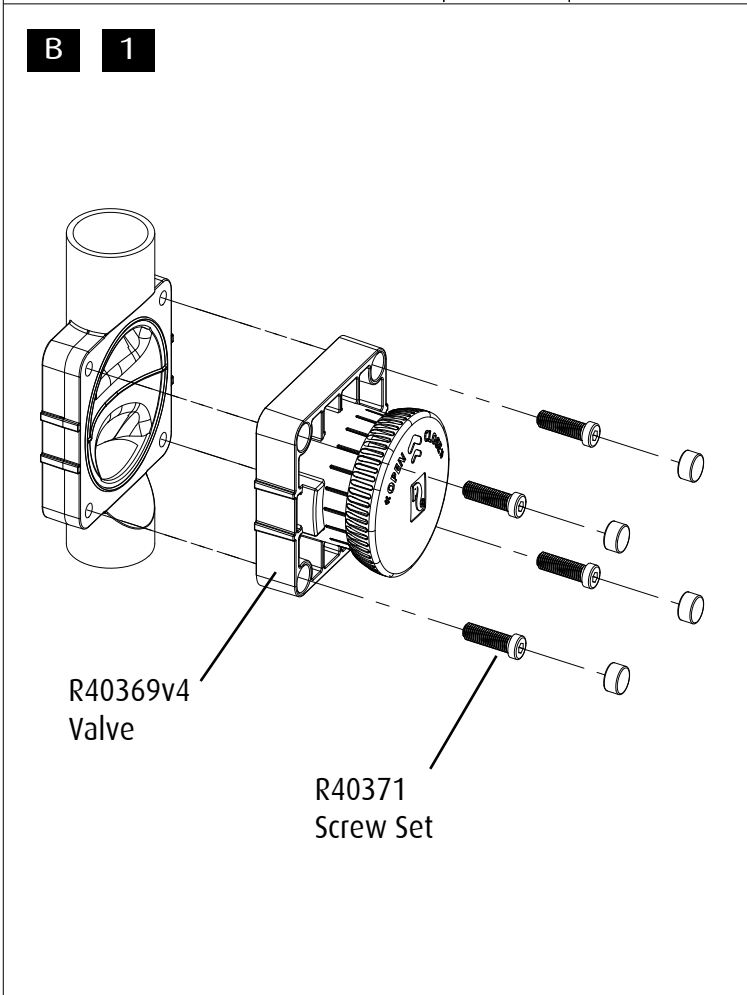
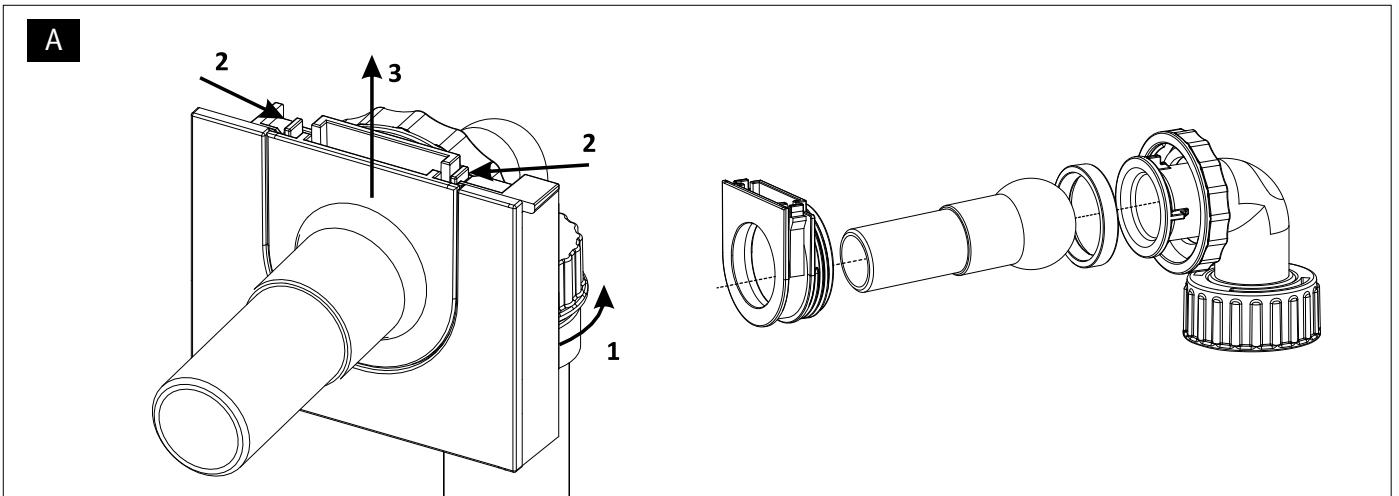




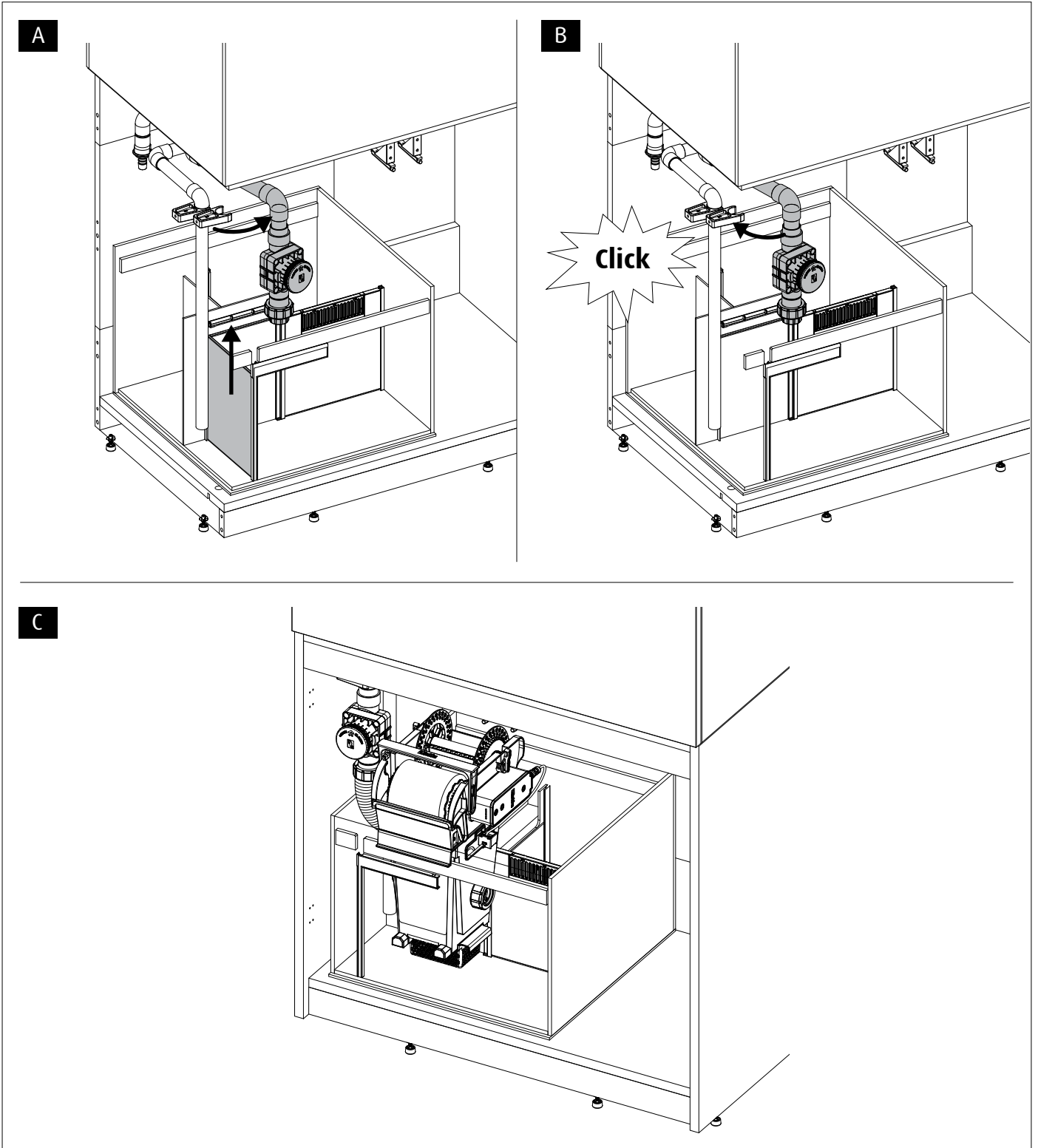
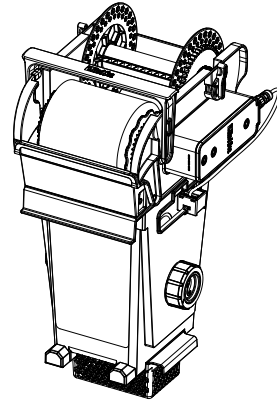




## MAINTENANCE



# ReefMat®





*Europe*

**Red Sea Europe**  
655 Rue des Frères Lumière  
27130 Verneuil d'Avre et d'Iton,  
France  
[support.fr@redseafish.com](mailto:support.fr@redseafish.com)

*UK & Ireland*

**Red Sea Aquatics (UK) Ltd**  
PO Box 1237  
Cheddar, BS279AG  
[uk.info@redseafish.com](mailto:uk.info@redseafish.com)

*North America*

**Red Sea U.S.A & Canada**  
4687 World Houston Parkway  
#200  
Houston, TX 77032, U.S.A  
[support.usa@redseafish.com](mailto:support.usa@redseafish.com)

*Germany & Austria*

**Red Sea Deutschland**  
Büro Deutschland  
Prinzenallee 7 (Prinzenpark)  
40549 Düsseldorf  
[support.de@redseafish.com](mailto:support.de@redseafish.com)

*China*

**Red Sea Aquatics (GZ) Ltd.**  
Block A3, No.33 Hongmian Road,  
Xinhua Industrial Park,  
Huadu District, Guangzhou City,  
China, Postal code 510800.  
Tel: +86-020-6625 3828  
[info.china@redseafish.com](mailto:info.china@redseafish.com)

  
[www.redseafish.com](http://www.redseafish.com)