



REEFER™ G2 Series

Operation Manual

ENG | FR | DE | CHN | JP



ENG | 1-11

DE | 12-23

FR | 24-35

CHN | 36-47

JP | 48-59

 **Red Sea**

Register

Your system online
to extend your warranty

Register your new system and enjoy a free, extended 1-year warranty on the aquarium glass, in addition to the standard 2-year system warranty*:

www.redseafish.com/register



Red Sea REEFER™ G2 SERIES

Reef-Ready systems for advanced hobbyists

Operation Manual

REEFER™ Operation Manual

Safety	4
Location	5
Assembly	6
Overview of the REEFER™ water management system	8
Operation	9
Maintenance	10
Warranty	11

Congratulations on your purchase of the Red Sea REEFER™ reef system.

Red Sea's REEFER™ Systems provide advanced hobbyists with a solid foundation for building a fully featured reef or marine aquarium. The REEFER™ Series combines a contemporary, rimless, ultra-clear glass aquarium with a stylish cabinet and a comprehensive water management system, including a professional sump with integrated automatic top-up, and Red Sea's unique silent down-flow system.

Incorporating technologies originally developed for Red Sea's all-in-one MAX® coral reef systems, the REEFER™ series is designed for ease of operation while enabling hobbyists to install an unlimited choice of lighting, filtration, circulation and controllers to create a uniquely customized system.

This manual complements the graphic assembly manuals and contains installation and operational instructions for all of the REEFER™ series aquariums.

We hope that you enjoy your REEFER™ and your reef.

To benefit from product update information and exclusive special offers to registered REEFER™ owners, please register your REEFER™ on-line at redseafish.com

1 Safety

Please read and follow all safety instructions.

DANGER: To avoid possible electric shock, special care should be taken when handling a wet aquarium. For each of the following situations, do not attempt repairs yourself; return the appliance to an authorized service facility for service or discard the appliance.

WARNING: To guard against injury, basic safety precautions should be observed, including the following:
Do not operate any appliance if it has a damaged cord or plug, if it is malfunctioning, or if it is dropped or damaged in any manner.

If the external cable is damaged, it shall be replaced by the manufacturer.

To avoid the possibility of the appliance plug or receptacle getting wet, position the aquarium stand and tank to one side of a wall mounted receptacle to prevent water from dripping onto the receptacle or plug. You should create a “drip loop” (see Figure 1) for each cord connecting an aquarium appliance to a receptacle. The “drip loop” is that part of the cord below the level of the receptacle, or the connector. Use an extension cord, if necessary, to prevent water traveling along the cord and coming into contact with the receptacle. If the plug or receptacle does get wet, DO NOT unplug the cord. Disconnect the fuse or circuit breaker that supplies power to the appliance. Then unplug the device and examine for presence of water in the receptacle.

Close supervision is necessary when any appliance is used by or near children.

To avoid injury, do not contact moving parts.

Always unplug an appliance from an outlet when not in use, before putting on or taking off parts, and before cleaning. Never pull the cord itself to remove the plug from the outlet. Grasp the plug and pull to disconnect.

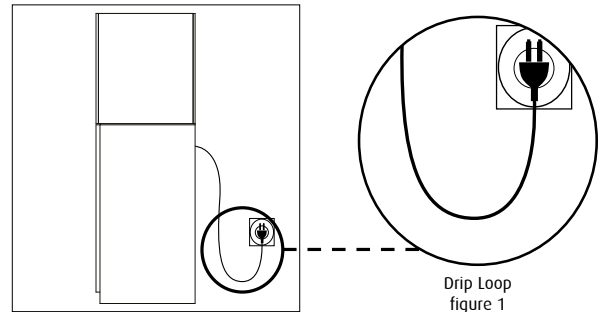
Do not use an appliance for anything other than its intended use. The use of attachments not recommended or sold by the appliance manufacturer may cause an unsafe condition.

Do not install or store the appliance where it will be exposed to the weather or to temperatures below freezing point.

Make sure an appliance mounted on a tank is securely installed before operating it.

Read and observe all the important notices on the appliance.

NOTE: A cord rated for less amperes or watts than the appliance rating may overheat. Care should be taken to arrange the cord so that it cannot be tripped over or pulled accidental.



2 Location

The first step in setting up the REEFER™ is to choose a suitable location.

Weight

The flooring directly below the system must be rated to support the following weight:

Approximate total weight of system including water							
Model	Nano	170 G2	200 G2	250 G2	300 G2	350 G2	
Weight	180kg/ 400lb	275Kg/ 607lb	315kg/ 695lb	380Kg/ 840lb	470kg/ 1035lb	530kg/ 1170lb	
Model	425 G2	525 G2	625 G2	750 G2	900 G2	P500 G2	P650 G2
Weight	690kg/ 1520lb	850kg/ 1875lb	930kg/ 2060lb	1110kg/ 2460lb	1300kg/ 2870lb	760kg/ 1680lb	940kg/ 2080lb
Model	S 850 G2	S 1000 G2					
Weight	1210kg/ 2675lb	1465kg/ 3240lb					

Room temperature

Site selection is important for correct temperature maintenance. We recommended that you keep the ambient room temperature a comfortable and stable 22°C / 72°F. Avoid placing the tank in front of an air conditioner, heating vents or direct sunlight. A well ventilated room with moderate light is the best place to position the aquarium.

Accessibility

Ensure that there is at least 10cm / 4” of clearance behind the REEFER™ to allow easy access for installing/removing cables from the sump as well as sufficient air circulation for a chiller (larger models only). It is recommended to leave approximately 60cm/24” between one of the sides of the aquarium and any adjacent walls or furniture for access to the rear of the tank.

General considerations

Ensure that the area surrounding the aquarium is waterproof and consider moving away anything that water might damage or may be corroded by the salt.

NOTE: The REEFER™ system should not be moved when full of water.

3 Assembly

The following information complements the graphic manuals.

WARNING: If you are not experienced in the construction of self-assembly furniture or the installation of aquarium systems, seek suitably qualified assistance.

ATTENTION: The top board of the cabinet (Part C) and some other parts of the cabinet (in certain models) are packed under the aquarium. In order to retrieve these parts, remove the aquarium from its packaging. Make sure to avoid contact between the Bulkheads on the bottom of the tank and the floor, by placing the glass aquarium on Styrofoam parts that are used in the package.

The REEFER™ includes the following main components:

- Glass aquarium
- Cabinet (self-assembly)
- Glass Sump including Bubble trap sponge, 225 micron filter bags/media cups (according to model) and Float valve for automatic top-up
- Internal Piping kit with outlet nozzle
- Top-up reservoir (not included with REEFER 900 G2 & REEFER-S 850 G2 /1000 G2)
- Glass Extension Sump (REEFER 900 G2 and REEFER-S 850 G2 / 1000 G2 models only)

Detailed instructions for the complete assembly of the REEFER™ can be found in the accompanying graphic manuals.

Complete the assembly of the cabinet including the doors as shown in the graphic assembly manual and place in the final operating position (see location above).

NOTE: It is important to assemble the REEFER™ in the order indicated.

WARNING: Read before lifting the glass aquarium onto the cabinet.

The top of the cabinet is approximately 86cm/34" (100cm/40" for Peninsula) from the floor.

The table shows the approximate weights of the different models of the REEFER™ aquarium glass.

Approximate weight of Aquarium Glass							
Model	Nano	170 G2	200 G2	250 G2	300 G2	350 G2	
Weight	25kg/ 55lb	35Kg/ 77lb	40kg/ 88lb	55Kg/ 122lb	58kg/ 128lb	64kg/ 140lb	
Model	425 G2	525 G2	625 G2	750 G2	900 G2	P500 G2	P650 G2
Weight	95kg/ 210lb	125kg/ 275lb	155kg/ 340lb	195kg/ 430lb	225kg/ 500lb	105kg/ 230lb	170kg/ 375lb

Model	S 850 G2	S 1000 G2
Weight	226Kg/ 500lb	258Kg/ 570lb

Ensure that you have the correct number of people to lift the aquarium according to its weight and size.

Ensure that anyone lifting the aquarium is physically suitable for such an operation and has been instructed in the correct methods of lifting heavy objects.

Once the aquarium is correctly aligned with the cabinet, check that the cabinet has not moved. If necessary readjust the position of the cabinet.

For units with adjustable legs: Using a spirit level on the top surface of the glass tank, adjust the height of the legs to level the aquarium. Make sure that all legs are touching the floor.

NOTE: The REEFER™ aquarium system should not be moved when full of water.

Before placing the glass sump in the cabinet make sure that the cabinet doors are correctly aligned (see instructions in the cabinet assembly manual). **Once the sump is in position it will not be possible to make adjustments to the lower hinge without moving the sump.**

With the doors properly aligned, rotate the front section of the push opener to the correct extension so that the doors will pop open when pushed.

Overflow box pipes: Make sure that the O-rings are in position on the threaded connectors before assembly. To ensure correct assembly, firmly hold the threaded connectors from inside the cabinet and tighten well by hand. Do not use tools. Avoid unscrewing the pipes from the overflow box once assembled as the locking mechanism that prevents counter-rotation will be less effective.

Sump pipes: Make sure that the O-rings are in position on the connectors before assembly. After assembly check that the pipes are vertical and the securing nut is holding the pipe in position. Do not use tools and do not overtighten.

Overflow Box Cover: The overflow box cover reduces noise from the water fall of the surface skimmer. If you wish to use the rear wall of the overflow box for mounting equipment such as lighting, break out the section of the cover as shown in the graphic manual. After breaking out the removable section, smooth the remaining edge with a file or sandpaper.

4 Overview of the REEFER™ water management system

Surface Skimmer / Overflow Box

Surface water from the aquarium flows via the removable comb sections of the surface skimmer into the overflow box that houses the dual intakes of the silent-flow downpipe system and the outlet nozzle of the sump return pump. The silent-flow downpipe system includes a flow-regulated main downpipe and a secondary overflow bypass pipe. An external pipe with a clear upper section is placed over the main downpipe to ensure positive water motion throughout the entire height of the overflow box.

The fine adjustment flow valve on the main downpipe enables the water level in the overflow box to be maintained at a constant height between the intakes of the main and bypass pipes, which ensures positive surface skimming while eliminating all noise from the water flow to the sump. An incorrect setting of the flow valve will be accompanied by the sound of the water returning to the sump and is an indication that the flow valve needs adjusting.

Sump /ATO

Water from the flow-regulated main downpipe and the secondary overflow bypass pipe enter a compact reception chamber in the sump. **Care should be taken in the choice of any filter media placed in the reception chamber as the turbulent flow conditions from the downpipe could cause a constant discharge of fine media particles.**

The water then flows through the 400 micron filter before entering the constant-height main reactor or skimmer chamber. If the filter bags are not cleaned frequently enough and become blocked, the water will bypass the filter bags without affecting the overall operation of the sump.

A bubble trap labyrinth with coarse foam separates the reactor chamber from the pump compartment to prevent bubbles from the skimmer being returned to the aquarium.

Any loss of water due to evaporation will cause a drop in the water level in the pump compartment of the sump which will be compensated by the ATO system.

Maintaining a constant water height in the pump compartment (with the ATO) is essential for the stability of the entire water management system by ensuring a constant head pressure on the intake of the main pump. The reservoir contains water for approximately 3 days of evaporation and should be kept topped up at all times.

5 Operation

Return Pump

The recommended flow rates for the return pumps are as shown in the table below. The use of higher rated pumps will result in a higher water level in the aquarium unless an appropriate modification is made to the surface skimmer combs.

Recommended flow rate for return pumps					
Model	Nano	170 G2	200 G2	250 G2	300 G2
Flow	2000lph /530gph	2000lph /530gph	2000lph /530gph	2500lph /660gph	3000lph /790gph

Model	350 G2	425 G2	525 G2	625 G2
Flow	3000lph /790gph	4000lph /1060gph	5000lph /1325gph	6000lph /1600gph

Model	750 G2	900 G2	P500 G2	P650 G2
Flow	7000lph /1850gph	10000lph /2640gph	6000lph /1600gph	7000lph /1850gph

Model	S 850 G2	S 1000 G2
Flow	9,000lph/ 2,385gph	10,000lph/ 2650gph

Initial Fill

Check that all pipes are properly assembled and that any flexible tubes are suitably secured in position.

Install any equipment that will take up water volume in the sump before starting to fill the system.

Open the main flow valve (rotate anti-clockwise) to maximum.

Add approximately 15cm/6" of water to the overflow box to make sure that all the pipe joins are watertight. Check for leaks inside the cabinet.

Add water to the main tank and once it is full, monitor the water level in the sump as it begins to fill.

As soon as there is approximately 15cm/6" of water in the main pump

WARNING: Overfilling the sump with equipment or water may cause a flood in the event of an interruption of electric power.

compartment switch on the pump and stop adding water.

Switch on skimmers or other filters that will affect the water level in the sump and add more water as required to maintain the 15cm/6" of water in the main pump compartment.

Allow the system to run for a few minutes and adjust the flow valve (as described below) so that the water level in the overflow box is at the correct level.

Add/remove water to/from the system and adjust the flow valve until the water levels in the system stabilise.

Main downpipe valve adjustment

To raise the water level in the overflow box, rotate the valve clockwise. To lower the water level in the overflow box, rotate the valve counter clockwise.

The main downpipe flow valve provides a very fine control of the flow rate however after making adjustments it takes the system a few minutes to stabilize at the new setting.

Once you have established the approximate setting for the valve make very small adjustments and wait for a few minutes each time. It may take a number of occasional adjustments to reach a stable level. When set properly this system removes all of the noise of water flowing down to the sump.

ATO

On initial set-up, wait until the saltwater system is stable before using the ATO. Ensure that the top-up flow valve is fully closed.

Fill the top-up reservoir with RO water. Disconnect the top-up flow valve from the float valve and slowly open the flow valve until the top-up water drips at a rate of approximately 1 drop per second. Reconnect the flow valve to the float valve.

Adjust the angle of the float so that the valve is closed when the water level is above the inlet of the pump but below the top of the bubble trap.

NOTE: It is recommended to close the valve on the outlet of the reservoir whenever doing maintenance in the sump

Power-out test

After completing the initial set up and after adding any new equipment to the sump, make any adjustments necessary to the main valve to stabilise the system and perform a “power-out” test to check that water does not rise above the rim of the sump.

6 Maintenance

For continuous smooth operation of the water management system make regular checks of the following:

- Water level in the overflow box - adjust the flow valve as required
- Water level in the reservoir – top up with RO water as required
- Water level in the sump, check that the top-up float valve is operating correctly
- Micron Filter Bags – check that water is flowing through the bags and clean/replace as required
- Surface skimmer combs – remove any deposits that reduce water flow
- Pump outlet nozzle – check for blockages and build-up of algae

Micron Filter bags

It is recommended to have at least 3 sets of filter bags.

There are a few options for cleaning the filter bags:

Quick and effective – Spray the outside of the bags with a powerful water jet such as a garden hose to back-flush the detritus from the Polyester bag.

More thorough – soak the bags in bleach or diluted vinegar for 24 hours prior to spraying as above. Rinse well to remove all chemicals before returning to sump.

The filter bags can also be put in a cold wash in a washing machine with regular detergent or with vinegar (may require approval from a higher authority).

Warranty

Red Sea Aquarium Products Limited Warranty.

Thank you for purchasing a Red Sea Aquarium System (hereinafter “the Product”).

Red Sea Aquatics (UK) Ltd. (hereinafter “Red Sea”) warrants the product against manufacturer’s defects in material and workmanship for 24 months from your date of purchase. If you register your product, Red Sea will provide you with an additional 12 months of warranty on the glass aquarium only (but not on any other components of the Product). In jurisdictions where warranty terms conditioned on registration are prohibited by law, registration is not required, and you shall receive the additional 12 months warranty on the glass aquarium even if you do not register.

You can register your Product at www.redseafish.com

The warranty provided by Red Sea is NOT TRANSFERABLE AND IS LIMITED TO THE ORIGINAL PURCHASER. If the Product is eligible under this warranty, Red Sea will either repair the Product free of charge (not including shipping costs) with new or refurbished parts or replace the Product with a new or refurbished Product at Red Sea’s sole discretion.

This warranty DOES NOT COVER normal wear and tear, or items that have a limited natural life or are consumable, such as, but not limited to impellers, sponges, filter socks, and “O” rings. It also DOES NOT COVER damage which occurs in shipment and/or failures or defects resulting from use outside the normal, and/or natural disasters, accidents, power line surges, neglect, improper installation, operation or maintenance, servicing of the Product conducted by anyone other than an authorized Red Sea service center, or failure to use or assemble the Product in accordance with any instructions provided (in the Product manual or

otherwise) or the technical and/or safety standards of the country in which the Product is used. Additionally, any modification of the Product other than by an authorized Red Sea service center will invalidate this warranty.

In order to effect this warranty, please contact your local service center. For your convenience, details of authorized service centers can be found on Red Sea’s website. Proof of purchase will be required before warranty performance is rendered.

The sole and exclusive remedy against Red Sea shall be for the repair or replacement of the Product as provided above. NO OTHER REMEDY (including but not limited to, incidental or consequential damages for lost profits, lost sales, or any other incidental or consequential loss) shall be available. Some jurisdictions do not allow the exclusion of incidental or consequential damage, so the above limitation may not apply to you. To the full extent allowed by applicable law, in no event shall Red Sea be liable for any loss or damage to aquatic life, and/or damage to other property and/or individuals resulting from the use of the Product or arising out of any breach of this warranty. All implied warranties are excluded to the full extent allowed by applicable law, and to the extent that they may not be excluded, are limited to the applicable warranty period set forth above. Some jurisdictions do not allow limitations on how long an implied warranty or condition lasts, so this limitation may not apply to you. The express warranties made in this warranty are exclusive and may not be altered, enlarged, or changed by any distributor, dealer, or other person, whatsoever.

USA

Some states do not allow the exclusion or limitation of incidental or consequential damages, or limitations on how long an implied warranty lasts, so the above exclusion or limitations may not apply.

Registrieren

Sie Ihr System online,
um Ihre Garantie zu verlängern

Registrieren Sie Ihr neues System und genießen
Sie zusätzlich zur standardmäßigen 2-Jahres-
Systemgarantie eine kostenlose, erweiterte
1-Jahres-Garantie auf das Aquarienglas*:

www.redseafish.com/de/register



Red Sea REEFER™ G2 SERIE

Innovative rahmenlose Riffsysteme für alle anspruchsvollen Aquarianer

Bedienungsanleitung

REEFER™ Bedienungshandbuch

Sicherheit	16
Standort.....	17
Montage	18
Übersicht zum Wassermanagementsystem des REEFER™ ...	20
Betrieb.....	21
Wartung	22
Garantie.....	23

Herzlichen Glückwunsch zu Ihrem Kauf des Red Sea REEFER™ Riffsystems.

Die Red Sea REEFER™ Aquariumserie bietet dem erfahrenen Aquarianer eine solide Grundlage zum Aufbau eines Riff- oder Meerwasseraquariums. Die REEFER™ Serie vereint ein zeitgemäßes, rahmenloses Ultraklarglasaquarium mit einem eleganten Unterschrank und einem umfassenden Wassermanagementsystem, welches ein professionelles Technikbecken mit integrierter Nachfüllautomatik und den einzigartig leisen Überlauf von Red Sea enthält.

Einschließlich der Technologien, die eigens für die "All-In-One" MAX® Korallenriffsysteme von Red Sea entwickelt wurden, wurde die REEFER™ Serie für eine einfache Handhabung konzipiert, die es dem erfahrenen Aquarianer ermöglicht, aus einer unbegrenzten Komponentenvielfalt Beleuchtung, Filterung, Strömung und Steuerungseinheiten zu wählen und sich so sein individuelles, einzigartiges System zusammen zu stellen.

Dieses Handbuch enthält Anleitungen zum Aufbau und Betrieb aller Aquarien der Baureihe Red Sea REEFER™.

Wir hoffen, dass Sie an Ihrem REEFER™ viel Freude haben.

Um in den Genuss von Informationen zu Produkt-Updates und exklusiven Sonderangeboten für registrierte REEFER™-Besitzer zu kommen, registrieren Sie bitte Ihr REEFER™ online unter redseafish.com

1 Sicherheit

Bitte lesen und befolgen Sie alle hier aufgeführten Sicherheitshinweise.

GEFAHR: Zur Vermeidung von Stromschlägen sollten Sie beim Umgang mit einem nassen Aquarium besonders vorsichtig sein. Versuchen Sie in keiner der im Folgenden beschriebenen Situationen Reparaturen selber durchzuführen, sondern geben Sie elektronische Komponenten zur Reparatur an eine autorisierte Kundendienststelle oder entsorgen Sie das Gerät.

WARNUNG: Zum Schutz vor Verletzungen sollten grundlegende Sicherheitsvorkehrungen beachtet werden, einschließlich der folgenden Hinweise:
Betreiben Sie kein Gerät mit beschädigtem Netzkabel oder ein Gerät, das nicht ordnungsgemäß funktioniert, heruntergefallen ist oder anderweitig beschädigt ist.

Um ein Nasswerden des Gerätesteckers oder der Steckdose zu vermeiden, stellen Sie Gestell und Becken des Aquariums neben einer Wandsteckdose so auf, dass kein Wasser auf die Steckdose oder den Netzstecker tropfen kann. Der Benutzer sollte eine „Tropfschleife“ (Abbildung 1) für jedes Netzkabel bilden, das ein Gerät des Aquariums mit der Steckdose verbindet. Die „Tropfschleife“ ist der Teil des Netzkabels, der unterhalb der Steckdose oder der Anschlussdose liegt. Vermeiden Sie wenn möglich ein Verlängerungskabel, um zu vermeiden, dass Wasser am Kabel entlangläuft und mit der Steckdose in Berührung kommt. Wenn der Stecker oder die Steckdose nass wird, Netzkabel NICHT aus der Steckdose ziehen. Schalten Sie die Sicherung oder den Sicherungsschalter des Stromkreises für das Gerät aus. Ziehen Sie erst danach das Netzkabel des Gerätes heraus und überprüfen Sie die Steckdose auf das Vorhandensein von Wasser.

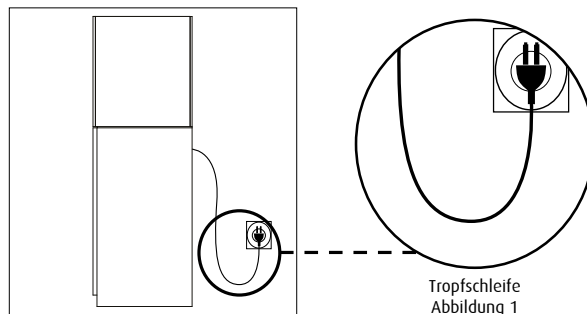
Wenn das Gerät von Kindern oder in der Nähe von Kindern benutzt

wird, müssen diese gut beaufsichtigt werden. Zur Vermeidung von Verletzungen keine Teile berühren, die sich in Bewegung befinden.

Ziehen Sie immer den Netzstecker eines Gerätes, wenn dieses nicht in Gebrauch ist, bevor Sie Teile anbringen oder entfernen und vor dem Reinigen. Ziehen Sie nie am Netzkabel, um den Netzstecker aus der Steckdose zu lösen. Fassen Sie den Netzstecker an und ziehen Sie ihn heraus. Benutzen Sie ein Gerät immer nur für den vorgesehenen Verwendungszweck. Die Verwendung von Anbauteilen, die nicht vom Gerätehersteller empfohlen oder verkauft werden, kann zu einem unsicheren Betriebszustand führen. Installieren oder lagern Sie das Gerät nicht dort, wo es der Witterung oder Temperaturen unter dem Gefrierpunkt ausgesetzt ist. Vergewissern Sie sich, dass ein an ein Becken montiertes Gerät sicher installiert ist, bevor Sie es in Betrieb nehmen.

Lesen und befolgen Sie alle wichtigen Hinweise auf dem Gerät.

HINWEIS: Ein Kabel, das für eine geringere Ampere- oder Wattzahl als die des Gerätes ausgelegt ist, kann sich überhitzen. Achten Sie darauf, dass das Kabel so verlegt wird, dass man nicht darüber stolpern oder es versehentlich herausziehen kann.



2 Standort

Der erste Schritt beim Aufbau des REEFER™ ist die Wahl eines geeigneten Standortes.

Gewicht

Der Fußboden direkt unter dem System muss für die jeweilige statische Belastung ausgelegt sein:

Ungefähres Gesamtgewicht des Systems inklusive Wasserinhalt							
Modell	Nano	170 G2	200 G2	250 G2	300 G2	350 G2	
Gewicht	180kg/ 400lb	275Kg/ 607lb	315kg/ 695lb	380Kg/ 840lb	470kg/ 1035lb	530kg/ 1170lb	
Modell	425 G2	525 G2	625 G2	750 G2	900 G2	P500 G2	P650 G2
Gewicht	690kg/ 1520lb	850kg/ 1875lb	930kg/ 2060lb	1110kg/ 2460lb	1300kg/ 2870lb	760kg/ 1680lb	940kg/ 2080lb
Modell	S 850 G2	S 1000 G2					
Gewicht	1210Kg/ 2675lb	1465Kg/ 3240lb					

Raumtemperatur

Die Wahl des Standortes spielt eine wichtige Rolle für die Aufrechterhaltung der richtigen Temperatur. Vermeiden Sie es, das Becken vor Klimaanlage, Heizlüftern oder in direktes Sonnenlicht zu stellen. Ein gut belüfteter, mäßig heller Raum ist der beste Standort für ein Aquarium.

Zugänglichkeit

Rückseite: Stellen Sie sicher, dass hinter dem REEFER™ ein Freiraum von mindestens 10 cm zur Installation bzw. zum Entfernen von Stromkabeln und für ausreichende Luftzirkulation für einen Kühler verbleibt.

Seitlich: Sorgen Sie für genügend Platz (ca. 60 cm) zwischen den Seiten des Aquariums und benachbarten Wänden oder Möbelstücken, damit Sie Zugang zur Beckenrückseite haben.

Allgemeine Überlegungen

Stellen Sie sicher, dass die Umgebung des Aquariums wasserfest ist und stellen Sie alle Gegenstände fort, die durch Wasser Schaden nehmen oder vom Salz angegriffen werden könnten.

SICHERHEITSHINWEIS: Das REEFER™-Aquarium sollte nicht mehr bewegt werden, wenn es mit Wasser gefüllt ist.

3 Montage

Die folgenden Informationen ergänzen die grafischen Anleitungen.

WARNUNG: Wenn Sie keine Erfahrung im Zusammenbau von Möbeln zur Selbstmontage haben, sollten Sie sich qualifizierte Hilfe suchen.

WARNUNG: Die obere Platte des Schrankes (Teil C) und einige andere Teile des Schrankes (bei bestimmten Modellen) werden unter dem Aquarium verpackt. Um diese Teile zu entnehmen, nehmen Sie das Aquarium aus seiner Verpackung. Achten Sie darauf, den Kontakt zwischen den Schotten am Boden des Beckens und dem Boden zu vermeiden, indem Sie das Glasaquarium auf Styroporteile stellen, die in der Verpackung verwendet werden.

Die REEFER™ enthalten die folgenden Komponenten:

- Glas-Aquarium
- Schrank (zu montieren)
- Technikbecken aus Glas inklusive Blasenfangschwamm, Mikron
- 225-Mikron-Beutel / Filtrationskaps (je nach Modell) und Nachfüllautomatik
- Interne Verrohrung und Rücklauf Düse
- Osmose-Wasserversorgung (nicht enthalten bei REEFER 900 G2 & REEFER-S 850 G2 / 1000 G2)
- Verlängerung Technikbecken (REEFER 900 G2 & REEFER-S nur 850 G2 / 1000 G2).

Genauere Beschreibungen für die vollständige Montage der Aquarien der Baureihe REEFER™ finden Sie in den grafischen Aufbauanleitungen, die mit den Aquarien geliefert werden.

Kompletieren Sie den Aufbau des Unterschranks inkl. der Türen, so wie es in der grafischen Aufbauanleitung gezeigt wird, und stellen es anschließend an einem geeigneten Standort auf (siehe oben: Standort).

HINWEIS: Es ist wichtig, bei der Montage in der angegebenen Reihenfolge vorzugehen.

WARNUNG: Lesen Sie zuerst die Anleitung zu Ende durch, bevor Sie das Glasaquarium auf den Schrank stellen.

Die Oberkante des Unterschranks ist etwa 84 cm (100cm für das Peninsula) vom Boden entfernt. Die Tabelle zeigt das jeweilige ungefähre Gewicht der verschiedenen REEFER™ Glasaquarien.

Ungefähres Gewicht des Glasaquariums							
Modell	Nano	170 G2	200 G2	250 G2	300 G2	350 G2	
Gewicht	25kg/ 55lb	35kg/ 77lb	40kg/ 88lb	55kg/ 122lb	58kg/ 128lb	64kg/ 140lb	
Modell	425 G2	525 G2	625 G2	750 G2	900 G2	P500 G2	P650 G2
Gewicht	95kg/ 210lb	125kg/ 275lb	155kg/ 340lb	195kg/ 430lb	225kg/ 500lb	105kg/ 230lb	170kg/ 375lb

Modell	S 850 G2	S 1000 G2
Gewicht	226Kg/ 500lb	258Kg/ 570lb

Stellen Sie sicher, dass ausreichend Personen zum Anheben des Glasaquariums zur Verfügung stehen, die dem Gewicht und der Größe des Aquariums angemessen sind.

Stellen Sie sicher, dass die Personen, die das Aquarium anheben, körperlich für eine solche Tätigkeit geeignet und über Methoden des richtigen Hebens schwerer Gegenstände unterrichtet sind.

Prüfen Sie, nachdem Sie das Aquarium korrekt auf dem Unterschrank ausgerichtet haben, ob sich der Unterschrank dabei bewegt hat und korrigieren Sie gegebenenfalls noch einmal seine Position.

Für Systeme mit verstellbaren Beinen: Verwenden Sie eine Wasserwaage auf der Oberseite des Glasaquariums und verstellen Sie die Höhe der Beine, um das Aquarium zu nivellieren. Stellen Sie sicher, dass alle FüÙe den Boden berühren.

HINWEIS: Das REEFER™-Aquarium sollte nicht mehr bewegt werden, wenn es mit Wasser gefüllt ist.

Bevor Sie den Glasfiltersumpf im Schrank einbauen, stellen Sie sicher, dass die Schranktüren richtig ausgerichtet sind (siehe Anweisungen in der Schrankmontageanleitung). **Sobald der Filtersumpf einmal eingebaut ist, ist es nicht mehr möglich Anpassungen an den unteren Scharnieren vorzunehmen ohne den Filtersumpf wieder auszubauen.** Der automatische Türöffner kann durch leichtes Herausdrehen verstellt werden und so optimal eingestellt werden.

Verrohrung des Überlaufschachtes: Vergewissern Sie sich, dass die Dichtungsringe vor dem Verschrauben richtig auf dem Gewindeanschluss sitzen. Um eine korrekte Montage zu gewährleisten, halten Sie den Gewindeanschluss innerhalb des Schrankes und drehen Sie diesen dann mit der Hand fest. Verwenden Sie keine Werkzeuge. Vermeiden Sie das Abschrauben der Verrohrung vom Überlaufschacht, da dies durch eine mechanische Sperre verhindert werden sollte.

Filtersumpfhöhe: Stellen Sie den richtigen Sitz der Dichtungsringe sicher, bevor Sie die Universalverbindungen für die Rohre anbringen. Nach der Montage sicherstellen, dass die Rohre vertikal stehen und die Befestigungsmutter das Rohr in Position hält. Keine Werkzeuge verwenden, und nicht zu fest anziehen.

Abdeckung Überlaufschacht: Die Abdeckung vom Überlaufschacht reduziert Geräusche durch fließendes Wasser des Abschäumers. Sofern Sie die Rückwand des Schachtes zur Installation weiterer Geräte, wie z.B. einer Lampe nutzen möchten, brechen Sie den dafür vorgesehenen Teil, wie in der graphischen Anleitung beschrieben, heraus. Anschließend glätten Sie die Sollbruchstelle mit einer Feile oder Schleifpapier.

4 Übersicht zum Wassermanagementsystem des REEFER™

Oberflächenabzug / Überlaufschacht

Oberflächenwasser aus dem Aquarium fließt über den abnehmbaren Überlaufkamm in den Überlaufschacht, in dem die beiden Überlaufrohre und die verstellbare Auslassdüse untergebracht sind. Das Überlaufrohrsystem umfasst einen regulierbaren Hauptüberlauf und einen Notüberlauf. Ein Außenrohr mit einem durchsichtigen Oberteil auf dem Hauptüberlaufrohr sorgt für zusätzliche Wasserbewegung innerhalb des Überlaufschachtes.

Das fein einstellbare Durchflussventil sorgt dafür, dass der Wasserstand im Überlaufschacht immer die gleiche Höhe zwischen dem Haupt- und dem Notüberlauf hat. Bei richtiger Einstellung ist der Überlauf leise. Bei falscher Einstellung des Durchflussventils hört man deutlich, wie das Wasser in den Filtersumpf zurückläuft – dieses Geräusch zeigt an, dass die Einstellung des Durchflussventils geändert werden muss. Drehen Sie hierfür einfach an dem Ventil. Bitte beachten Sie, dass sich der endgültige Wasserstand immer erst verzögert einstellt.

Filtersumpf / Nachfüllautomatik

Wasser läuft über das durchflussregulierte Hauptüberlaufrohr und den Notüberlauf in die Auffangkammer des Filterbeckens. **Bei der Auswahl von Filtermedien jeglicher Art für die Auffangkammer sollte man berücksichtigen, dass aufgrund von turbulenten Strömungsbedingungen aus dem Fallrohr hinaus, eine konstante Abgabe von Feinfilterpartikeln bewirkt werden könnte.**

Anschließend fließt das Wasser durch den 400 Micron feinen Filterbeutel, ehe es in die Hauptreaktor- bzw. Abschäumerkammer mit konstantem Wasserstand gelangt. Wenn der Feinfilterbeutel nicht regelmäßig gereinigt wird, verstopft dieser, sodass das Wasser einfach hinüber abläuft, was jedoch keinerlei Einfluss auf den grundsätzlichen Wasserdurchlauf im Sumpf hat.

Eine Blasenfalle mit grobem Schaumstoff trennt die Reaktorkammer von der Pumpenkammer und verhindert, dass Blasen vom Abschäumer zurück in das Aquarium gelangen. Der Schaumstoff muß regelmäßig gereinigt werden, um nicht zu verstopfen.

Jeglicher Wasserverlust durch Verdunstung führt zu einem sinkenden Wasserstand innerhalb der Pumpenkammer im Filtersumpf, welches durch die automatische Nachfüllanlage kompensiert wird.

Ein konstanter Wasserstand (mit Hilfe der automatischen Nachfüllanlage) ist wichtig zur Aufrechterhaltung eines stabilen Wassermanagementsystems, wobei ein gleichbleibender Druck auf die Hauptförderpumpe gewährleistet wird. Der Vorratsbehälter enthält Wasser für ungefähr 3 Tage gegen Verdunstung und sollte fortwährend nachgefüllt werden.

Rückförderpumpe

Die empfohlenen Durchflussraten für die Rückförderpumpen sind in der nachstehenden Tabelle dargestellt.

Empfohlene Durchflussrate für Rückförderpumpen					
Modell	Nano	170 G2	200 G2	250 G2	300 G2
Durchfluss	2.000 l/Std	2.000 l/Std	2.000 l/Std	2.500 l/Std	3.000 l/Std

Modell	350 G2	450 G2	425 G2	525 G2	625 G2
Durchfluss	3.000 l/Std	4.000 l/Std	4.000 l/Std	5.000 l/Std	6.000 l/Std

Modell	750 G2	900 G2	P500 G2	P650 G2
Durchfluss	7.000 l/Std	10.000 l/Std	6.000 l/Std	7.000 l/Std

Modell	S 850 G2	S 1000 G2
Durchfluss	9.000 l/Std	10.000 l/Std

5 Betrieb

Erstbefüllung

Überprüfen Sie, ob alle Rohre ordnungsgemäß montiert und dass alle Schläuche in geeigneter Weise befestigt und gesichert sind. Installieren Sie sämtliche Geräte, die im Filtersumpf Platz einnehmen, vor dem Befüllen. Öffnen Sie das Haupt-Durchflussventil (durch Drehen gegen den Uhrzeigersinn) vollständig. Füllen Sie etwa 15 cm Wasser in den Überlaufschacht, um sicherzustellen, dass alle Rohre wasserdicht verschlossen sind. Achten Sie auf Lecks im Unterschrank. Füllen Sie Wasser in das Hauptbecken und sobald dieses gefüllt ist, kontrollieren Sie den Wasserstand im Filtersumpf, wenn dieser sich zu füllen beginnt. Schalten Sie, sobald der Wasserstand im Abteil für die Hauptpumpe etwa 15 cm erreicht hat, die Hauptpumpe an und hören Sie mit der Befüllung des Beckens auf. Schalten Sie den Abschäumer oder andere Filter ein, die den Wasserstand im Filtersumpf beeinflussen und fügen Sie, falls erforderlich, Wasser hinzu, um die 15 cm Wasserstandshöhe in der Hauptpumpenkammer zu erreichen.

WARNUNG: Das Überfüllen des Filtersumpfes kann bei Unterbrechung der Stromzufuhr zu einem Überlaufen führen.

Lassen Sie das System einige Minuten laufen und versuchen Sie das Durchflussventil (wie unten beschrieben) so einzustellen, dass der Wasserstand der Überlaufkammer die gewünschte Höhe erhält. Fügen Sie Wasser hinzu oder entnehmen Sie entsprechend Wasser und sobald Sie einen stabilen Wasserstand erreicht haben, justieren Sie das Durchflussventil der Nachfüllanlage.

Einstellen des Durchflussventils des Hauptfallrohrs

Um den Wasserstand im Überlaufschacht zu erhöhen, drehen Sie das Ventil im Uhrzeigersinn und den Wasserstand zu senken, drehen Sie das Ventil gegen den Uhrzeigersinn.

Das Durchflussventil des Hauptfallrohrs ermöglicht eine sehr feine Steuerung der Durchflussmenge, nach Veränderungen der Einstellung benötigt das System jedoch ein paar Minuten, um sich mit der neuen Einstellung zu stabilisieren.

Nehmen Sie nach der Grobeinstellung des Ventils die Feineinstellung mit jeweils kleinen Korrekturen vor, nach denen Sie jeweils einige Minuten warten. Zur Erreichung einer stabilen Durchflussmenge können Nachjustierungen erforderlich sein. Wenn dieses System richtig eingestellt ist, fließt das Wasser völlig geräuschlos in den Filtersumpf herab.

Verdunstungswasser-Nachfüllautomatik

Warten Sie bis das Salzwassersystem sich nach der Erstbefüllung stabilisiert hat, ehe Sie die Nachfüllautomatik benutzen. Stellen Sie sicher, dass das Durchflussventil der Nachfüllautomatik vollständig geschlossen ist. Füllen Sie den Frischwasservorratsbehälter mit Umkehrosmosewasser (UO-Wasser) auf. Trennen Sie das Durchflussventil der Nachfüllautomatik vom Schwimmerventil und öffnen Sie langsam das Durchflussventil, bis das Nachfüllwasser mit einer Geschwindigkeit von ca. 1 Tropfen pro Sekunde tropft. Verbinden Sie dann wieder das Durchflussventil mit dem Schwimmerventil. Stellen Sie den Winkel des Schwimmers so ein, dass das Ventil geschlossen ist, wenn der Wasserstand über dem Pumpeneinlass, aber unterhalb der Blasenfalle liegt.

ANMERKUNG: Es wird empfohlen, das Ventil am Auslass des Reservoirs zu verschließen, wenn Sie Wartungsarbeiten im Filtersumpf durchführen

Strom-Aus-Test

Nach Abschluss der Ersteinrichtung und nach der Installation neuer Komponenten innerhalb des Filtersumpfes, die das Nachjustieren des Hauptventiles erfordern, um das System zu stabilisieren, führen Sie den "Strom-Aus-Test" durch, um sicher zu stellen, dass kein Wasser über den Filtersumpf hinausläuft.

6 Wartung

Für einen kontinuierlichen und reibungslosen Betrieb des Wassermanagementsystems sollten folgende regelmäßige Überprüfungen durchgeführt werden:

- Wasserstand im Überlaufschaft - stellen Sie das Durchflussventil entsprechend ein
- Wasserstand im Reservoir – füllen Sie den Frischwasservorratsbehälter mit Umkehrosmosewasser (UO-Wasser) auf
- Wasserstand im Filtersumpf - prüfen Sie, ob das Schwimmerventil der Nachfüllautomatik einwandfrei funktioniert
- Micron Filterbeutel – überprüfen Sie, dass Wasser durch die Beutel fließt und reinigen bzw. wechseln Sie diese wenn nötig
- Überlaufkamm – entfernen Sie jegliche Ablagerungen, die den Wasserdurchfluss reduzieren würden
- Pumpenauslassdüse – auf Verkrustungen und Algen überprüfen

Micron Filterbeutel

Es wird empfohlen, mindestens 3 Sätze Filterbeutel vorrätig zu haben.

Hinweise zur Reinigung der Filterbeutel:

Spülen Sie die Außenseite der Beutel mit einem kräftigen Wasserstrahl ab.

Die Filterbeutel können ebenso in der Waschmaschine kalt gewaschen werden. Herstellerangaben beachten.

Garantie

Beschränkte Garantie für Red Sea Aquarienprodukte.

Vielen Dank für den Kauf eines Red Sea Aquarium Systems (im Folgenden „das Produkt“).

Red Sea Aquatics (UK) Ltd. (im Folgenden “ Red Sea „) garantiert das Produkt für 24 Monate ab Kaufdatum gegen Material- und Verarbeitungsfehler des Herstellers. Wenn Sie Ihr Produkt registrieren, gewährt Ihnen Red Sea zusätzliche 12 Monate Garantie nur auf das Glasaquarium (nicht jedoch auf andere Produktbestandteile). In Gerichtsbarkeiten, in denen die von der Registrierung abhängigen Garantiebedingungen gesetzlich verboten sind, ist eine Registrierung nicht erforderlich. Sie erhalten die zusätzliche Garantie von 12 Monaten auf das Glasaquarium, auch wenn Sie sich nicht registrieren.

Sie können Ihr Produkt unter www.redseafish.com registrieren.

Die von Red Sea gewährte Garantie ist NICHT ÜBERTRAGBAR UND AUF DEN URSPRÜNGLICHEN KÄUFER beschränkt. Wenn das Produkt unter diese Garantie fällt, repariert Red Sea das Produkt entweder kostenlos (ohne Versandkosten) mit neuen oder überholten Teilen oder ersetzt das Produkt nach eigenem Ermessen durch ein neues oder überholtes Produkt.

Diese Garantie GILT NICHT für normale Abnutzung oder Gegenstände, die eine begrenzte natürliche Lebensdauer haben oder Verbrauchsmaterialien sind, wie beispielsweise, aber nicht beschränkt auf Laufräder, Schwämme, Filtersocken und „O“-Ringe. Sie DECKT AUCH KEINE Schäden ab, die beim Transport auftreten und/oder Ausfälle oder Mängel, die auf eine Verwendung außerhalb des Normalbetriebs und/oder Naturkatastrophen, Unfälle, Überspannungen der Stromleitung, Vernachlässigung, unsachgemäße Installation, Bedienung oder Wartung, Serviceleistungen an dem Produkt durch eine andere Person als von einem autorisierten Red Sea-Servicezentrum oder Nichteinhaltung der Verwendung oder Montage des Produkts gemäß den Anweisungen (im Produkthandbuch oder anderweitig) oder den technischen und/oder

Sicherheitsstandards des Landes, in dem das Produkt verwendet wird, zurückzuführen sind. Darüber hinaus führt jede andere Modifikation des Produkts als die durch ein autorisiertes Red Sea-Servicezentrum zum Erlöschen dieser Garantie.

Zur Inanspruchnahme dieser Garantie wenden Sie sich bitte an Ihr lokales Servicezentrum. Einzelheiten zu den autorisierten Servicezentren finden Sie auf der Website von Red Sea. Bevor die Garantieleistung erbracht wird, ist ein Kaufnachweis erforderlich.

Das einzige und ausschließliche Rechtsmittel gegen Red Sea besteht in der Reparatur oder dem Austausch des Produkts wie oben beschrieben. Es stehen KEINE WEITEREN RECHTSMITTEL (einschließlich, aber nicht beschränkt auf, Neben- oder Folgeschäden für entgangenen Gewinn, entgangenen Umsatz oder andere Neben- oder Folgeschäden) zur Verfügung. Einige Gerichtsbarkeiten verbieten den Ausschluss von Neben- oder Folgeschäden, so dass die oben genannte Einschränkung möglicherweise nicht für Sie gilt. In dem nach geltendem Recht zulässigen Umfang haftet Red Sea unter keinen Umständen für Verluste oder Schäden an Wasserlebewesen und/oder Schäden an anderen Gegenständen und/oder Personen, die sich aus der Verwendung des Produkts oder aus einer Verletzung dieser Garantie ergeben. Alle stillschweigenden Gewährleistungen sind in dem nach geltendem Recht zulässigen Umfang ausgeschlossen und, soweit sie nicht ausgeschlossen werden können, auf die oben genannte geltende Garantiezeit beschränkt. Einige Gerichtsbarkeiten erlauben keine Einschränkungen der Dauer einer stillschweigenden Garantie oder Bedingung, so dass diese Einschränkung möglicherweise nicht für Sie gilt. Die in dieser Garantie enthaltenen vertraglichen Gewährleistungen sind ausschließlich und dürfen von keinem Vertriebspartner, Händler oder einer anderen Person modifiziert, erweitert oder geändert werden.

Enregistrez

votre aquarium en ligne pour
étendre votre garantie

Enregistrez votre nouvel aquarium en ligne et bénéficiez d'1 an supplémentaire de garantie gratuite sur la cuve, en plus de la garantie standard de 2 ans sur le système.*:

www.redseafish.com/fr/register



Red Sea REEFER™ G2 SERIES

systemes récifaux pour aquariophiles expérimentés

Mise en route

Mise en route du REEFER™

Sécurité.....	28
Positionnement.....	29
Assemblage.....	30
Vue d'ensemble du système de traitement d'eau des REEFER™	32
Mise en route	33
Maintenance.....	34
Garantie.....	35

Félicitations pour l'achat de votre aquarium Red Sea REEFER™.

Les systèmes Red Sea REEFER™ fournissent aux aquariophiles expérimentés une base solide pour se composer un aquarium marin ou récifal. Les systèmes REEFER™ sont la combinaison d'aquariums en verre extra blanc au design très contemporain, de systèmes de traitement d'eau professionnels incluant une décantation à compensation d'évaporation et du système de descente d'eau silencieuse unique de Red Sea. Intégrant des technologies initialement développées pour les systèmes récifaux tout-en-un MAX® de Red Sea, la série des REEFER™ a été conçue pour être facile à utiliser tout en permettant aux passionnés un choix illimité d'éclairages, filtrations, brassages et autres contrôleurs afin de créer un système unique et personnalisé.

Ce mode d'emploi complète le manuel graphique d'assemblage. Les instructions d'installation et de fonctionnement sont valables pour tous les modèles de REEFER™.

Nous espérons que vous profiterez bien de votre REEFER™ et de votre récif.

Pour profiter des informations sur les mises à jour des produits et d'offres spéciales exclusives, enregistrez votre REEFER™ sur redseafish.com

1 Sécurité

Merci de lire et de respecter toutes les instructions de sécurité.

DANGER: pour éviter tout risque d'électrocution, un soin particulier doit être apporté à la manipulation d'un aquarium en eau. Pour chacune des situations suivantes, ne tentez pas de réparer vous-même, retournez la partie défectueuse du produit au service après-vente.

ATTENTION : pour prévenir toute blessure, des précautions basiques de sécurité doivent être suivies: N'intervenez pas sur le produit si un câble électrique ou une prise est endommagé, s'il ne fonctionne pas correctement ou s'il est tombé ou endommagé de quelque manière que ce soit.

Pour éviter que de l'eau entre en contact avec les prises électriques, placez l'aquarium à côté de la prise murale.

Vous devriez créer une boucle "anti goutte" pour chaque fil électrique reliant l'aquarium aux prises murales. La boucle "anti goutte" est cette partie du câble électrique qui est sous la prise murale. Utilisez une rallonge électrique si nécessaire pour éviter que l'eau ne s'écoule le long du câble jusqu'à la prise murale. Si de l'eau entre en contact avec la prise murale ou la prise du câble, NE DEBRANCHEZ PAS le câble. Déconnectez le fusible du disjoncteur qui contrôle l'alimentation électrique du produit puis débranchez le produit pour examiner la présence d'eau dans la prise murale ou sur la prise du câble.

Une surveillance rapprochée est nécessaire en présence d'enfants.

Pour éviter toute blessure, ne touchez pas les pièces en mouvement.

Débranchez toujours le produit quand il n'est pas utilisé, quand vous enlevez certains de ses éléments ou avant son nettoyage. Ne tirez jamais

directement le cordon pour débrancher le produit. Tirez ou poussez toujours en tenant uniquement la prise.

N'utilisez pas le produit pour un autre usage que celui auquel il est destiné. L'utilisation de produits optionnels non recommandés par le fabricant peut être dangereuse.

N'installez pas ou ne stockez pas le produit dans un endroit où le climat et les températures peuvent descendre sous 0°C.

Soyez sûr que tout dispositif installé sur l'aquarium est fixé en respectant les règles de sécurité avant de le faire fonctionner.

Lire et respecter toutes les informations importantes concernant le produit.

NOTE: un câble supportant moins d'ampères ou de watts que ce dont a besoin le produit peut surchauffer. Un soin particulier devra être appliqué au positionnement du câble afin d'éviter toute torsion ou tirage accidentels.

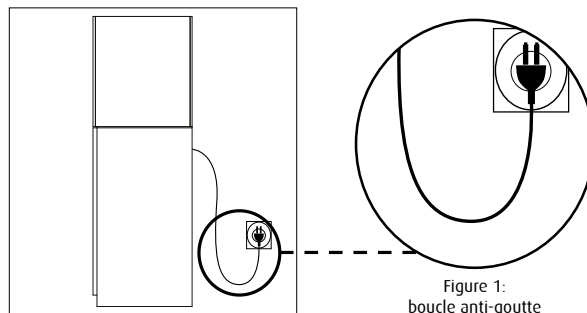


Figure 1:
boucle anti-goutte

2 POSITIONNEMENT

La première étape dans l'installation de votre REEFER™ est de choisir un emplacement convenable.

Poids

Le sol sous le REEFER™ doit être capable de supporter les poids suivants:

Poids approximatifs des systèmes complets							
Modèle	Nano	170 G2	200 G2	250 G2	300 G2	350 G2	
Poids	180kg	275Kg	315kg	380Kg	470kg	530kg	

Modèle	425 G2	525 G2	625 G2	750 G2	900 G2	P500 G2	P650 G2
Poids	690kg	850kg	930kg	1110kg	1300kg	760kg	940kg

Modèle	S 850 G2	S 1000 G2
Poids	1210kg	1465Kg

Température de la pièce

La sélection de l'emplacement est importante pour la maintenance d'une température adéquate. Nous vous recommandons de fixer la température à 22°C. Evitez de placer l'aquarium face à une sortie d'air conditionné, de chauffages ou du soleil direct. Une pièce bien ventilée et modérément éclairée est le meilleur choix.

Accessibilité

Soyez sûr qu'il y ait au moins 10 cm derrière le REEFER™ pour faciliter l'installation des câbles et permettre une circulation d'air suffisante pour le groupe froid optionnel (emplacement prévu seulement sur les gros modèles). Il est recommandé de laisser approximativement 60 cm de chaque côté de l'aquarium pour accéder à l'arrière de l'aquarium.

Plus généralement

Assurez-vous que la zone entourant votre REEFER™ ne craint pas l'eau et n'oubliez pas de déplacer tout ce que l'eau de mer pourrait endommager (gonflement du bois, corrosion...).

NOTE: votre REEFER™ ne doit plus être déplacé une fois en eau.

3 ASSEMBLAGE

Les informations suivantes complètent le manuel graphique.

ATTENTION : si vous n'êtes pas habitué au montage de meubles à assembler ou à l'installation d'aquarium, faites appel à une personne qualifiée.

ATTENTION : Le panneau supérieur du meuble (partie C) et certaines autres parties du meuble (sur certains modèles) sont placés sous l'aquarium. Pour récupérer ces parties, retirez l'aquarium de son emballage. Veillez à éviter tout contact entre les passes parois au fond de l'aquarium et le sol, en posant l'aquarium sur les morceaux de polystyrène utilisés dans l'emballage.

Les REEFER™ contiennent les composants suivants :

- Aquarium en verre
- Meuble (à monter)
- Décantation en verre comprenant une éponge piège bulles, micron bags de 225 micron/godets de filtration (selon le modèle) et système de compensation de l'évaporation
- Tuyauterie interne et buse de retour
- Réserve d'eau osmosée (non comprise avec les REEFER 900 G2 & REEFER-S 850 G2 /1000 G2)
- Extension de décantation en verre (REEFER 900 G2 et REEFER-S 850 G2 /1000 G2 uniquement)

Les instructions détaillées pour l'assemblage complet des REEFER™ se trouvent dans le manuel graphique.

Terminez le montage du meuble et de ses portes comme indiqué dans le manuel graphique et placez-le à son emplacement définitif (voir positionnement ci-dessus).

NOTE: il est important d'assembler votre REEFER™ en suivant l'ordre indiqué.

ATTENTION : à lire avant de poser l'aquarium sur son meuble.

Le haut du meuble est à environ 86 cm (100cm pour Peninsula).

Le tableau montre les poids approximatifs des différents modèles de cuves en verre des REEFER™.

Poids approximatifs des aquariums en verre							
Modèle	Nano	170 G2	200 G2	250 G2	300 G2	350 G2	
Poids	25kg	35Kg	40kg	55Kg	58kg	64kg	

Modèle	425 G2	525 G2	625 G2	750 G2	900 G2	P500 G2	P650 G2
Poids	95kg	125kg	155kg	195kg	225kg	105kg	170kg

Modèle	S 850 G2	S 1000 G2
Poids	226Kg	258Kg

Assurez-vous d'être accompagné de suffisamment de personnes pour soulever et manipuler votre REEFER™ en toute sécurité.

Assurez-vous que chacune des personnes est physiquement capable d'effectuer cette opération et qu'elle a été formée aux bonnes méthodes de levage d'objets lourds.

Une fois que l'aquarium est correctement aligné au meuble, vérifiez que le meuble n'a pas bougé. Si nécessaire, réajustez la position du meuble.

Pour les modèles avec pieds ajustables: à l'aide d'un niveau à bulle posé sur la surface supérieure de la vitre de l'aquarium, ajustez la hauteur des pieds pour mettre à niveau l'aquarium.

Assurez-vous que l'ensemble des pieds touchent le sol.
Avant de placer la décantation dans le meuble, assurez-vous que les

NOTE: les aquariums REEFER™ ne doivent pas être déplacés lorsqu'ils sont pleins d'eau.

portes sont correctement alignées (voir les instructions dans le manuel d'assemblage du meuble). **Une fois la décantation installée, il ne sera plus possible d'ajuster les charnières basses sans l'enlever.**

Avec les portes correctement alignées, tourner la partie avant du dispositif d'ouverture jusqu'à la bonne extension afin que les portes s'ouvrent lorsqu'elles sont poussées.

Tubes de surverse: assurez-vous que les joints sont en position sur les connecteurs avant l'assemblage. Pour permettre un bon assemblage, tenez fermement les connecteurs depuis l'intérieur du meuble et serrez bien à la main. N'utilisez pas d'outils. Evitez de desserrer les tubes du côté de la surverse une fois assemblés car le mécanisme de blocage de contre-rotation sera moins efficace.

Tubes de décantation: assurez-vous que les joints sont en position sur les connecteurs avant l'assemblage. Après l'assemblage assurez-vous que les tubes sont verticaux et que l'écrou de sécurité tient bien le tube en place. N'utilisez pas d'outils et ne serrez pas trop.

Capot de surverse : ce capot réduit le bruit de la surverse d'eau. Si vous voulez utiliser la cloison arrière de la surverse pour monter un éclairage ou autre, cassez la partie du capot comme indiqué dans le manuel graphique. Après avoir enlevé cette partie amovible, ébavurez les bords avec du papier de verre.

4 VUE D'ENSEMBLE DU SYSTEME DE TRAITEMENT D'EAU DES REEFER™

Peignes et surverse

L'eau de surface passe de l'aquarium à la descente d'eau en passant par les peignes de la surverse. Dans le compartiment de descente d'eau il y a les deux tubes de descente dont un silencieux et la buse de retour d'eau dans l'aquarium. Le système de descente silencieux est équipé d'un tube à descente régulée et d'un second tube de sécurité. Une extension transparente est placée sur le tube de descente régulée pour assurer un bon mouvement d'eau sur toute la hauteur du compartiment de descente d'eau.

La vanne d'ajustement précis du tube de descente régulée permet de maintenir le bon niveau d'eau dans le compartiment de descente afin de garantir une bonne aspiration de l'eau de surface tout en éliminant le bruit de descente d'eau vers la décantation. Un mauvais réglage de cette vanne générera automatiquement un bruit de descente d'eau. Dans ce cas le réglage devra donc être refait.

Décantation et CAE (Compensation Automatique d'Évaporation)

L'eau arrive du tube de descente régulée dans un compartiment de réception d'eau compact. **Un soin particulier doit être apporté au choix des masses filtrantes à cet endroit car les turbulences du flux d'eau peuvent abimer certaines d'entre elles.**

L'eau passe ensuite par le filtre 400 microns avant d'entrer dans le compartiment à volume constant qui abritera l'écumeur. Si les filtres microns ne sont pas nettoyés régulièrement et qu'ils se colmatent, l'eau débordera simplement sans affecter le fonctionnement de la décantation.

Une chicane avec de la mousse alvéolaire piégeant les bulles sépare le compartiment à volume constant du compartiment de la pompe de remontée.

L'évaporation provoque une baisse du niveau d'eau qui sera compensée par le système CAE.

Maintenir une hauteur d'eau constante dans le compartiment de la pompe de remontée (grâce au CAE) est essentiel à la stabilité de tout le système de traitement d'eau. Le réservoir d'eau osmosée contient assez d'eau pour environ 3 jours et doit être rempli dès que nécessaire.

Pompe de remontée

Les puissances recommandées des pompes de remontée sont indiquées dans le tableau suivant. L'utilisation de pompes plus puissantes engendrerait une hauteur d'eau supérieur dans l'aquarium à moins de modifier en conséquence les peignes de surface.

Puissances recommandées des pompes de remontée					
Modèle	Nano	170 G2	200 G2	250 G2	300 G2
Débit	2000lph	2000lph	2000lph	2500lph	3000lph

Modèle	350 G2	425 G2	525 G2	625 G2
Débit	3000lph	4000lph	5000lph	6000lph

Modèle	750 G2	900 G2	P500 G2	P650 G2
Débit	7000lph	10000lph	6000lph	7000lph

Modèle	S 850 G2	S 1000 G2
Débit	9000lph	10000lph

5 MISE EN ROUTE

Premier remplissage

Vérifier que tous les tubes sont correctement connectés et serrés et que la fixation des tuyaux souples est sécurisée.

Installer tous les équipements qui pourraient occuper du volume dans la décantation avant de commencer à remplir.

Ouvrir la vanne de descente au maximum (rotation anti-horaire).

Ajouter approximativement 15 cm d'eau dans le compartiment de descente pour vérifier que tous les joints sont bien serrés. Vérifier la présence de fuites éventuelles dans le meuble.

Ajouter l'eau à l'aquarium principal et une fois qu'il est plein, surveillez le niveau d'eau dans la décantation qui doit être en train de se remplir. Quand il y a approximativement 15 cm d'eau dans le compartiment de la pompe de remontée il faut la brancher et arrêter d'ajouter l'eau.

ATTENTION: mettre trop d'eau ou d'équipements dans la décantation peut provoquer un débordement en cas de coupure d'électricité.

Brancher l'écumeur et/ou les autres filtres affectant le niveau d'eau dans la décantation et ajouter l'eau pour atteindre les 15 cm dans le compartiment de la pompe de remontée.

Laisser le système tourner pendant quelques minutes et ajuster la vanne de descente (voir ci-dessous) afin que le niveau d'eau soit correct dans le compartiment de descente d'eau.

Ajouter ou retirer de l'eau et ajuster la vanne jusqu'à ce que les niveaux du système se stabilisent.

Réglage de la vanne de descente

Pour faire monter le niveau d'eau dans le compartiment de surverse, tournez la vanne dans le sens des aiguilles d'une montre et pour baisser le niveau d'eau, tournez la vanne dans le sens inverse des aiguilles d'une montre.

La vanne de descente permet un réglage extrêmement précis du flux d'eau cependant le système a besoin de quelques minutes pour se stabiliser après chaque réglage.

Quand vous avez atteint le premier réglage approximatif, poursuivre par de petits changements plus précis et attendre quelques minutes à chaque fois. Cela peut nécessiter quelques interventions occasionnelles pour arriver au niveau idéal mais lorsqu'il est atteint vous n'aurez plus aucun bruit de descente d'eau vers la décantation.

CAE

Pour le réglage initial, attendre que le système soit stable avant d'utiliser la CAE.

S'assurer que la vanne de compensation est complètement fermée.

Remplir le réservoir avec de l'eau osmosée. Déconnecter la vanne de compensation du flotteur et l'ouvrir doucement jusqu'à ce que l'eau osmosée s'écoule à environ 1 goutte par seconde.

Reconnecter la vanne de compensation au flotteur.

Ajuster l'angle du flotteur pour que la vanne soit fermée quand le niveau d'eau est au-dessus de l'entrée de la pompe de remontée mais dessous le haut du piège à bulles.

NOTE: il est recommandé de fermer la vanne de sortie du réservoir à chaque fois qu'une maintenance de la décantation doit être faite

Test de la coupure générale

Après ces premiers réglages et l'installation des différents équipements, couper l'alimentation électrique générale de votre REEFER™. Cela permet de voir si l'eau ne déborde pas du système en cas de coupure générale d'électricité.

6 MAINTENANCE

Pour conserver un bon fonctionnement du système de traitement d'eau, vérifier régulièrement les points suivants:

- niveau d'eau dans le compartiment de descente – ajuster la vanne de descente si besoin
- niveau d'eau dans le réservoir – ajouter de l'eau osmosée si besoin
- niveau d'eau dans la décantation – vérifier que la vanne de CAE fonctionne correctement
- filtres micron – vérifier que l'eau passe bien à travers les sacs et les remplacer si besoin
- buse de retour – vérifier qu'elle n'est pas bloquée et nettoyer les algues

Filtres micron

Il est recommandé d'avoir au moins 3 sets de filtres micron.

Il y a plusieurs options pour les nettoyer:

Rapide et efficace: arroser l'extérieur des filtres avec un jet d'eau puissant pour décoller les matières de la face interne des filtres Polyester.

plus rigoureux: laisser tremper les sacs dans de la javel ou du vinaigre dilué pendant 24 heures avant de procéder comme ci-dessus. Bien rincer pour enlever tout produit chimique avant de réinstaller dans la décantation.

Les filtres microns peuvent aussi être mis dans la machine à laver avec la lessive habituelle ou du vinaigre. mais cela dépendra sûrement de l'accord d'une tierce personne.

Garantie

Limite de garantie des aquariums Red Sea.

Nous vous remercions d'avoir acheté un système récifal Red Sea (ci-après "le Produit").

Red Sea Aquatics (UK) Ltd. (ci-après "Red Sea") garantit le Produit contre les défauts de fabrication pendant 24 mois à partir de la date d'achat. Si vous enregistrez le Produit, Red Sea vous fournira une garantie supplémentaire de 12 mois uniquement sur la cuve en verre mais pas sur les autres composants du Produit.

Dans les juridictions où les termes de garantie conditionnés par l'enregistrement sont interdits par la loi, l'enregistrement n'est pas requis et vous et vous recevrez la garantie supplémentaire de 12 mois sur la cuve en verre même si vous n'enregistrez pas le produit.

Vous pouvez enregistrer votre produit sur www.redseafish.com

La garantie fournie par Red Sea n'est PAS TRANSFÉRABLE ET EST LIMITÉE À L'ACHETEUR ORIGINAL. Si le Produit est éligible sous cette garantie, Red Sea réparera le Produit gratuitement (sans inclure les frais d'expédition) avec des pièces neuves ou remises à neuf ou remplacera le Produit avec un produit neuf ou remis à neuf à la seule discrétion de Red Sea.

Cette garantie NE COUVRE PAS l'usure normale ou les articles qui ont une durée de vie naturelle limitée ou qui sont consommables, tels que, mais non limité aux turbines, mousses alvéolaires, masses filtrantes et joints toriques. Elle NE COUVRE PAS non plus les dommages survenus lors de l'expédition et/ou les défaillances ou les défauts résultant d'une utilisation anormale, de catastrophes naturelles, d'accidents, de surtensions, de négligence, d'une installation et/ou utilisation inadéquate de l'appareil, réparation ou intervention technique sur le Produit effectuée par quelqu'un d'autre qu'un centre de service autorisé

de Red Sea, catastrophes naturelles, accidents, surtensions, négligence, installation, utilisation ou entretien inadéquats, ou le manque d'utilisation ou d'assemblage du Produit conformément aux instructions fournies (dans le manuel du Produit ou autre) ou aux standards techniques et/ou de sécurité du pays dans lequel le Produit est utilisé. De plus, toute modification du Produit autre que par un centre de service autorisé de Red Sea invalidera cette garantie.

Afin d'appliquer cette garantie, veuillez contacter votre centre de service local. Pour votre commodité, les détails des centres de service autorisés peuvent être trouvés sur le site web de Red Sea. La preuve d'achat sera exigée avant que la validité de la garantie soit confirmée.

Le seul et unique recours contre Red Sea sera la réparation ou le remplacement du produit comme prévu ci-dessus. AUCUN AUTRE RECOURS (y compris mais non limité à, des dommages accidentels ou conséquents pour perte de profits, perte de ventes, ou toute autre perte accidentelle ou consécutive) ne sera disponible. Certaines juridictions n'autorisent pas l'exclusion des dommages accessoires ou l'exclusion des dommages accessoires ou indirects, la limitation ci-dessus peut donc ne pas s'appliquer pour vous. Dans la mesure permise par la loi applicable, en aucun cas Red Sea ne sera responsable de toute perte ou des dommages à la vie aquatique, et/ou des dommages à d'autres biens et/ou individus résultant de l'utilisation du Produit ou résultant d'une violation de cette garantie. Toutes les garanties implicites sont exclues dans toute la mesure permise par la loi applicable, et dans la mesure où elles ne peuvent pas être exclues, elles sont limitées à la période de

garantie applicable indiquée ci-dessus. Certaines juridictions ne permettent pas de limiter la durée d'une garantie ou d'une condition implicite. Les garanties expresses énoncées dans la présente garantie sont exclusives et ne peuvent pas être modifiées, élargies ou changées par tout distributeur, revendeur, ou toute autre personne, quelle qu'elle soit.

在线注册

延长您的水族箱保修期

在官网注册您新购买的水族箱,除可以享受常规2年保修外,还额外对水族箱的玻璃缸部分免费延长1年的保修期*



Red Sea REEFER™ G2 SERIES

为专业级爱好者设计的高延展性珊瑚礁岩系统

安装操作手册

REEFER™ 安装操作手册

安全须知	40
位置	41
组装	42
REEFER™ 水控制系统综述	44
操作	45
维护	46
保修	47

前言

感谢您购买红海REEFER™系列礁岩系统。

红海REEFER™系列珊瑚礁岩系统，为专业级玩家打造一个全方位珊瑚礁岩或海水水族箱，提供了坚实基础。REEFER™系列水族箱将一套拥有现代风格、无边框、超白玻璃的主缸与时尚的底柜及全方位的水控制系统相结合，包含了专业级的底缸设计，并配备有集成式自动补水系统，以及红海独一无二的静音下水体系。REEFER™系列的设计结合了红海起初为一体化MAX®系列珊瑚礁岩系统开发的相关技术，专业级玩家易于操作并能自行选择光照、过滤、水流及控制器的平台，使玩家可以创造一套独一无二的定制系统。此说明书对图表说明书进行了补充，且包含了所有REEFER™系列水族箱的安装和操作说明。

希望你能尽情享受您的REEFER™带给你的快乐！

获取更多产品最新信息和专享特别优惠，请注册成为我们的REEFER™系列产品的主人，注册网址为 redseafish.com。

1 安全须知

请阅读并遵守以下安全须知

危险: 对已经放入水的水族箱实施操作时，需特别注意，避免触电。
当出现以下情况时请勿自己尝试修理设备；将故障设备返回授权服务处或者丢弃故障设备。

安全提示: 为避免违规操作带来的伤害，请遵守以下基本安全操作规范：请勿运行任何插头或电源线受损而不正常工作的设备。

为避免设备的插头或插座弄湿，请将水族箱一面靠墙，防止水滴到插头或者插座上。你可以采用“滴水环”（见图1）的方式将水族箱设备电源线连接到插座上。“滴水环”就是电源线的一部分低于插座的水平，防止水沿着电源线流到插头或流入插座。如果不知道插头或者插座是否弄湿，请不要拔出电源线。断开保险丝或电路后，再拔出插头从而检查插座内是否有水。

当孩子使用或有孩子可能接触设备时需要密切监视。

为避免不必要的伤害，请勿接触正在工作的设备。

在取出设备或放入设备时，请先拔掉插头。设备停用时也请拔出电源插头。切勿拽拉电源线以拔出插头。正确的操作方式是握住插头并拔出。切勿使用任何超过使用期限的设备。

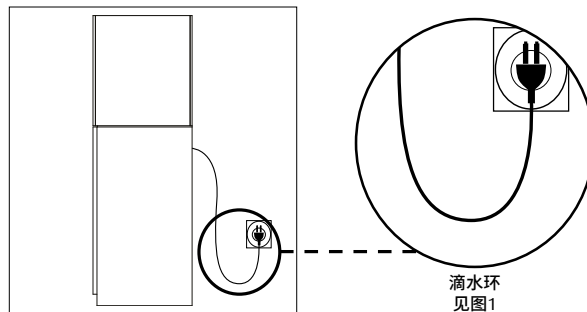
使用非制造商推荐的设备或配件会增加不安全因素。

切勿在露天环境或者温度低于0°C的环境下使用设备。

在使用前，请确保设备的安装和放置已经牢固。

阅读并遵守所有安全注意事项。

注意: 电源线额定电流和功率超过额定值会导致发热而加快电源线老化和损坏。请放置好电源线，防止被电源线绊倒或牵拉电源线导致事故。



2 位置

安装REEFER™ 的第一步就是选择一个合适的位置。

重量

系统下方的地板必须能够支撑以下重量:

系统 (包括水) 的大约总重量							
型号	Nano	170 G2	200 G2	250 G2	300 G2	350 G2	
重量	180kg/ 400lb	275Kg/ 607lb	315kg/ 695lb	380Kg/ 840lb	470kg/ 1035lb	530kg/ 1170lb	

型号	425 G2	525 G2	625 G2	750 G2	900 G2	P500 G2	P650 G2
重量	690kg/ 1520lb	850kg/ 1875lb	930kg/ 2060lb	1110kg/ 2460lb	1300kg/ 2870lb	760kg/ 1680lb	940kg/ 2080lb

型号	S 850 G2	S 1000 G2
重量	1210Kg/ 2675lb	1465Kg/ 3240lb

室温

位置的选择对于保持准确恒定的温度尤为重要。我们建议您保持室内温度舒适和稳定在22°C / 72°F。切勿把水族箱放置在空调前，热通风孔或阳光直射处。通风良好的室内环境加上适度的光照是放置水族箱的最佳位置。

可操作性

确保Reefer后面至少有10cm / 4”的空隙，从而能够方便进入对集水箱的电缆进行安装/拆除，同时又保持冷气装置有充足的空气循环（仅限大型号）。建议在水族箱的一侧与任何相邻墙壁或家具之间留有约60cm/24”的空隙以方便进入水箱的后面。

总则

确保水族箱周边区域防水和避免海水可能导致的损坏和腐蚀的可能。

注意: 切勿在REEFER™系统装满水后进行移动

3 组装

以下信息将对图形手册进行补充。

提示: 如果你没有自行组装家具的经验，请向有经验人士寻求相应的帮助

注意: 底柜（特定的型号）的顶板（Part C）以及其它一些部件放置在玻璃缸的底部。要取出这些部件，先把玻璃缸从包装中拿出来，再把玻璃缸放到原有包装的泡沫上，确保避免让玻璃缸底部的接头和地板之间的接触导致损坏。

REEFER™ 包含以下主要组件：

- 主缸
- 底柜（自行组装）
- 底缸包含除泡棉、225微米滤袋/滤杯（根据型号而定）以及用于自动补水的浮阀
- 带出水口喷嘴的内管件套件
- 补水缸（900 G2和Reefer-S 850 G2 /1000 G2不具有）
- 扩展滤缸（仅900 G2和REEFER-S 850 G2 /1000 G2型号具有）

完整的 REEFER™ 详细安装操作流程可以在附带的手册上找到。

完成底柜的组装（包括图形组装手册中显示的门）并放置于最终操作位置（见上述位置）。

注意: 按照顺序组装REEFER™非常重要。

警告: 将主缸抬至底柜上之前请仔细阅读。

底柜的顶端离地面约 86cm/34"（隔断式水族箱底柜的顶端离地面约 100cm/40"）。

该表格显示不同型号的REEFER™主缸的大约重量。

主缸的大约重量							
型号	Nano	170 G2	200 G2	250 G2	300 G2	350 G2	
重量	25kg/ 55lb	35Kg/ 77lb	40kg/ 88lb	55Kg/ 122lb	58kg/ 128lb	64kg/ 140lb	

型号	425 G2	525 G2	625 G2	750 G2	900 G2	P500 G2	P650 G2
重量	95kg/ 210lb	125kg/ 275lb	155kg/ 340lb	195kg/ 430lb	225kg/ 500lb	105kg/ 230lb	170kg/ 375lb

型号	S 850 G2	S 1000 G2
重量	226Kg/ 500lb	258Kg/ 570lb

确保您能够根据重量和大小配备恰当数量的人员抬起水族箱。

确保任何抬起水族箱的人在身体上都适合完成该操作，并且获得指导以恰当的方式抬起重物。

一旦水族箱与底柜恰当对齐，请检查底柜是否被移动。必要时，重新调整底柜的位置。

注意: 不得在 REEFER™ 水族箱系统装满水时进行移动

可调节的底柜脚垫：把水平仪放于鱼缸上表面，调节底柜脚垫的高度，使水族箱保持水平，确保所有脚垫接触到地面。

在将玻璃底缸置于底柜内之前，确保底柜门恰当对齐（查看底柜组装手册中的说明）。**底缸一旦安装就位，就无法调节底部的门铰链，除非挪动底缸。**在门已恰当对齐的情况下，调节底柜门板缓冲器的前部至适当位置，使门板可以在推按后弹开。

溢流盒管件：在组装之前，请确保O形环在螺纹接头的正确位置上。为使安装正确，应从底柜内部牢牢地握住螺纹接头，并用手拧紧。切勿使用工具。请避免从溢流盒内拧开管件，因为这样会降低防止反转的固定机制的效果。

底缸管件：在组装之前，请确保O形环在接头的正确位置上。组装完成后检查管道是否垂直，并且拧紧管件将其固定就位。切勿使用工具及过度拧紧。

溢流盒盖：溢流盒盖会减少水从水面油膜过滤器落下的声音。若您希望在溢流盒的后壁安装诸如灯具等的设备，请按图形手册所示拆卸部分盖子。取出可拆除部分后，使用锉刀或砂纸将其余的边缘磨光滑。

4 REEFER™ 水控制系统综述

水面油膜过滤器/溢流盒

水族箱中的表层水会通过拥有可拆除栅格的水面除油器流入溢流盒。溢流盒中拥有双下水口的静音下水管系统以及底缸回水泵的出水喷嘴。静音下水管系统包括一根控制流量的主下水管和一根二级溢流旁通管。在主下水管的上方加装了一个高度略高透明外包管，以此确保在溢流盒的整个水体高度内拥有有益的水流。

在主下水管上的流量微调阀能使溢流盒中的水位在主下水管和旁通管的进水口之间保持一个稳定的高度，这样在消除下水噪音的同时，可以确保高效去除水面油膜。当流量阀没有正确调节时，会出现下水噪音，这时需要重新调节流量阀。

底缸 /ATO

从流量可控的主下水管和二次溢流旁通管留下的水会进入底缸中的一个小巧的接收舱。在选择置于接收室中的过滤媒介时应小心谨慎，因为来自下水管的乱流状况可能会导致不断地排出细小的媒介颗粒。

然后，水流在进入高主反应舱或蛋分舱之前会经过400微米的过滤袋。若不经常清洁过滤袋而导致其堵塞，水会绕开过滤袋，不会影响底缸的总体运行。

反应舱和回水泵舱之间有一块装有粗泡沫材料的除沫格，以此防止来自蛋分的小气泡回流入主缸。

由蒸发造成的任何水损失都会导致底缸上水泵舱内的水位下降，这将由ATO系统进行补偿。

通过保持回水泵舱内稳定的水位（使用ATO），确保主泵进水处有持续的水压，对整个水控制系统来说至关重要。补水舱包含用于约3天蒸发的水量，应始终保持注水。

回水泵

回水泵的建议流速如下表所示。使用更高流速的泵会导致水族箱中的水位更高，除非对水面油膜过滤器的栅格进行了恰当修改。

回水泵的建议流速					
型号	Nano	170 G2	200 G2	250 G2	300 G2
流量	2000lph /530gph	2000lph /530gph	2000lph /530gph	2500lph /660gph	3000lph /790gph

型号	350 G2	425 G2	525 G2	625 G2
流量	3000lph /790gph	4000lph /1060gph	5000lph /1060gph	6000lph /1600gph

型号	750 G2	900 G2	P500 G2	P650 G2
流量	7000lph /1850gph	10000lph /2640gph	6000lph /1600gph	7000lph /1850gph

型号	S 850 G2	S 1000 G2
流量	9000lph/ 2385gph	10000lph/ 2650gph

5 操作

初始蓄水

检查是否所有的管道都恰当地组装以及是否所有软管都安全就位。

开始往水族箱加水之前安装任何会占用过滤缸中水量的设备。

最大限度打开主流量阀（逆时针方向旋转）。

添加约15cm/6"的水至溢流盒以确保所有管件接头都不漏水。检查底柜内是否有漏水。

向主水箱内添加水，一旦添满，在开始填充水时监控过滤缸中的水位。

一旦主泵舱内水量达到约15cm/6"，开启水泵并停止加水。

警告: 过滤缸过度充水会在电力中断时出现水溢出的情况。

开启除油器或其它会影响过滤缸水位的过滤器，按要求添加更多水以维护主泵舱内的15cm/6"的水量。

让系统运行几分钟，调整流量阀（如下所述）使溢流箱中的水位位于恰当的水平。

从系统中添加/排水并调整流量阀，直至系统中的水位稳定。

主落水管阀门调整

要升高溢流盒内的水位，请顺时针旋转阀门。要降低溢流盒内的水位，则逆时针旋转阀门。

主落水管流量阀能够非常精确地控制流量，但是，在调整之后，系统需要几分钟的时间才能在新设置中稳定下来。

一旦为阀确定了大致设置，那么，每次只能进行很小的调整并需要等待几分钟时间。可能会需要多次临时调整才能达到稳定的水平。当设置恰当，该系统能够消除所有水向下流到过滤缸的噪音。

ATO

在初始设置时，等待盐水系统稳定后再使用ATO。

确保注水流量阀完全关闭。

使用反渗透水填充蓄水池。从浮阀断开注水流量阀的连接，慢慢开启流量阀，直至注入的水以大约每秒1滴的速度下滴。断开流量阀至浮阀的连接。

调整浮阀的角度，从而使阀门在水位高于过滤缸进水口但低于除泡器顶端水平时会关闭。

断电测试

完成初始设置及向过滤缸添加了任何新设备后，对主阀进行必要的调整使系统稳定，并且进行一次“断电”测试以检查水是否会高出过滤缸的边缘。

注意: 在进行过滤缸维护时，建议关闭蓄水池进水口上的阀门。

6 维护

为了持续顺畅地操作水管理系统，应定期做以下检查：

- 溢流箱中的水位 - 按要求调整流量阀
- 蓄水池中的水位 - 按要求添加反渗透水
- 集水箱过滤缸中的水位，检查注水浮阀是否恰当运行
- 微米过滤袋 - 检查水是否通过袋子流动，必要时清理/替换
- 表面除油膜器格栅 - 除去任何会减少水流量的沉积物
- 泵出口喷嘴 - 检查是否有堵塞及藻类积累

微米过滤袋

建议保留至少3套过滤袋备用。

这里有一些清理滤袋的建议：

快速有效 - 使用强力喷水管（如：花园浇水用软管）喷射袋子的外部以反冲洗聚酯袋碎屑。

更彻底 - 在进行上述喷射操作前使用漂白剂或稀释醋浸泡袋子24小时。充分冲洗以便再次用于过滤缸时已去除所有化学物质。

也可以将过滤袋放在洗衣机中用一般的清洁剂或醋冷洗（可能需要进一步验证。）

质保

红海水族产品质保

感谢您购买红海水族箱系统（以下简称“产品”）

Red Sea Aquatics (GZ) Ltd公司（以下简称“红海”）会对您的产品从购买日期算起24个月内出现的材料和工艺的不良进行保修。如果您对产品进行了注册，红海会提供给您额外的12个月保修期，仅限水族箱的玻璃缸部分（不包含产品的任何其它部件）。在法律禁止以注册为条件的保证条款的司法管辖区，不需要注册，即使您没有注册，您也将获得玻璃水族箱的额外12个月的保修。

您可以登录官网www.redseafish.cn注册您的产品。

红海公司提供的保修不可转让，并且仅限于原始购买者。如果产品符合本保修条款，红海将自行决定使用新零件或翻新零件免费维修产品（不包含运输费用），或以新产品或翻新产品替换产品。

此保修不涵盖正常的磨损、或自然寿命有限的物品或消耗品，例如，但不限于叶轮，海绵，过滤网，和“O”型密封圈。它也不包括运输过程中发生的损坏，因非正常使用而导致的故障或缺陷，和/或自然灾害、事故、线路故障、疏忽、安装、操作或维护不当，由红海指定服务商以外的任何人提供服务而导致的故障。未能按照提供的任何说明（产品手册或其它），或使用产品所在国家/地区的技术或安全标准外使用或组装产品。此外，未经授权的红海服务中心对产品进行的任何修改都会使本保修无效。

为了使本保修生效，请联系您当地的服务中心。为了您的方便，授权服务中心的详细信息可以在红海的官方网站上找到。在执行保修之前，须提供购买凭证。

针对红海的唯一和专属的补救措施是对上述产品进行维修或更换。不得提供任何其它补偿(包括但不限于，对利润损失、销售损失或任何其它附带或间接损失赔偿)。某些司法管辖区不允许排除附带或间接损害，因此上述限制可能不适用于您。在适用法律允许的最大范围内，在任何情况下，红海均不对因使用本产品或因违反本保修条款而造成水生生物和/或其它财产和/或个人的任何损失或损害负责。在适用法律允许的最大范围内，所有默认的保修条款均被排除，并且在可能不排除的范围内，默认保修仅限于上述规定的适用保修期。某些司法管辖区不允许制暗示性担保的持续时间。因此限制可能不适用于您。在本保修中作出的明文保修是排他性的，任何批发商、经销商或其他人不得改动、扩大或变更。

登録

延長保証のためのシステム のオンライン登録

新しいシステムをご登録ください。ガラス水槽に対する通常の1年保証に追加して、もう1年の延長保証が無料で受けられます*:

www.redseafish.com/ja/register



Red Sea REEFER™ G2 SERIES

Reef-Ready systems for advanced hobbyists

REEFER オペレーションマニュアル

REEFER™ オペレーションマニュアル

安全についての注意事項.....	52
設置場所について	53
組み立てについて	54
REEFER™ ウォーターマネージメントシステムについての概要	56
運転について	57
メンテナンスについて	58
製品保証	59

リーフシステムRed Sea REEFER™のご購入ありがとうございます。

レッドシーのREEFER™システムは、リーフアクアリウムやマリンアクアリウムを創り上げるときの基礎システムとして十分な機能をお客様に提供します。

このREEFER™シリーズには、ウルトラクリアーガラスを採用したリムレス水槽とスタイリッシュなキャビネット、自動給水システム付きのプロフェッショナルサンブや独自のサイレント・ダウンフローシステムが搭載されている包括的な水管理システムとが近代的に融合されています。

オールインワン水槽のレッドシーMAXコーラルリーフシステムで培われた独自のテクノロジーを組み入れたREEFER™シリーズは、上級アクアリストが独自にカスタマイズするシステムを創造できるようライティングやサーキュレーション、コントローラーの選択の自由を確保しながら、簡単に管理できるよう設計されています。

このマニュアルは図解の組立マニュアルを補完するもので、全てのREEFER™シリーズの設置と運転に関する説明が記載されています。

REEFER™で自分だけのサンゴ礁をお楽しみ下さい。

REEFER™オーナーの登録を行うとアップデート情報や特典を得ることができます。
redseafish.comでオンライン登録をお願いします。

1 安全について注意事項

以下の安全についての注意をよく読み、遵守して下さい。

危険：水槽装置の使用には水の使用も伴うため、感電に注意して下さい。
下記の状態においては、自分で修理することは避けて下さい。
器具の点検等の必要が生じた場合は、お買い求めの販売店または弊社までご連絡下さい。

警告：使用上におけるケガなどを避けるため、次の事項をはじめとする基本的な安全事項を遵守して下さい。
コードまたはプラグが故障した場合、または正常に動作しない場合、あるいは落としたり何らかの形で損傷したりした場合は装置を動作させないで下さい。

電源ケーブルが損傷した場合、製造者による交換が必要です。

電源プラグやコンセントが濡れないように注意して下さい。コンセント、またはプラグに水が滴らないように、水槽と水槽台はコンセントが付いている壁と離して設置して下さい。コンセントに接続している水槽器具のすべてのコードに、図1に示す「ドリップループ」を施して下さい。「ドリップループ」とは、コンセントまたはコネクターの位置よりも下にあるコードの部分のことです。水がコードを伝わってコンセントに接触するのを防ぐためのもので、必要に応じて、延長コードを使って下さい。プラグやコンセントが濡れてしまったときはコードを抜かないで下さい。その器具に電源を供給するヒューズまたはブレーカーの接続を切った後に装置のコードを抜き、コンセントに水がついていないか検査します。

お様が器具をご使用になる場合、またはお様が近くにいる場合は目を離さないようご注意ください。

ケガをしないよう、作動中の部品には触らないで下さい。

使用していない器具の場合、または部品の脱着および清掃の際には、常にコンセントから器具の電源コードを抜いて下さい。プラグをコンセントから抜く際は、コードを引っ張ったりしないで下さい。必ずプラグをつかんで抜いて下さい。

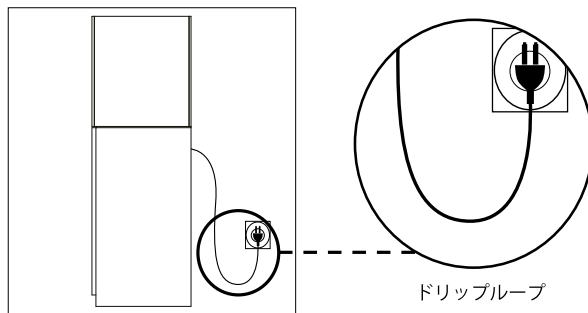
正規用途以外に器具を使用しないで下さい。弊社が推奨または販売していない付属品の使用は、危険を招く原因となる場合があります。

外気に直接触れるところや、温度が氷点下になる所への器具の設置・保管は避けて下さい。

器具がしっかり取り付けられているか、使用前に確認して下さい。

器具に関するすべての注意事項を読み、遵守して下さい。

注：器具の定格より低いアンペア数やワット数の延長コードを使用すると火事につながる場合があります。また、足に引っ掛かったり、引っばったりすることのないよう、コードの配置を慎重に行ってください。



2 設置場所について

REEFER™のセッティングの第一歩は設置に適した場所を選択することです。

重量

システムが設置される床は下記の重量に耐えられることをご確認ください。

飼育水を含めたシステムのおおよその総重量							
モデル	Nano	170 G2	200 G2	250 G2	300 G2	350 G2	425 G2
重量	180kg/ 400lb	275kg/ 607lb	315kg/ 695lb	380kg/ 840lb	470kg/ 1035lb	530kg/ 1170lb	690kg/ 1520lb

モデル	525 G2	625 G2	750 G2	900 G2	P500 G2	P650 G2
重量	850kg/ 1875lb	930kg/ 2060lb	1110kg/ 2460lb	1300kg/ 2870lb	760kg/ 1680lb	940kg/ 2080lb

モデル	S 850 G2	S 1000 G2
重量	1210Kg/ 2675lb	1465Kg/ 3240lb

室温

設置場所の選択は、水温の適温維持に重要です。水槽周辺の気温を22℃に保つことをお奨めします。エアコンや熱源の近く、直射日光の当たる場所は避けて下さい。よく換気ができ、穏やかな光の差し込む部屋が水槽には最適な場所です

アクセスのしやすさ

電源ケーブルや配管ホースの取り外しのため、またはクーラーの排気を逃すため（大きいモデルのみ）、REEFER™を壁から10cm以上離して下さい。水槽のどちらかの側面は十分に空間（60cm以上）を設けて下さい。側背面にかけては壁や家具を隣接させないで下さい。

一般的な注意事項

水槽の周辺は防水し、水によるダメージや塩による腐食が考えられる物を近くに置かないようご注意ください。

注：REEFER™システムに水を張った状態で移動させないで下さい。

3 組み立てについて

下記のインフォメーションはグラフィックマニュアルを補足するものです。

警告： 組み立て式の家具を組み立てた経験が無い場合、適切な人にアドバイスを受けて下さい。

注意： キャビネットの天板(パーツC)とキャビネットの一部パーツ(一部のモデル)は、水槽の下に梱包されています。これらの部品を取り出すには、まずパッケージから水槽を取り出します。パッケージに使用されている発泡スチロールの上にガラス水槽を置いて、水槽の底にある配管取り付け口と床が接触しないようにしてください。

REEFER™には主に下記の部品が含まれています：

- ・ ガラス水槽
- ・ キャビネット (組み立て式)
- ・ ガラス製サンブ:気泡止めスポンジ、225ミクロンフィルターバッグ/メディアカップ(モデルにより異なります)、自動給水装置用のフロート/バルブ付属
- ・ 補水タンク(REEFER 900 G2、REEFER-S 850 G2 / 1000 G2には付属していません)
- ・ ガラス製拡張サンブ(REEFER 900 G2、REEFER-S 850 G2 /1000 G2のみ付属)

REEFER™の組立に関する詳しい説明はグラフィックマニュアルをご参照下さい。

グラフィックマニュアルの完成図の通りにドアを含めた組立てを完了し終えたら、運用する場所に設置して下さい(設置場所についての章をご参照下さい)。

注： REEFER™の組立てはマニュアルに指示された順序に従って行って下さい。

警告： 水槽を持ち上げる前に下記の注意事項をお読み下さい。

キャビネットの高さは床から約86cmとなります。(ペニンシュラの場合100cm)
右上の表はモデル別のおおよその水槽重量を示しています。

各水槽のおおよその重量							
モデル	Nano	170 G2	200 G2	250 G2	300 G2	350 G2	425 G2
重量	25kg/ 55lb	35kg/ 77lb	40kg/ 88lb	55kg/ 122lb	58kg/ 128lb	64kg/ 140lb	95kg/ 210lb

モデル	525 G2	625 G2	750 G2	900 G2	P500 G2	P650 G2
重量	125kg/ 275lb	155kg/ 340lb	195kg/ 430lb	225kg/ 500lb	105kg/ 230lb	170kg/ 375lb

モデル	S 850 G2	S 1000 G2
重量	226Kg/ 500lb	258Kg/ 570lb

各水槽のサイズや重量に合わせて、水槽を持ち上げるのに適正な人数であるかを確認して下さい。

水槽を持ち上げる際に、この作業に適した体力を持った人物であるか、また、重量物を持ち上げる正しい方法を教えられているかをご確認下さい。

水槽をキャビネットに正しく配置したら、キャビネットにがたつきがないかチェックして下さい。必要に応じて、キャビネットのポジションを再調整して下さい。

注： REEFER™システムに水を張った状態で移動させないで下さい。

調節足付きのユニット：水平器をガラス水槽に置き、足の高さを調節して水平を保ちます。全ての足が接地していることをお確かめください。

ガラスサンブを設置する前にキャビネットのドアが正しく取り付けられていることをご確認下さい（キャビネットの組み立てマニュアルをご参照下さい）。サンブを設置した後は、サンブを取り出さない限り下側のヒンジの調整は行えなくなります。

ドアが正しく取り付け、プッシュオープナーの前部分を回転させて適正な位置に調整すると、ドアを押しした時に飛び出して開きます。

オーバーフローボックスパイプ：

取り付けの前に、スレッドコネクター上のOリングが正しい位置にあることをご確認下さい。正しく取り付けのために、キャビネットの内側からしっかりとスレッドコネクターを握り、手の力で良く締め付けて下さい。締め付けに道具は使わないで下さい。一度取り付けた後はパイプをオーバーフローボックスから取り外さないで下さい。反回転を防ぐロック機能の効果が低下します。

サンブパイプ：

取り付けの前に、コネクター上のOリングが正しい位置にあることをご確認下さい。取り付け後はパイプが垂直になっているか、ナットが適正な位置にありパイプをしっかりと固定しているかをチェックして下さい。締め付けに道具を使わないで下さい。また、締め付け過ぎにご注意下さい。

オーバーフローボックスカバー：

オーバーフローボックスカバーはサーフェススキマーの水の落下音を軽減します。照明器具などマウント方式の機器をオーバーフローボックス内の背面のガラス壁に取り付けたい場合はグラフィックマニュアルに示されたようにカバーの一部を外して下さい。その部分を取り外した後は、やすりかサンドペーパーでバリを削り取って下さい。

4 REEFER™ ウォーターマネージメントシステムの概要

サーフェススキマー/オーバーフローボックス

水槽の表層の水はサーフェススキマーのスリット部分を通り抜けオーバーフローボックスに流れ込みます。ボックス内にはサイレントフロー・ダウンパイプシステムの2本の落とし込みパイプとサンプ内のポンプからの戻り水が通るパイプと吐出ノズルが収められています。サイレントフロー・ダウンパイプシステムには、流量を調整できるメインパイプと2番目のバイパスパイプで構成されています。

メインダウンパイプに被せる上部が透明なエクスターナルパイプはオーバーフローボックス全体の高さを通しながら有益な流れを確保します。

メインダウンパイプにある流量の微調整ができるフローバルブによりオーバーフローボックス内の水位をメインパイプとバイパスパイプの流入口の間で維持することが可能です。これにより、サンプに流れ込む水の落下音を軽減しながら有益なサーフェススキミングを行うことができます。

フローバルブの調整が適正でない場合は、サンプへの落下音が伴います。この場合、フローバルブの調整が必要です。

サンプ/ATO（自動給水）システム

メインダウンフローパイプとバイパスパイプから流れ落ちる水はサンプ内のレセプションチャンバー（受け入れ区画）に入ります。レセプションチャンバーに入れる過材の選定には注意が必要です。ダウンパイプからの乱流が過材の粒を常に摩擦させる原因となります。

次に水は400ミクロンフィルターを通して、メインのスキマー/リアクターチャンバー内に流れ込みます。フィルターが目詰まりした場合はバイパスを通るのでサンプの全体的なオペレーションに影響を与えることはありません。

洗浄済みの気泡止めスポンジはスキマーチャンバーとポンプ区画の間にあり、スキマーから発生した気泡が水槽に流入するのを防ぎます。

ポンプ区画の水位の低下を招く蒸発で減少した水は、ATO（自動給水）システムにより補充されます。

ポンプ区画内の水位を一定に維持すること（ATOシステムにより）は、メインポンプの吸水口側の水頭圧を一定に保てるため、ウォーターマネージメントシステム全体の安定にとって重要です。

リザーバタンク（貯水槽）には約3日間分の蒸発に対する水が貯められていますが、常に補充を行なって下さい。

循環ポンプ

推奨する循環ポンプの流量は下の表内に示されています。より流量の多いポンプを使用すると、サーフェススキマーのスリットを加工しない限り、水槽内の水位はより高くなります。

推奨する循環ポンプの流量					
モデル	Nano	170 G2	200 G2	250 G2	300 G2
流量	2000lph /530gph	2000lph /530gph	2000lph /530gph	2500lph /660gph	3000lph /790gph

モデル	350 G2	425 G2	525 G2	625 G2
流量	3000lph /790gph	4000lph /1060gph	5000lph /1060gph	6000lph /1600gph

モデル	750 G2	900 G2	P500 G2	P650 G2
流量	7000lph /1850gph	10000lph /2640gph	6000lph /1600gph	7000lph /1850gph

モデル	S 850 G2	S 1000 G2
流量	9000lph /2385gph	10000lph /2650gph

5 運転について

最初の水張り

全てのパイプが適正に取り付けられ、ホースがしっかりと固定されていることを確認して下さい。

水を張る前にサンプの水量に影響を及ぼす全ての周辺機器を接続して下さい。

メインフローバルブを開放（反時計回り）します。

オーバーフローボックスに深さ約15cm分の水を入れ、全てのパイプ接続部から水漏れがないか確認して下さい。また、キャビネット内に水漏れがないか確認して下さい。

メイン水槽に給水します。水槽が満水になった後はサンプ内の水位に注意を払いながら、続行します。

ポンプ区画の水位が約15cmになったら給水を止め、循環ポンプのスイッチを入れて下さい。

注： サンプへの水の入れ過ぎや機器の詰め込み過ぎは、停電時に水があふれ出す恐れがあります。

スキマーの電源またはサンプの水量に影響を及ぼす他の機器の電源を入れ、ポンプ区画の水位が約15cmになるように、必要に応じて水を足します。

数分間システムを稼働させた後にフローバルブを調整（下記をご参照下さい）し、オーバーフローボックス内の水位が適正な位置に安定するようにします。

システムへ給水または排水を行いながらフローバルブを調整し、システム内の水位が安定するようにします。

メインダウンフローバルブの調整

オーバーフローボックス内の水位を上げるにはバルブを時計回りに回し、水位を下げるにはバルブを反時計回りに回します。

メインダウンフローバルブは流量の細かな調整を行えます。しかし、調整が反映され、安定するまで数分間はかかります。

大まかな調整が完了したら、さらに細かい調整を行います。調整毎に数分間待ちながら行います。安定した水位に落ち着くまで、度重なる調整が必要です。適正に調整された場合、サンプに流れ落ちる水の騒音が無くなります。

ATO（自動給水）システム

初期の立ち上げの際はシステムが安定するまでATOのご使用を控えて下さい。また、自動給水バルブが完全に閉められていることをご確認ください。

RO水をリザーバタンクに貯めます。自動給水バルブ先のチューブをフロートバルブから外して徐々にバルブを開き、1秒間に1滴が落ちるように調整します。

フロートの角度を調整します。水位がポンプの吸水口より高い任意の位置になった時バルブが閉まるようにします。ただし、バブルトラップ（気泡止め）の位置より高くは設定しないで下さい。

注： サンプのメンテナンスを行う際は、常に給水バルブを閉じて下さい。

停電時のテスト

初期のセットアップが完了し、全ての機器をサンプに設置してシステムを安定させるメインフローバルブの調整を行った後は、停電時のテスト（全ての電源を切る）を実行してサンプの縁から水が溢れ出さないかを確認します。

6 メンテナンスについて

ウォーターマネージメントシステムの円滑な運用のために、定期的に下記の事項をチェックして下さい。

- ・ オーバーフローボックス内の水位 - フローバルブの調整が必要です。
- ・ リザーバータンク内の水位 - RO水の補給が必要です。
- ・ サンプ内の水位 - 自動給水フロートバルブが正しく機能しているかチェックが必要です。
- ・ ミクロンフィルターバッグ - 水がバッグ内を通り抜けているかチェックし、必要に応じて清掃または交換を行なって下さい。
- ・ サーフェススキマーのスリット - 水が流れやすくなるよう付着物やごみを取り除いて下さい。
- ・ 吐出ノズル - 詰まってないか、コケが生えてないかをチェックして下さい。

ミクロンフィルターバッグ

フィルターバッグを少なくとも3セットをご用意されることをお勧めします。

フィルターバッグの清掃には何通りかの方法があります。

素早くて効果的 - パワフルなジェット水流でバッグの外側から吹き付け、フェルト生地から蓄積物を逆洗します。

さらに丁寧に - バックを漂白剤か希釈した酢酸を含む溶液に24時間漬けて置きした後、上記の要領で洗浄します。

ご使用前には十分にすすぎ、全ての化学成分を良く取り除いて下さい。

製品保証

レッドシーのアクアリウムシステム（以降、「製品」）のご購入誠にありがとうございます。

Red Sea Aquatics (UK) Ltd. (Red Sea) では、当初購入から12カ月の期間について、材料および仕上がりの欠陥に対してご購入製品の保証を行います。また、製品の登録を済ませた場合には、ガラス水槽のみ（正規キャビネット使用時のみ適用、および製品の他の部品は含まれない）を対象とした、もう12カ月の延長保証を行います。登録を条件とする保証条件が法律で禁止されている司法管轄区では、登録は不要であり、登録しなくてもガラス水槽の12カ月の延長保証を受け取るものとします。

製品の登録は、<https://www.redseafish.com/ja/certificate-of-warranty/>

レッドシーが提供する保証は元の購入者に限定され、譲渡品または中古購入品には適用されません。製品がこの保証の対象である場合、Red Seaは独自の裁量で、新しい部品または再生部品で製品を修理するか、新しい製品または再生製品との交換を無料で行います（送料は購入者負担となります）。

この保証は、使用上に影響のない細かな傷や欠損に関しては対象としていません。また、インペラーやフィルターバッグ、Oリングなど消耗材も対象外です。また、天変地異や事故による損傷、運搬中に発生した損傷、誤用、乱用、不注意、不適切な設置方法、あるいは別用途での使用、構造変更により発生した故障は対象とはなりません。また、提供された指示（製品マニュアルなど）、または製品が使用されている国の技術および安全基準に従って製品を使用または組み立てていない場合やRed Seaが認定していない者による製品の変更は、この保証を無効とします。

保証期間中または保証期間後、本製品に問題が生じた場合は、購入された小売店または弊社にご連絡下さい。また、Red Seaのウェブサイト内にも情報のみを提供するサポートセンターがあります。保証行為の実行には購入日を証明するものがが必要です。

RedSeaは、この製品の使用の結果発生した偶発的、間接的損害、またはこの保証の侵害により発生した偶発的、間接的損害には責任を負いません。販売性および特定用途への適合性の保証を含め、すべての明示的および暗示的保証は、上記該当保証期間に限定されます。この保証でなされた明示的な保証は排他的であり、いかなる代理店、販売店、または他の者によっても、変更、拡大、または変更することはできません。これらの文言は、お客様の法的権利に影響を及ぼすものではありません。本製品の使用による生体の死亡等には一切の保証は行いません。

Red Sea U.S.A

4687 World Houston Parkway
#200 Houston,
TX 77032, U.S.A
support.usa@redseafish.com

Red Sea Europe

655 Rue des Frères
Lumière 27130 Verneuil
d'Avre et d'Iton, France
support.fr@redseafish.com

UK & Ireland

Red Sea Aquatics (UK) Ltd
PO Box 1237
Cheddar, BS279AG
uk.info@redseafish.com

Germany & Austria

Red Sea Deutschland
Büro Deutschland
Prinzenallee 7 (Prinzenpark)
40549 Düsseldorf
support.de@redseafish.com

China

Red Sea Aquatics (GZ) Ltd
Block A3, No.33 Hongmian Road,
Xinhua Industrial Park, Huadu
District, Guangzhou City, China,
Postal code 510800.
Tel: +86-020-6625 3828
info.china@redseafish.com

株式会社エムエムシー企画レッ
ドシー事業部

〒174-0063
東京都板橋区前野町6-29-4
info@mmcplanning.com



Scan to join our Facebook group

#5501G2_REEFER G2 Series Operation Manual_Multilanguage_V22A

