

Red Sea REEFER™

Peninsula 350 G2+

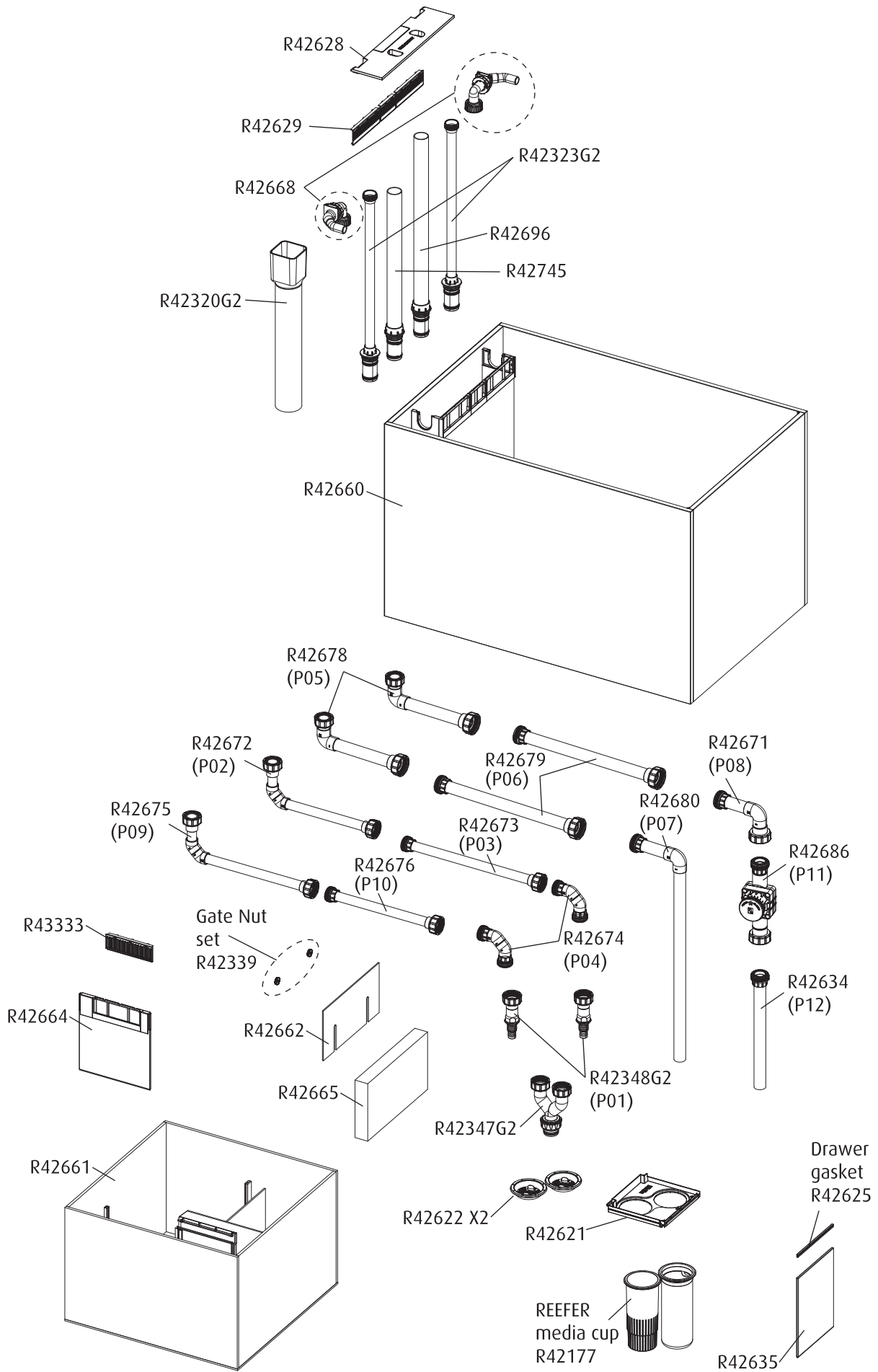
Aquarium & Cabinet Assembly Manual



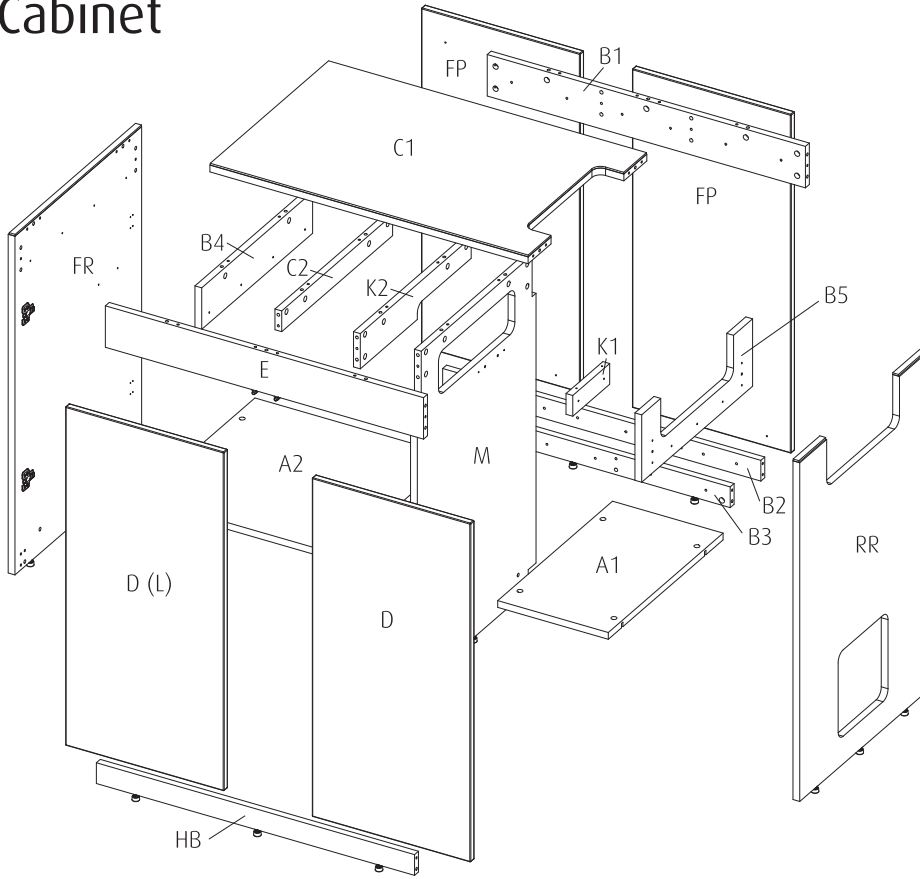
Resource & Support Center:
www.redseafish.com/support/



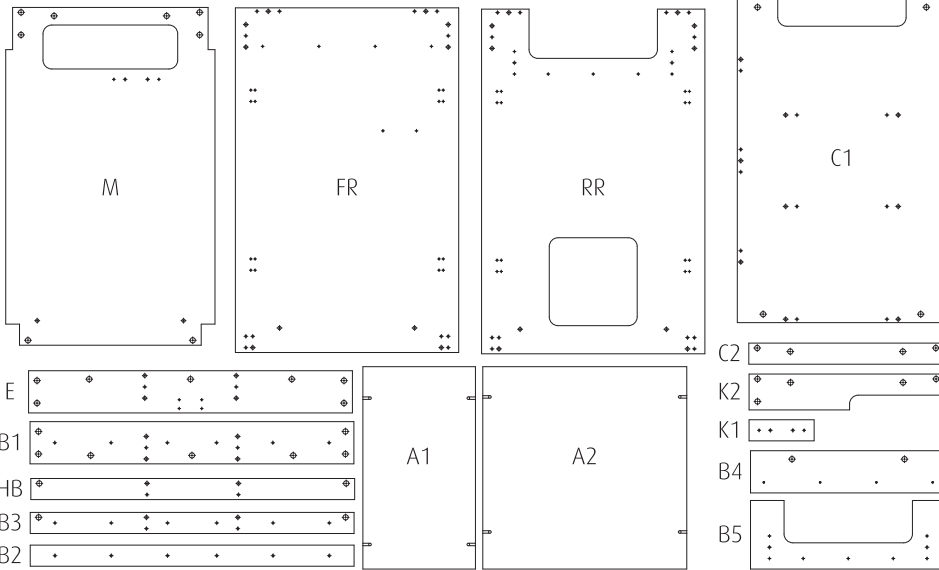
Aquarium Water Management System



Cabinet



V1	ST4x16	24	M1	M1	45
V2	ST3.5x14	4	P	P	45
V3	ST5x35	21	Q	Q	45
V4	ST5x60	1	L1	L1	4
V5	ST5x70	1	L3	L3	4
V11	ST5x55	7	T1	T1	2
V12	ST5x30	2	N	N	48
W	W	25	R	R	2
Y40-40	Y40-40	1	Y40-57	Y40-57	1
Y32-48	Y32-48	1	Y25-25	Y25-25	2
Y32-14	Y32-14	2	F1	F1	8
F2	F2	4	F3	F3	6
	ZP		ZW	ZB	15



Lable	Part Description	Peninsula 350 G2+	
		BLACK	WHITE
A1	Cabinet Bottom Chiller	8260	
A2	Cabinet Bottom Sump	8259	
B1	Cabinet "Fixed Side" Upper	8264	
B2	Cabinet "panels side" Lower	8267B	
B3	Cabinet "panels side" feet Lower	8266B	
B4	Cabinet Side Top support front	8743	
B5	Cabinet Side Top support rear	8744	
C1	Cabinet Top	8258	
C2	Cabinet Top Internal Support	8746	

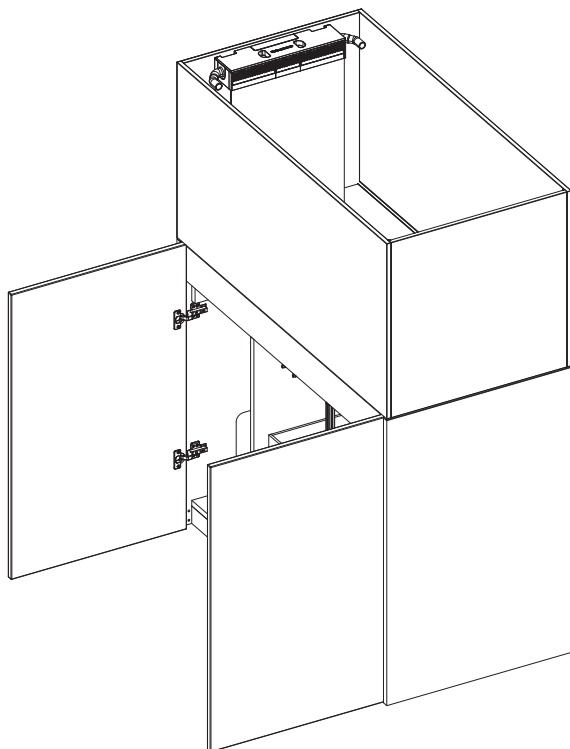
Lable	Part Description	Peninsula 350 G2+	
		BLACK	WHITE
D	Cabinet Door	8202	8204
E	Cabinet "Door Side" Upper	8263B	
FP	Cabinet fixed Panel	8203	8205
FR	Cabinet Front	8257B	8257WB
HB	Cabinet "Door Side" Lower	8265B	
K1	Cabinet Internal wall pipe clip board	8262	
K2	Cabinet Top internal pipe clip board	8269	
M	Cabinet Internal Wall	8261	
RR	Cabinet Rear	8731B	8731WB



LEFT-SIDE Door installation

- FR** Montage des portes Accès à gauche
- DE** Linke Seite Türeinbau
- CH** 左侧门板安装
- JP** 左側フロー組み立て方

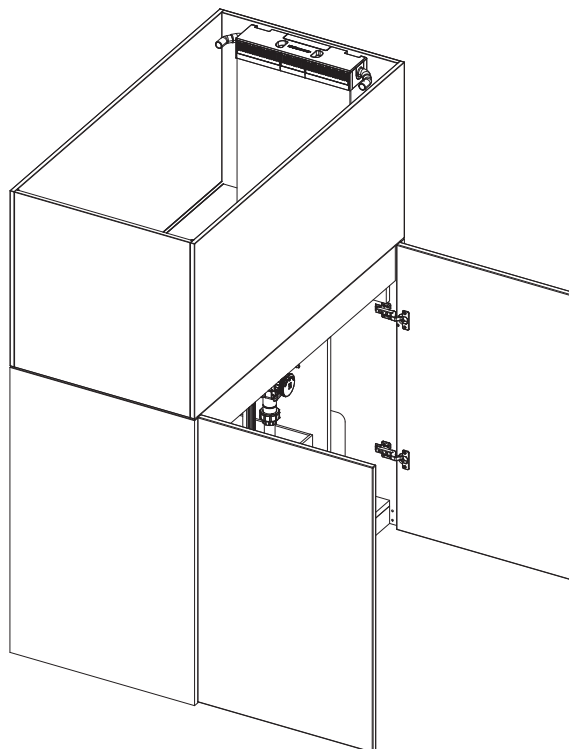
21 — 37

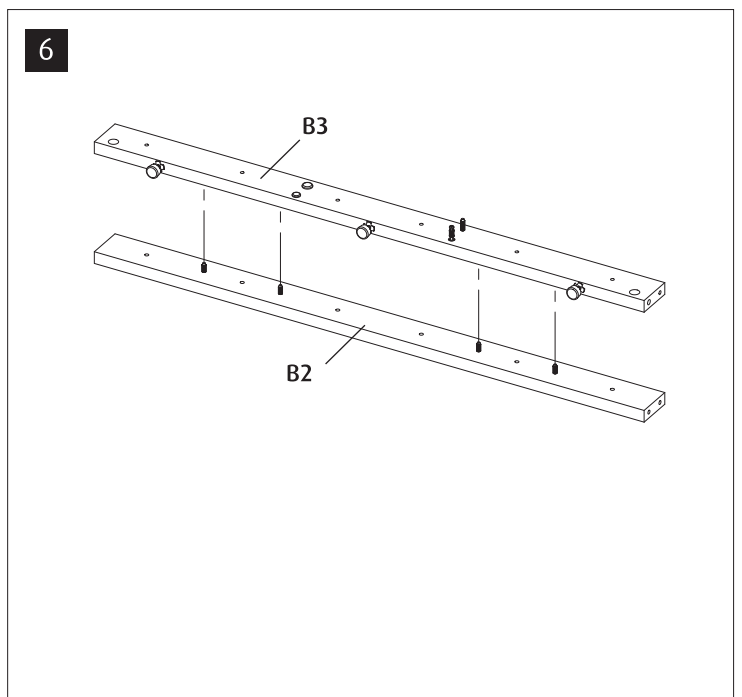
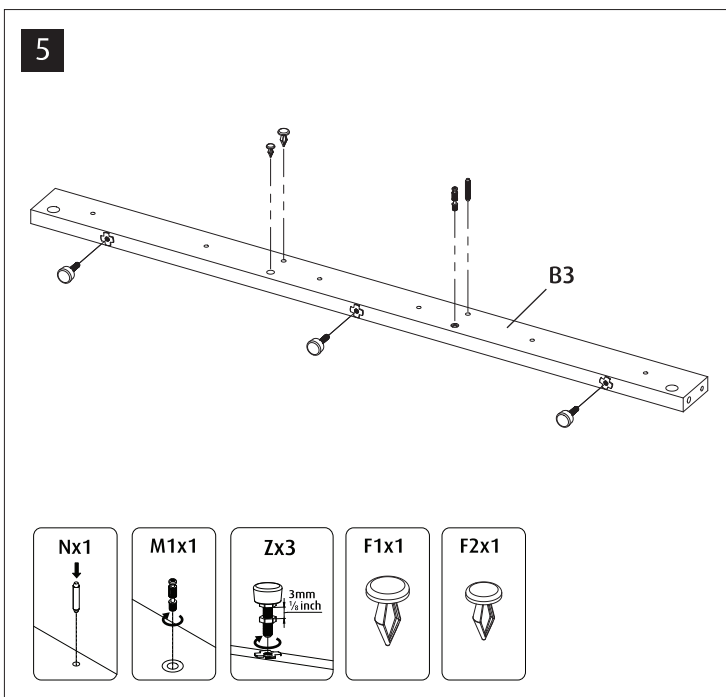
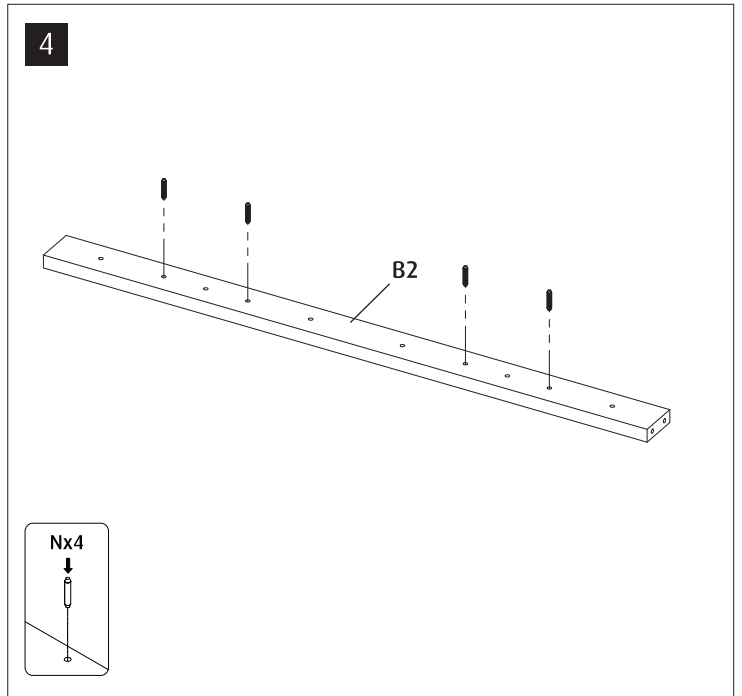
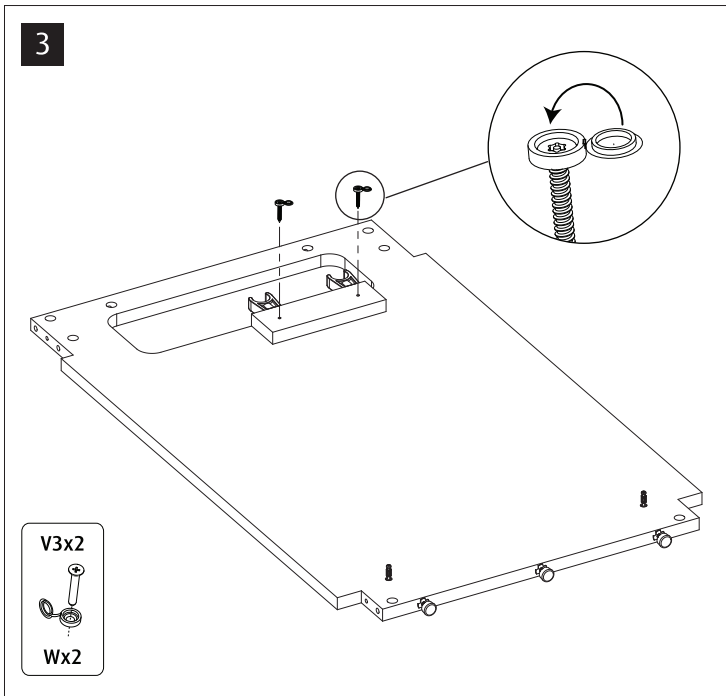
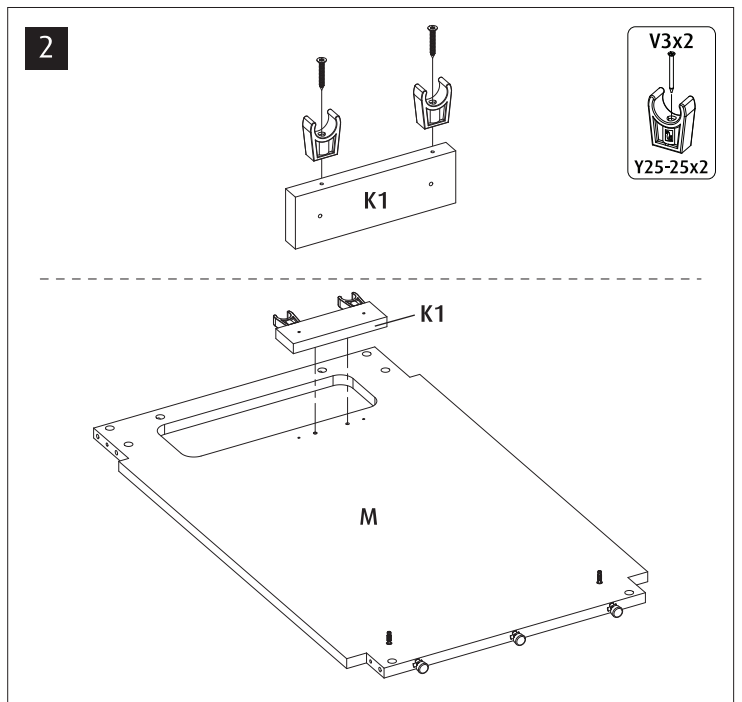
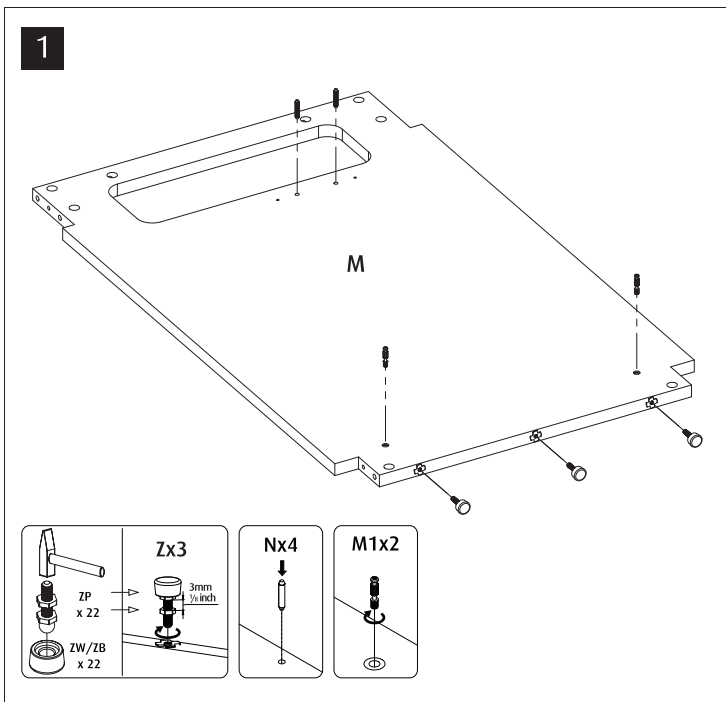


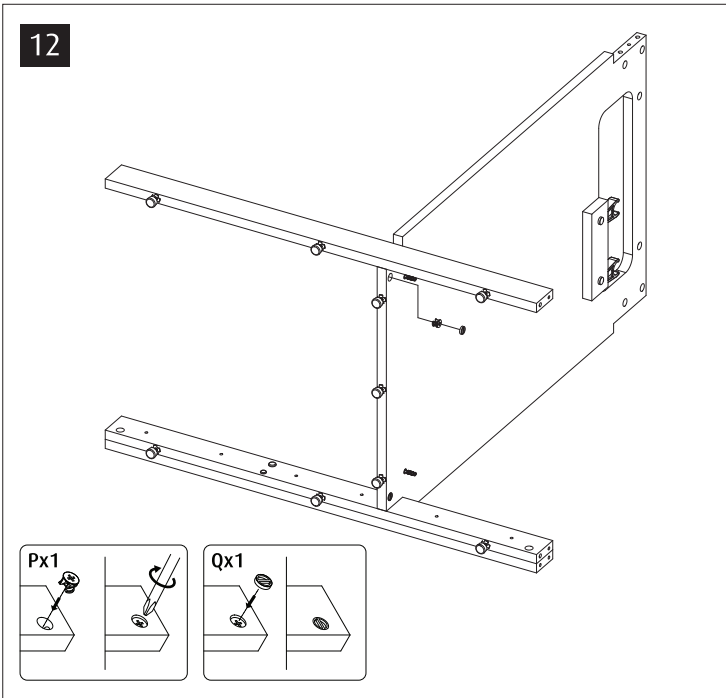
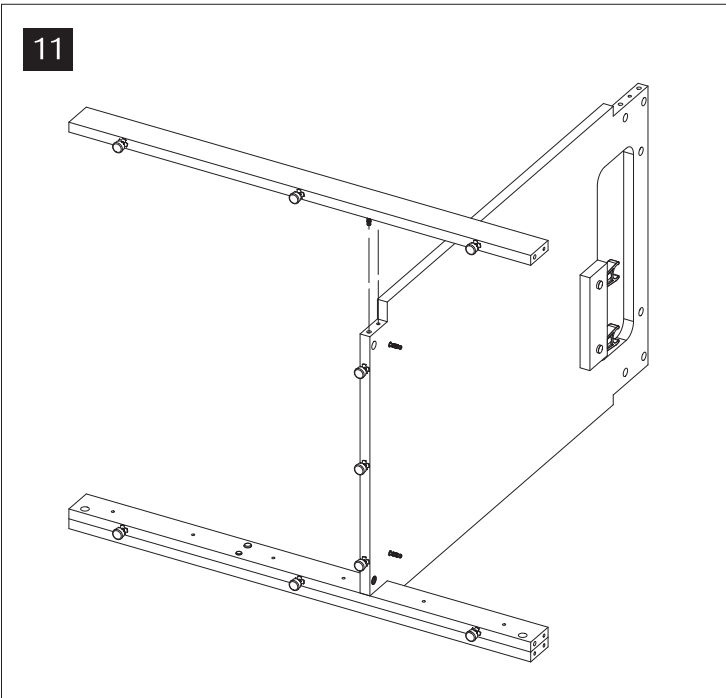
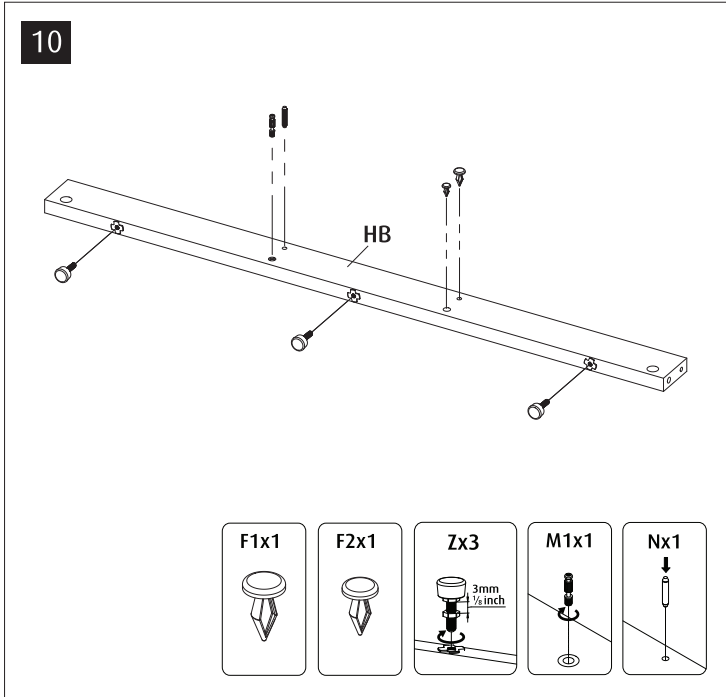
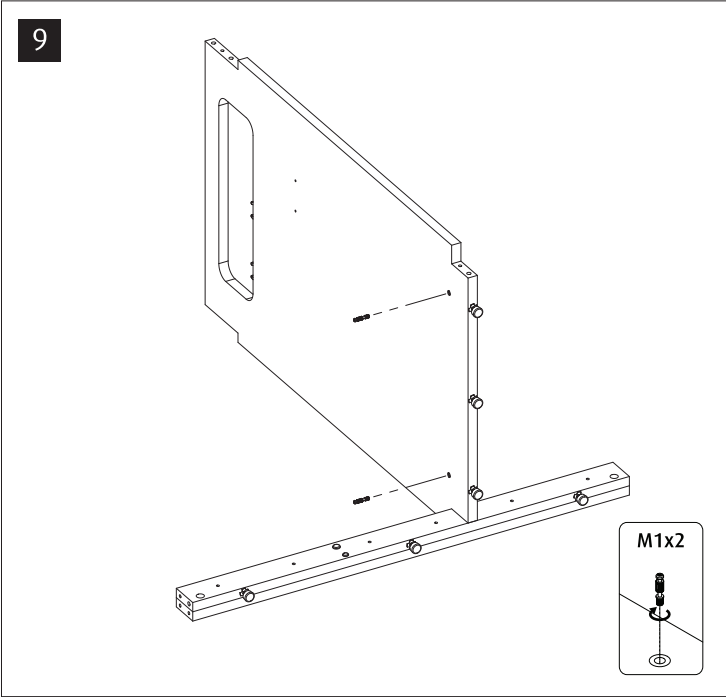
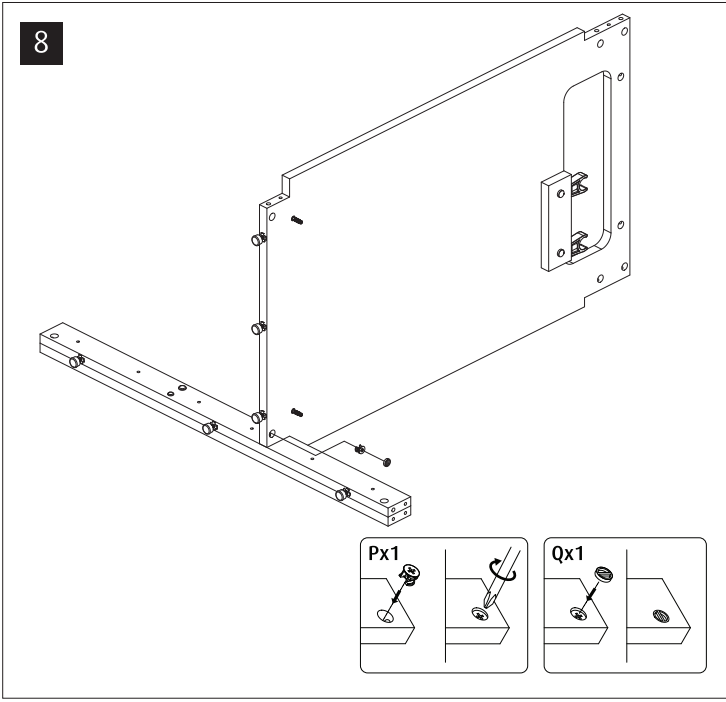
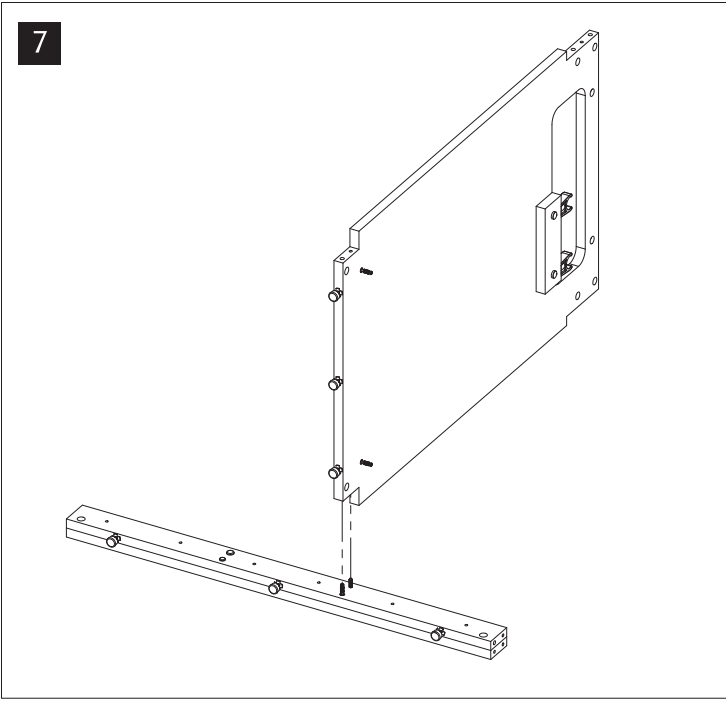
RIGHT-SIDE Door installation

- FR** Montage des portes Accès à droite
- DE** Rechte Seite Türeinbau
- CH** 右侧门板安装
- JP** 右側フロー組み立て方

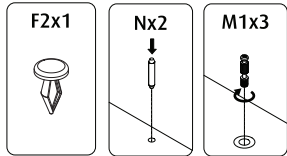
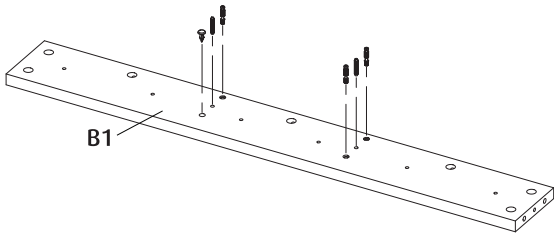
5 — 20



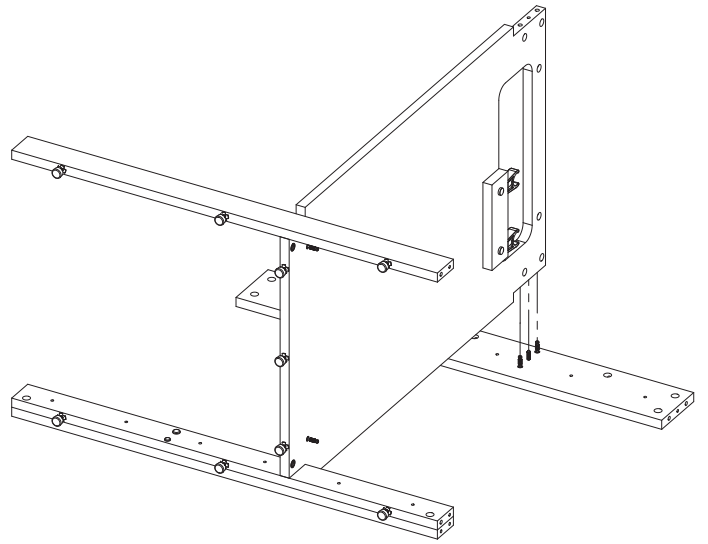




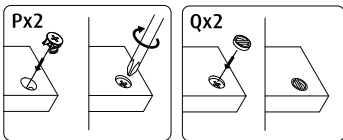
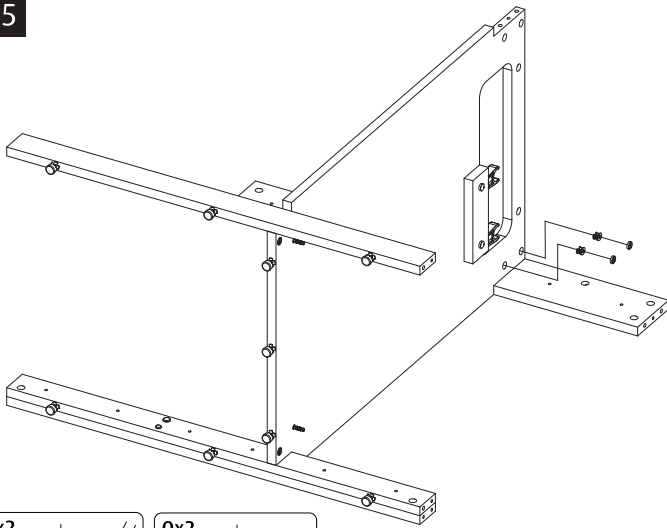
13



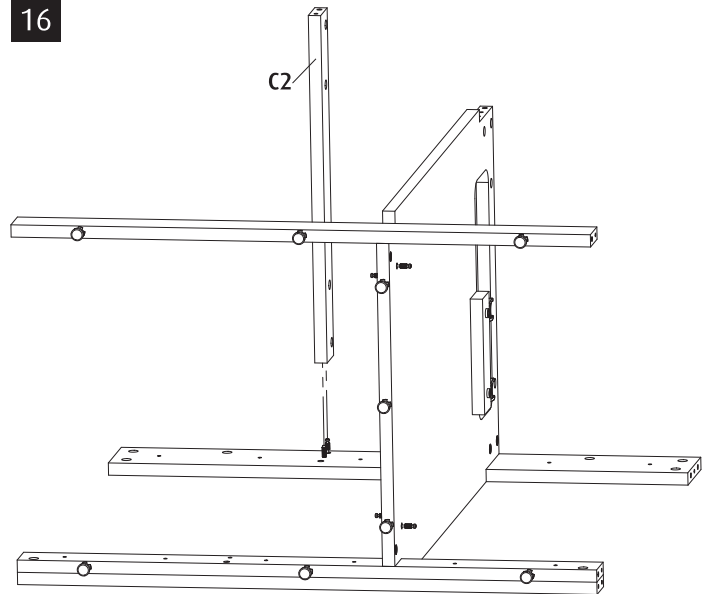
14



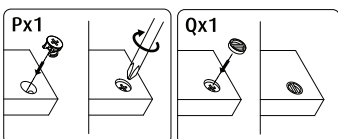
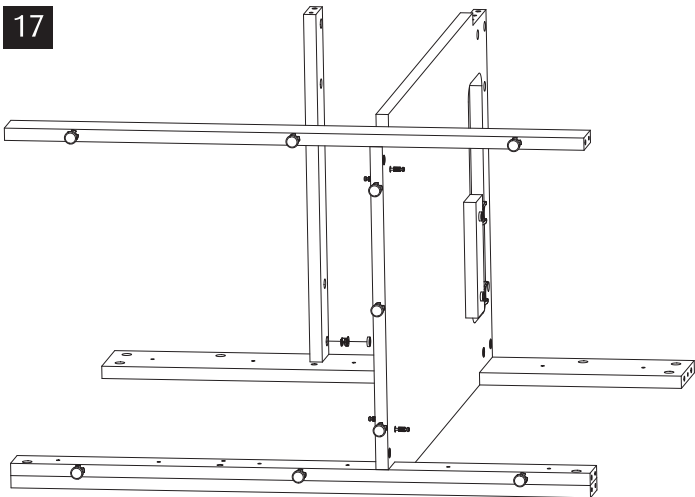
15



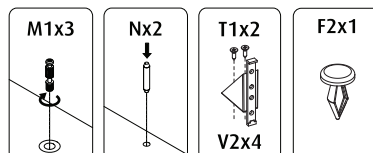
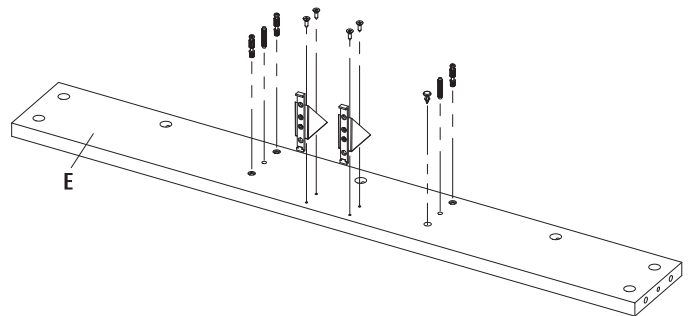
16

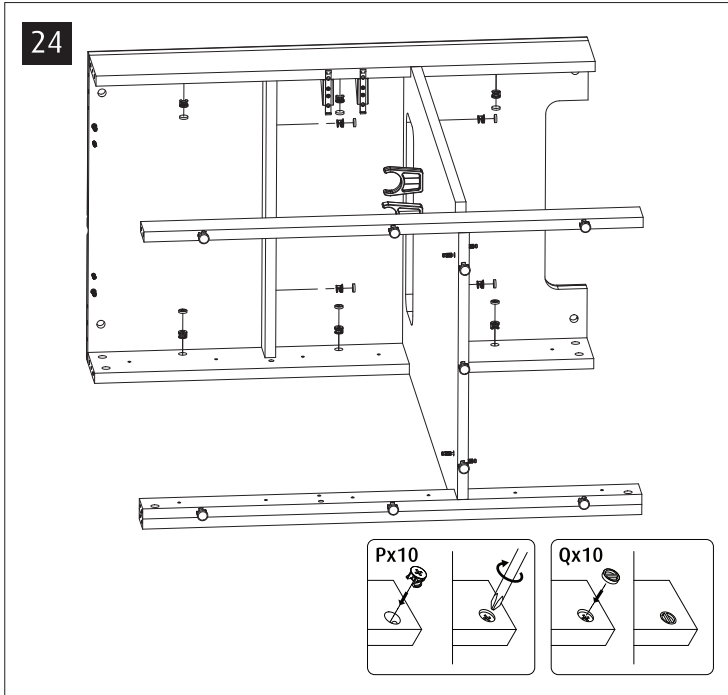
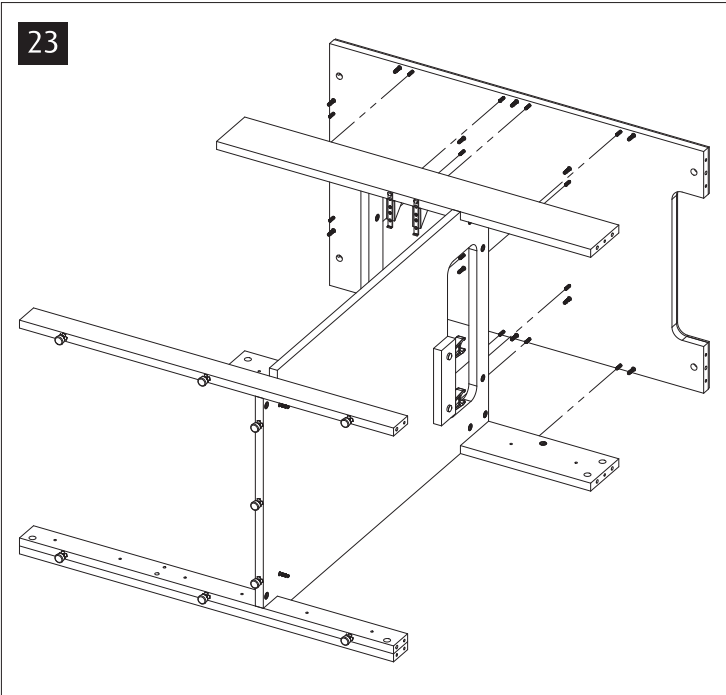
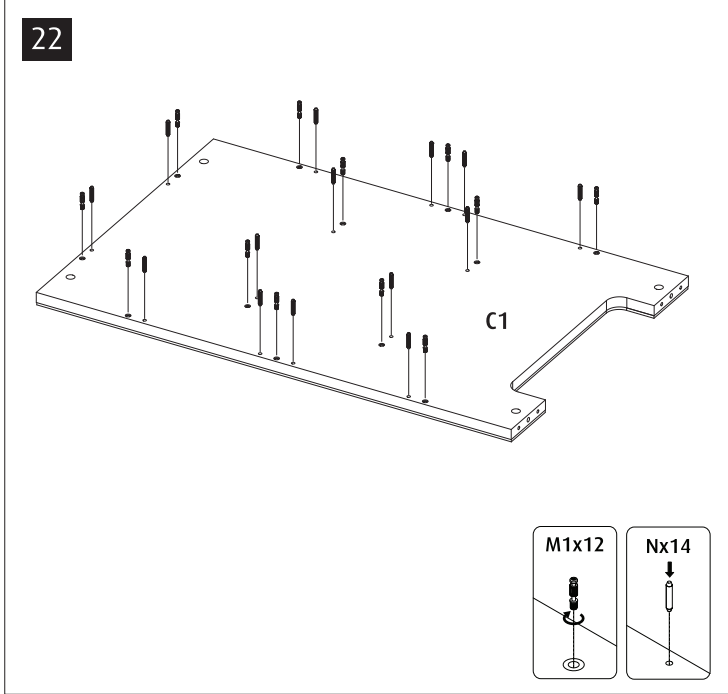
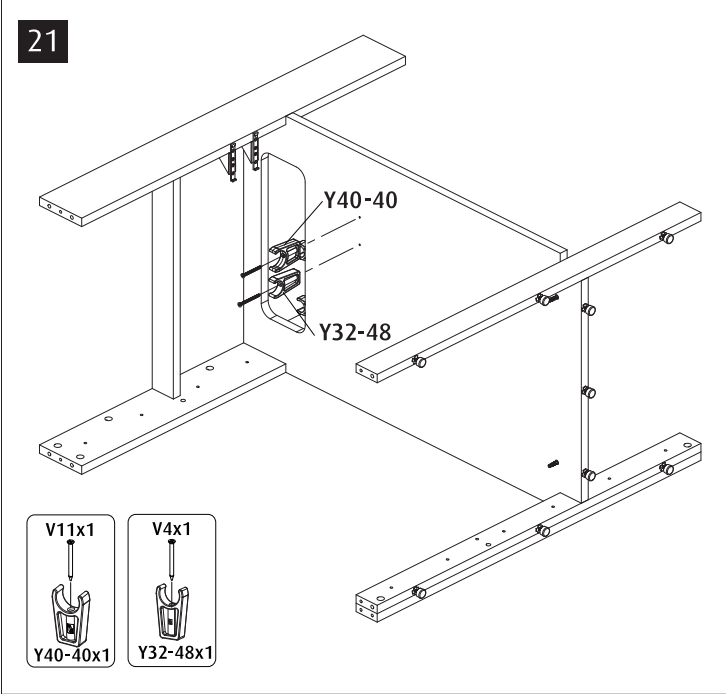
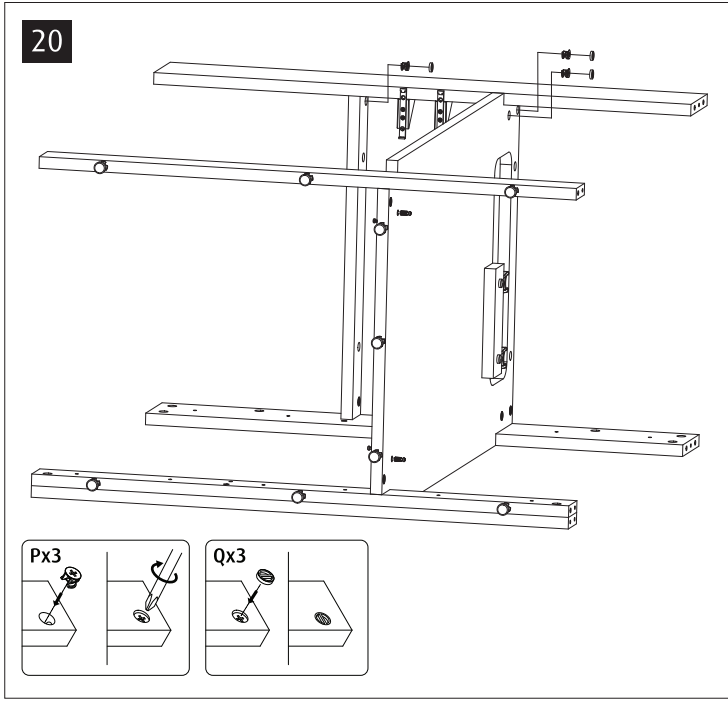
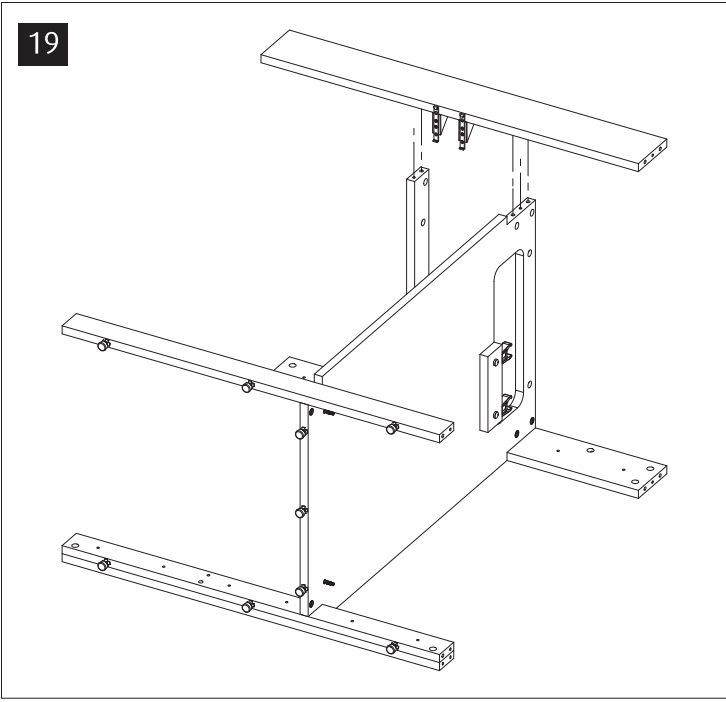


17

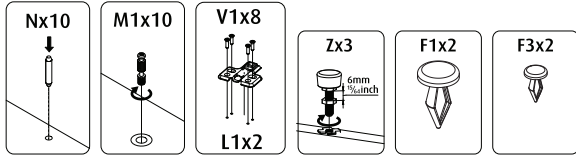
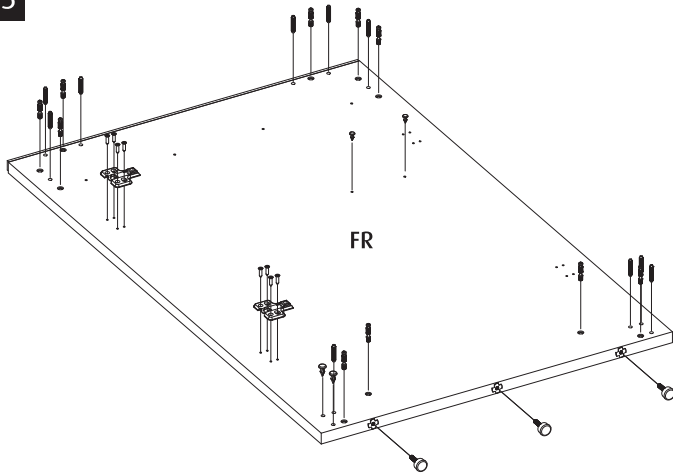


18

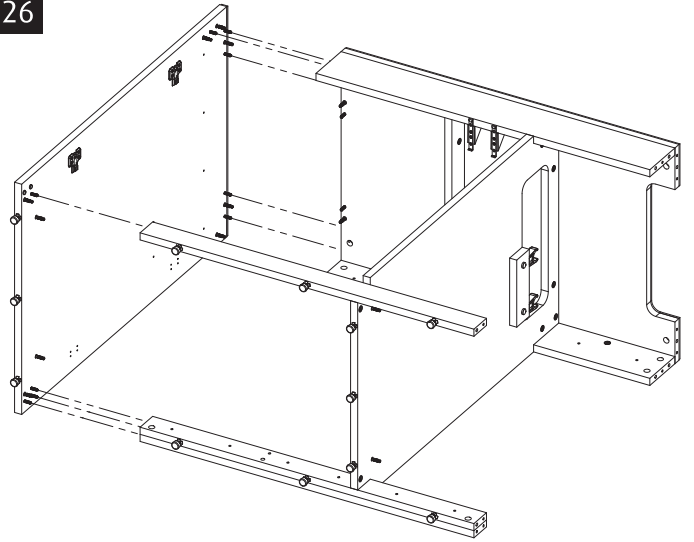




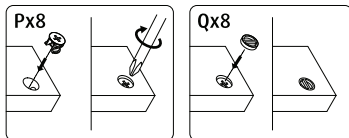
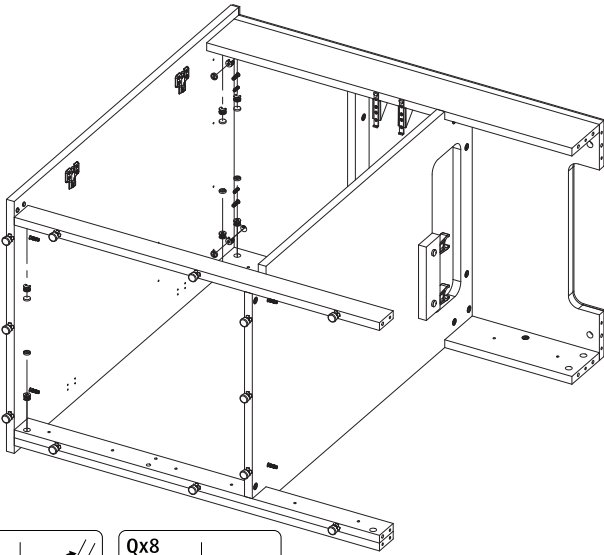
25



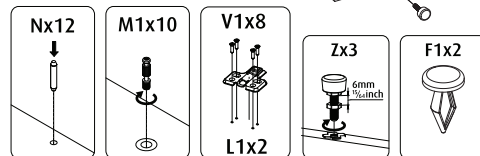
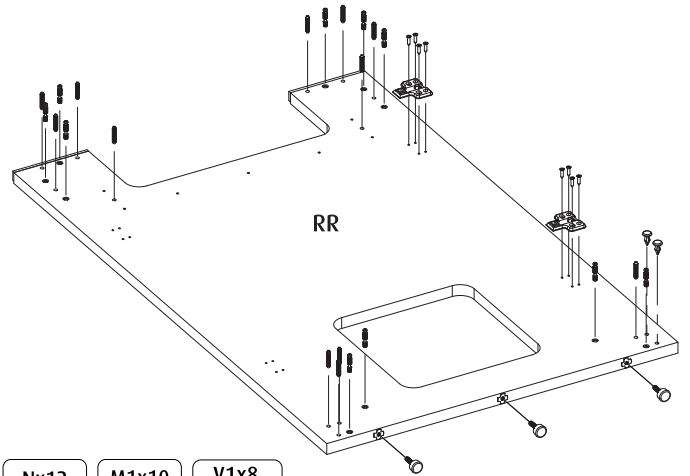
26



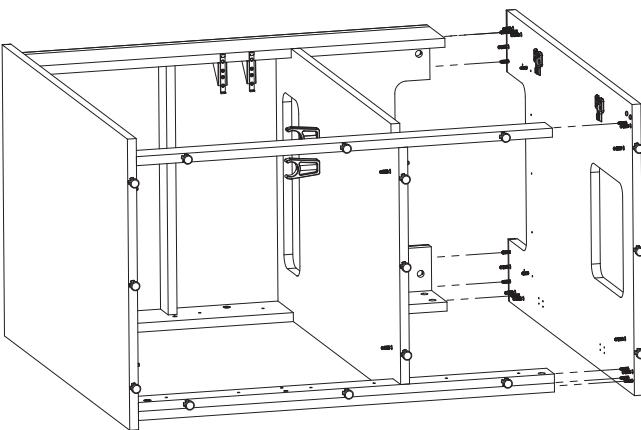
27



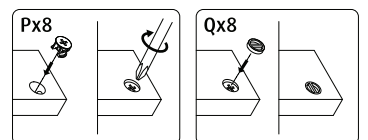
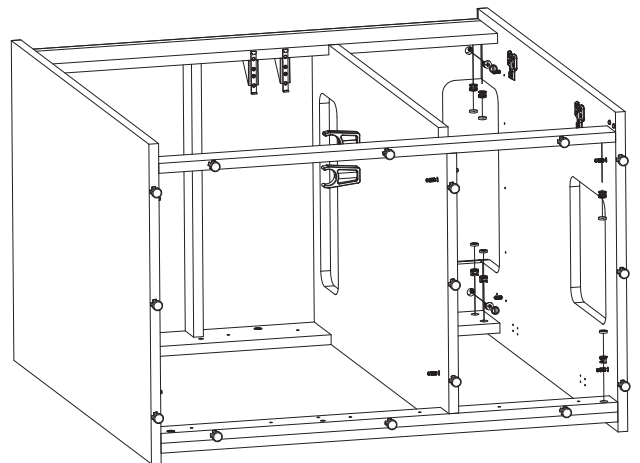
28



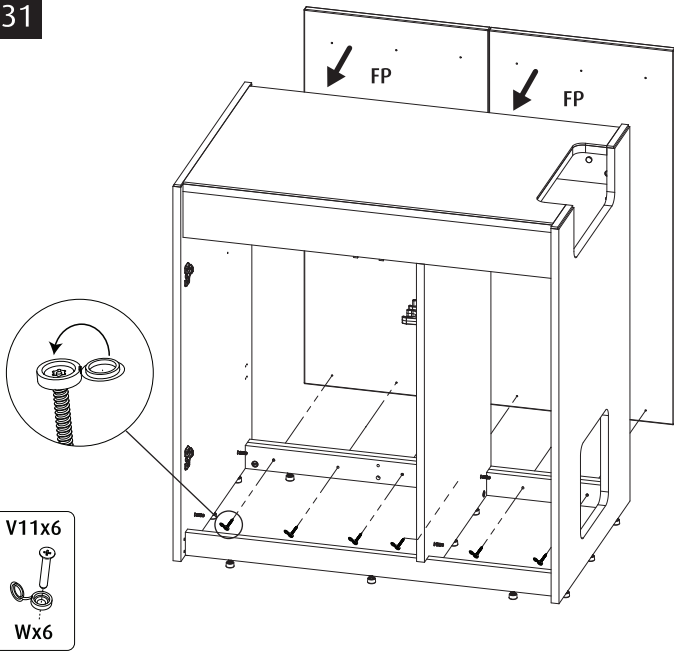
29



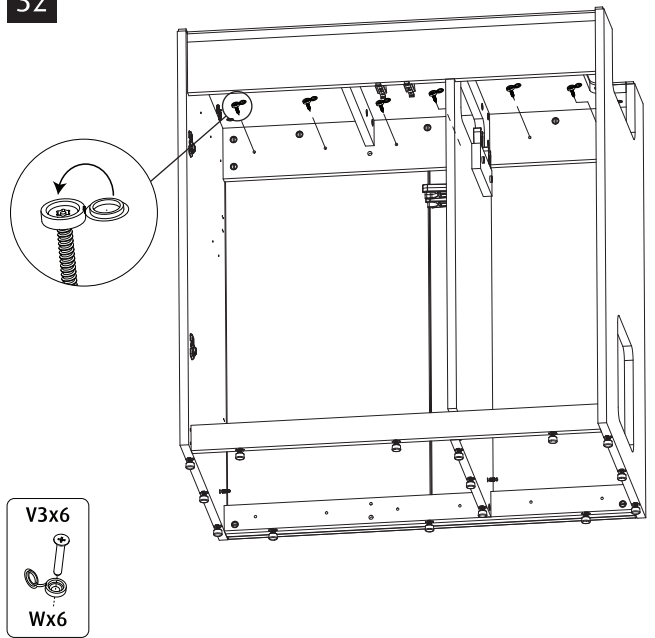
30



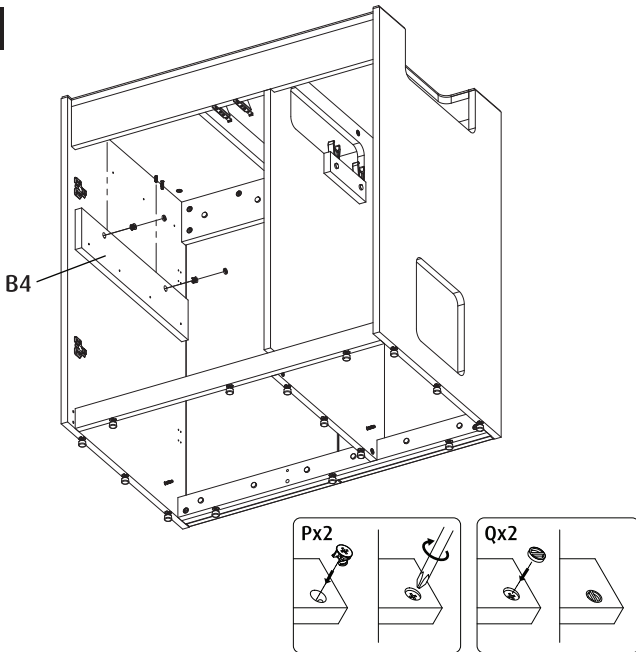
31



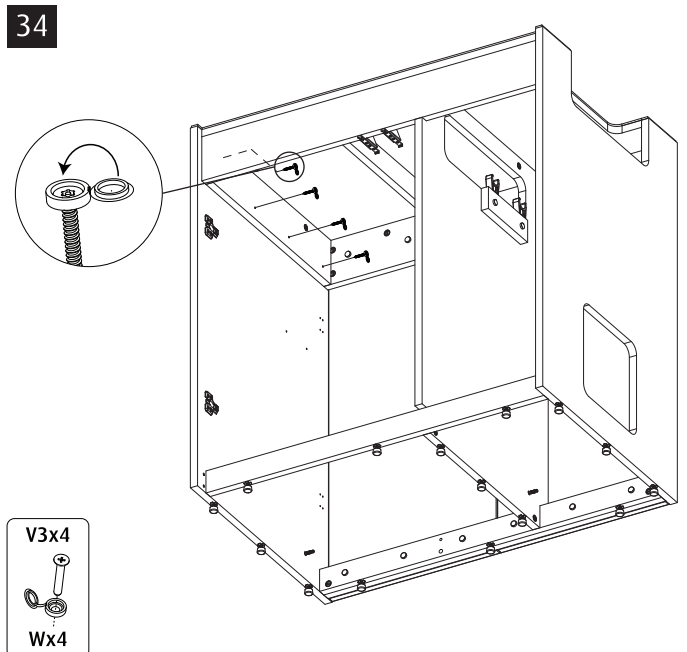
32



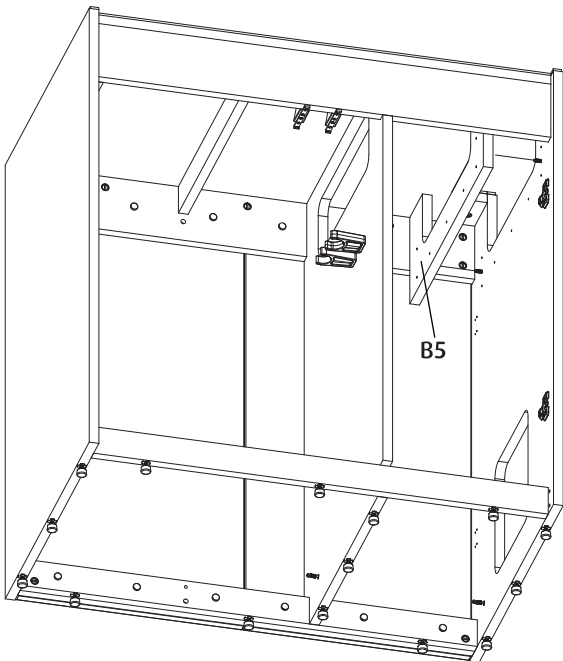
33



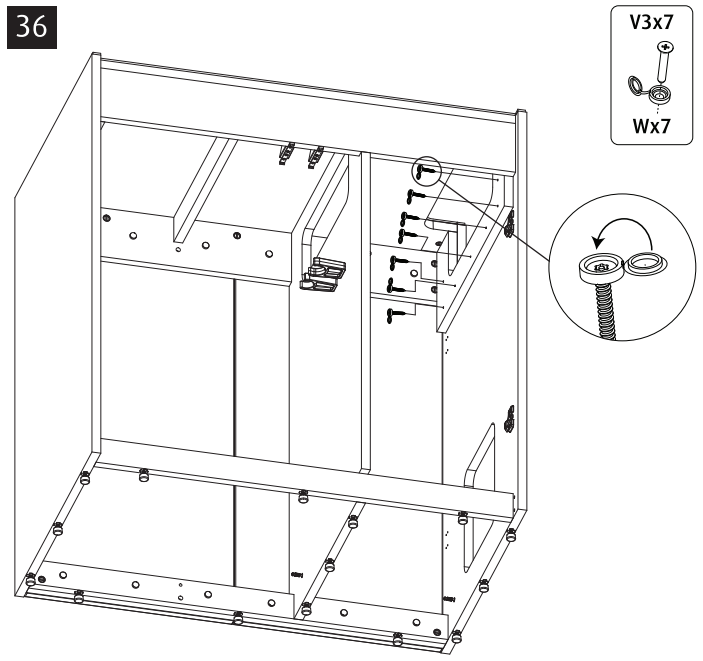
34



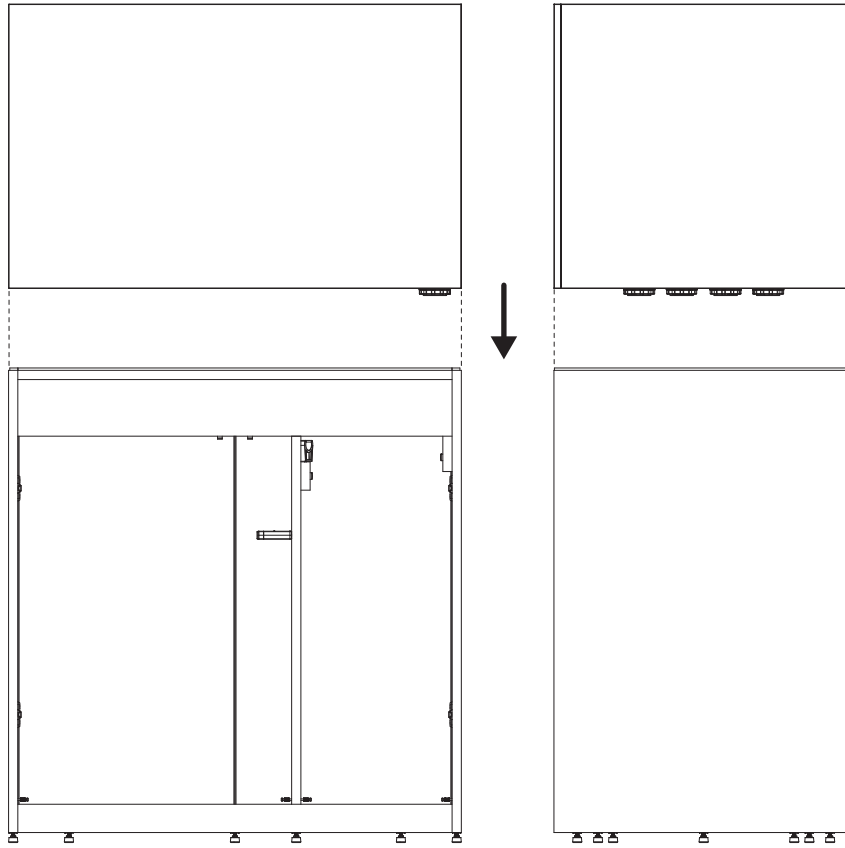
35



36

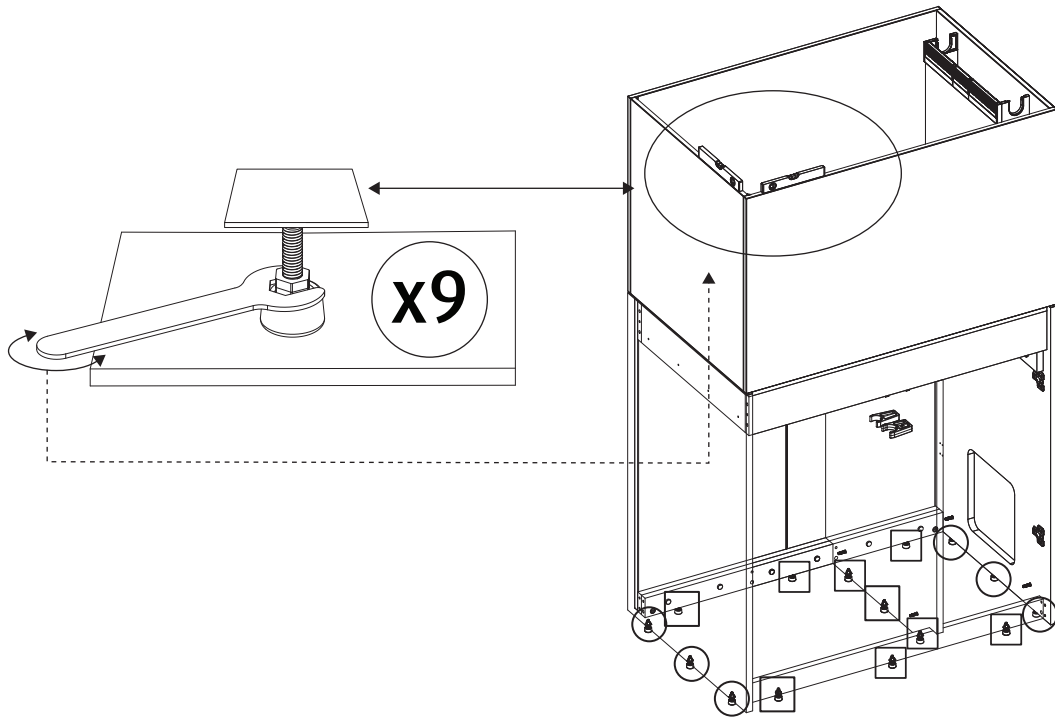


37



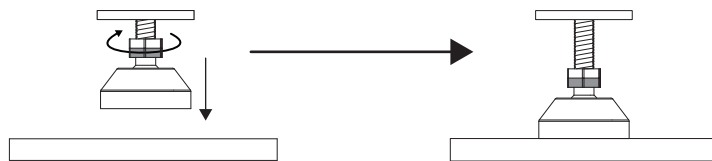
38

A



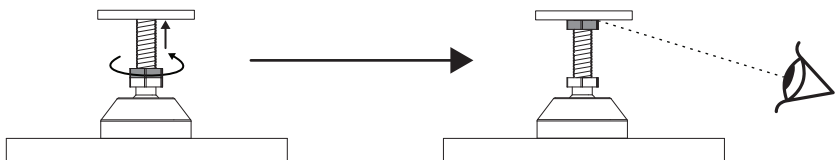
B

x6

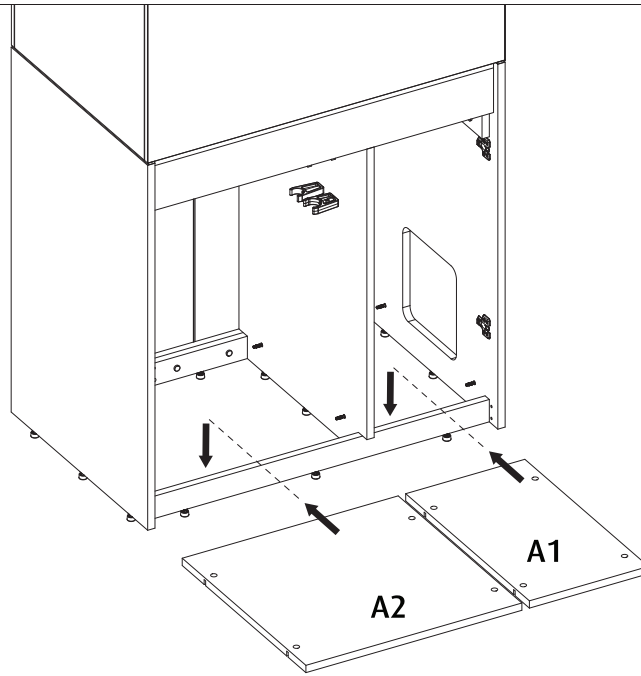


C

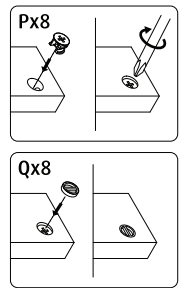
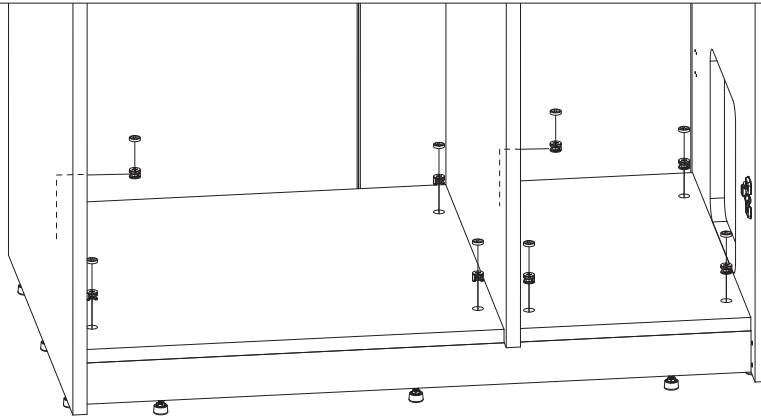
x12



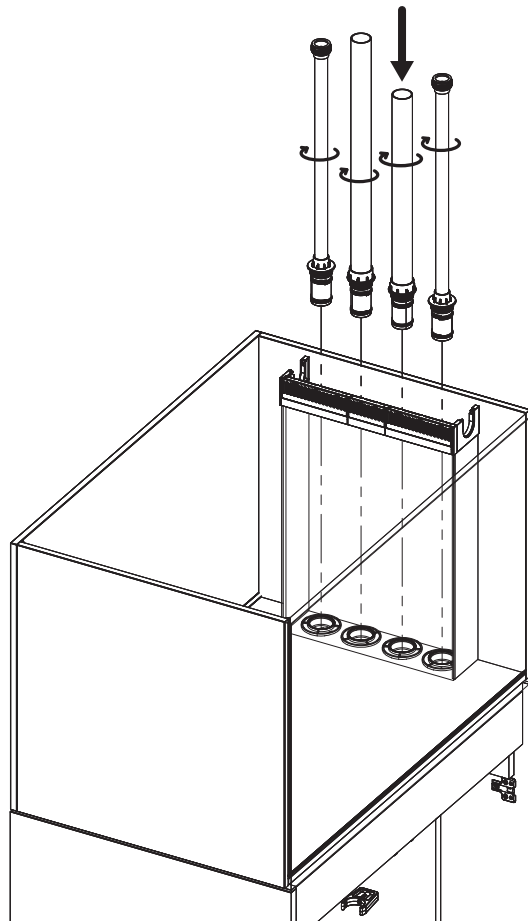
39



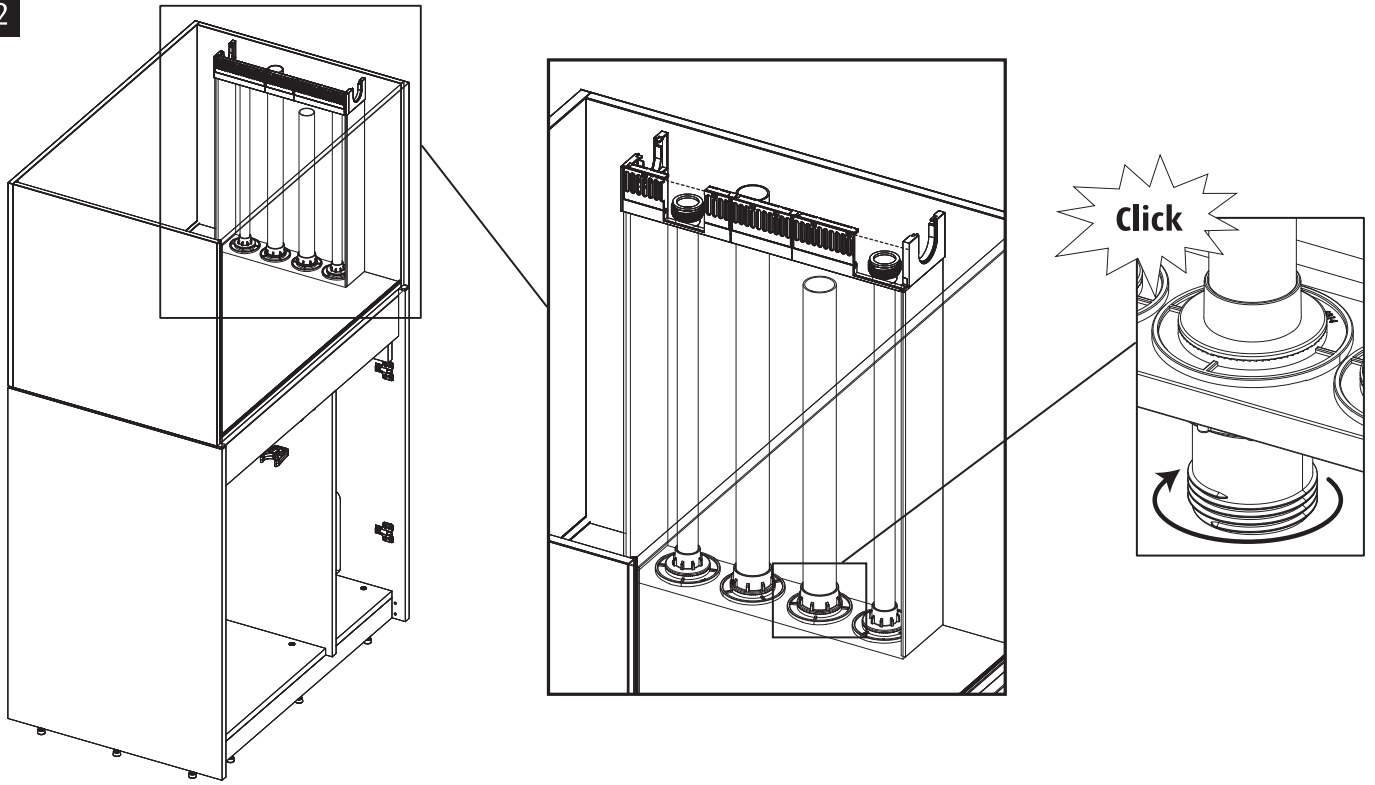
40



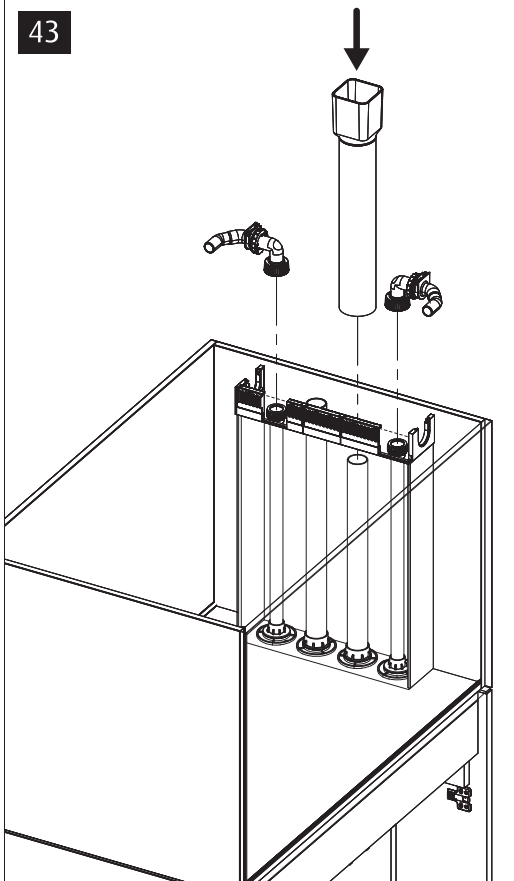
41



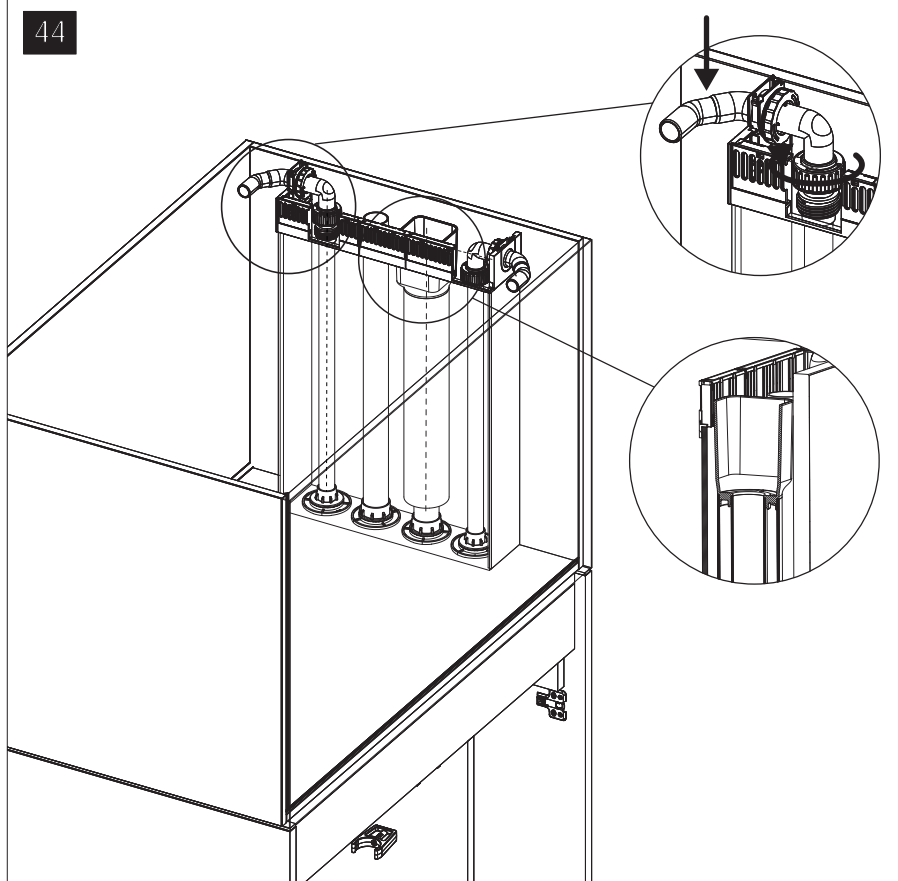
42



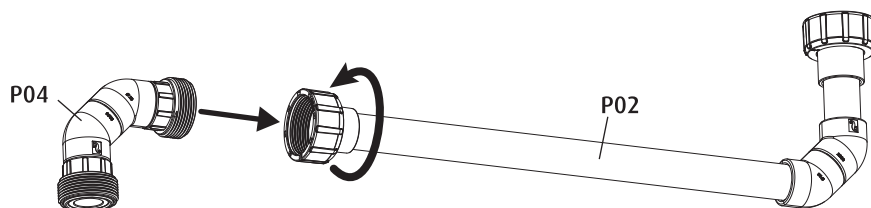
43



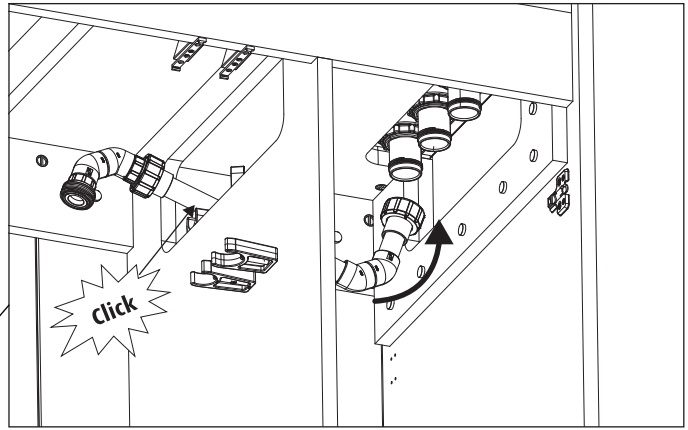
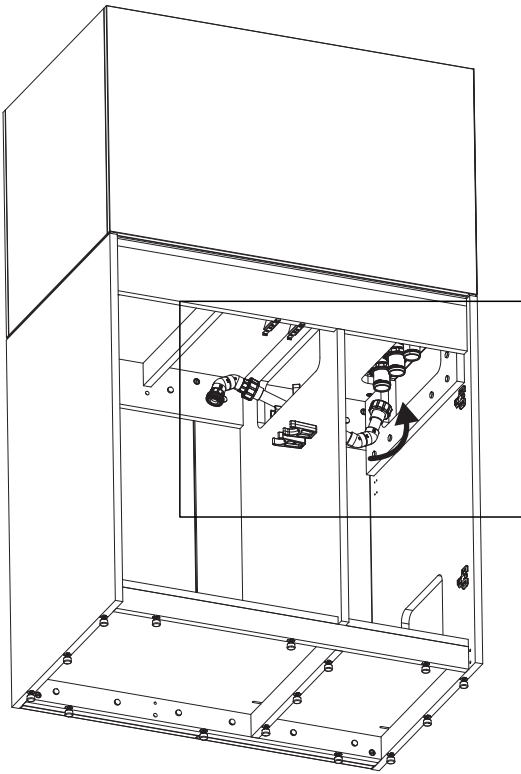
44



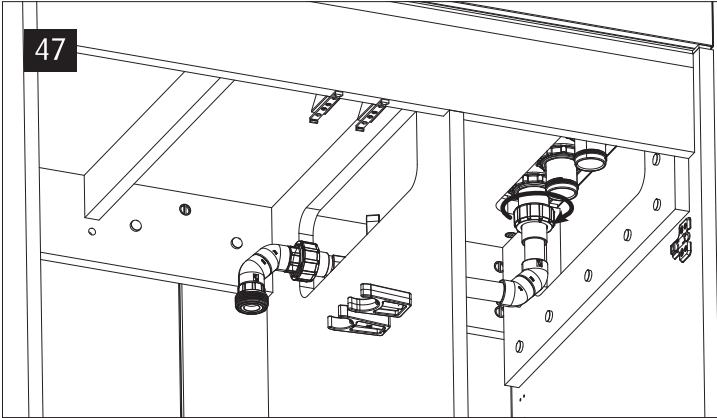
45



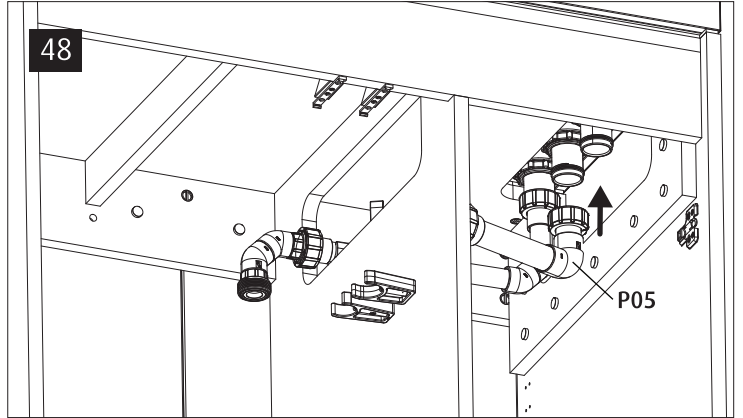
46



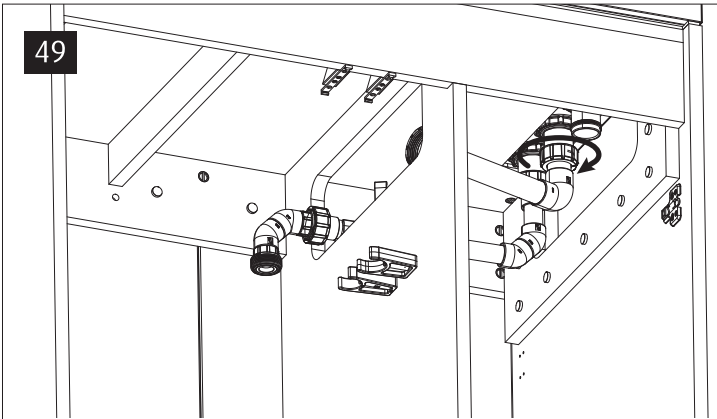
47



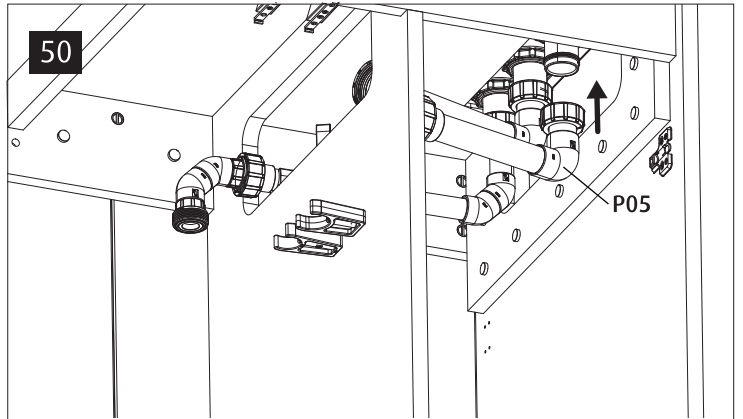
48



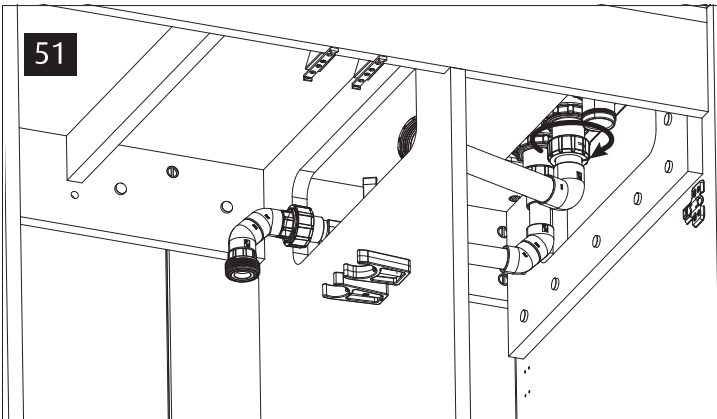
49



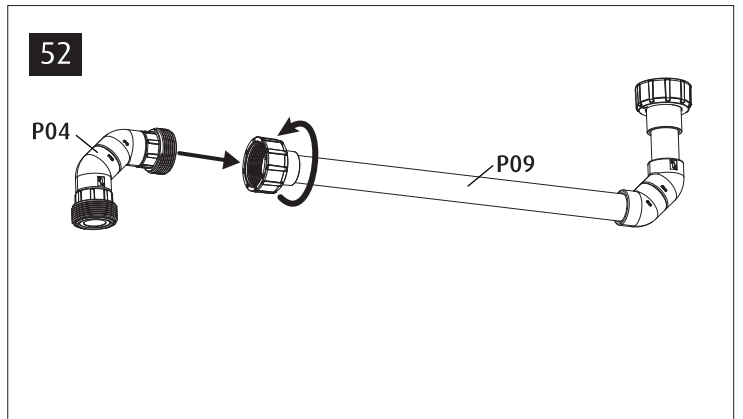
50

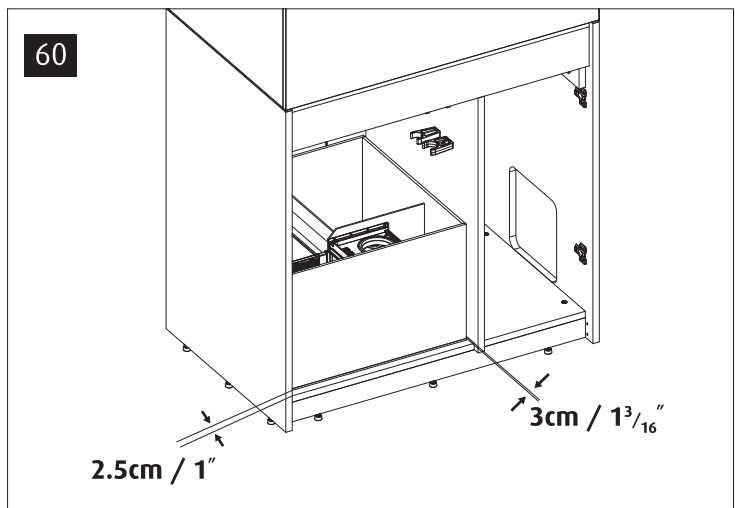
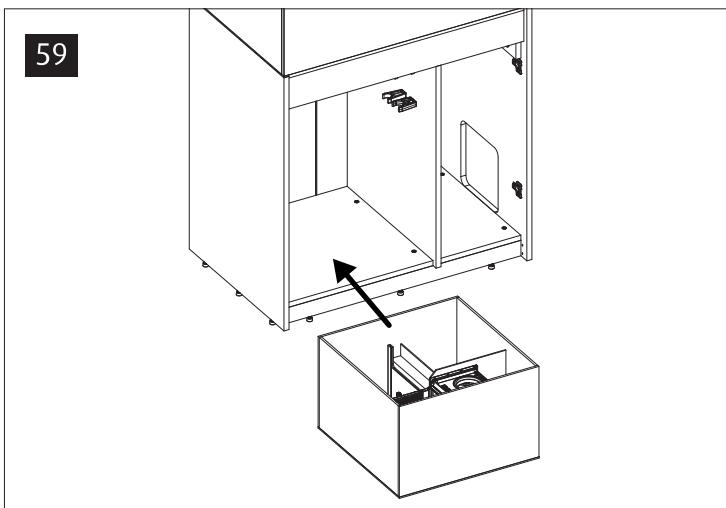
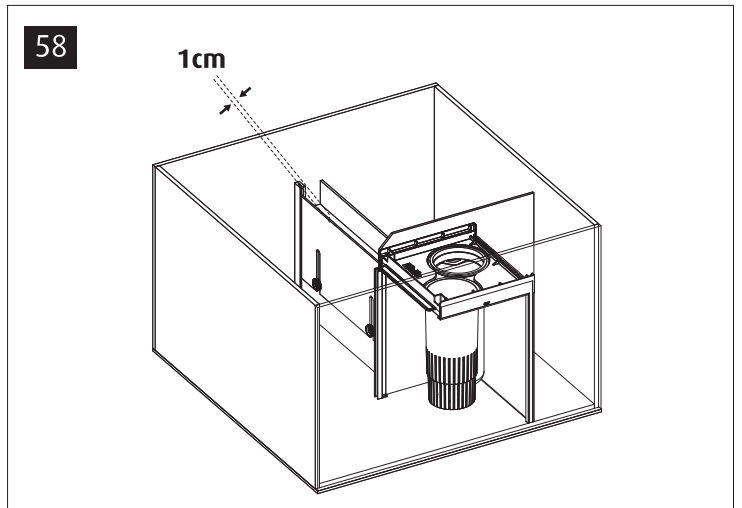
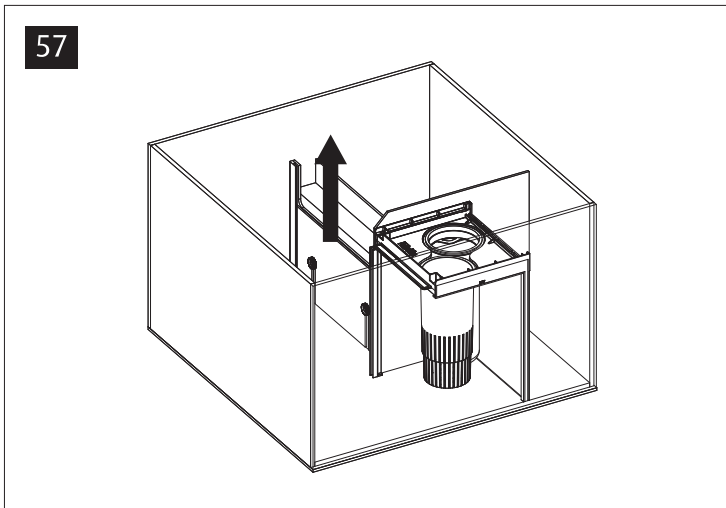
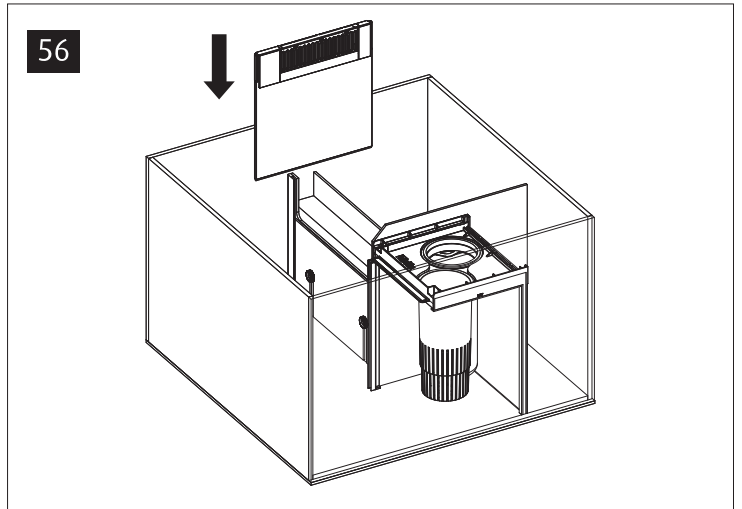
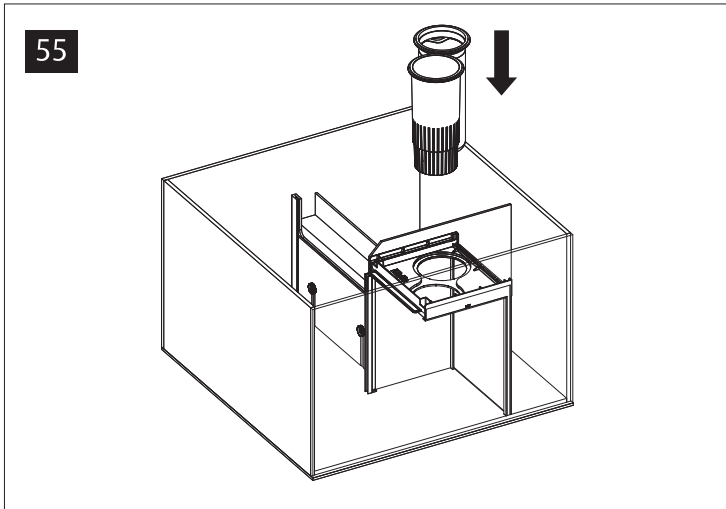
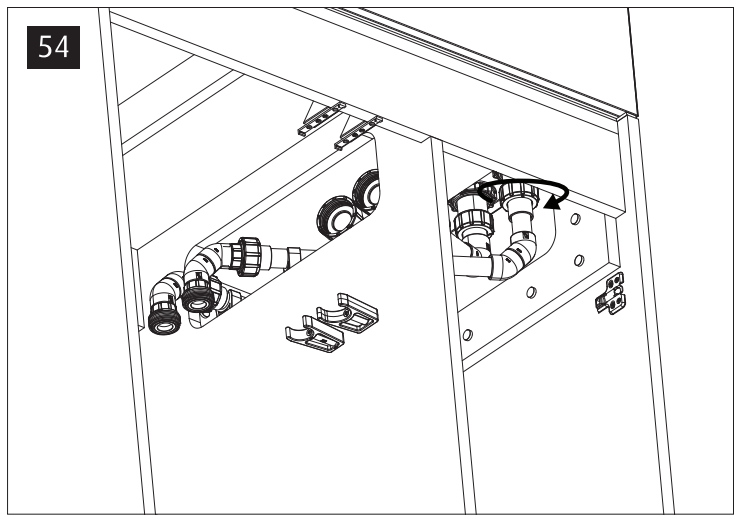
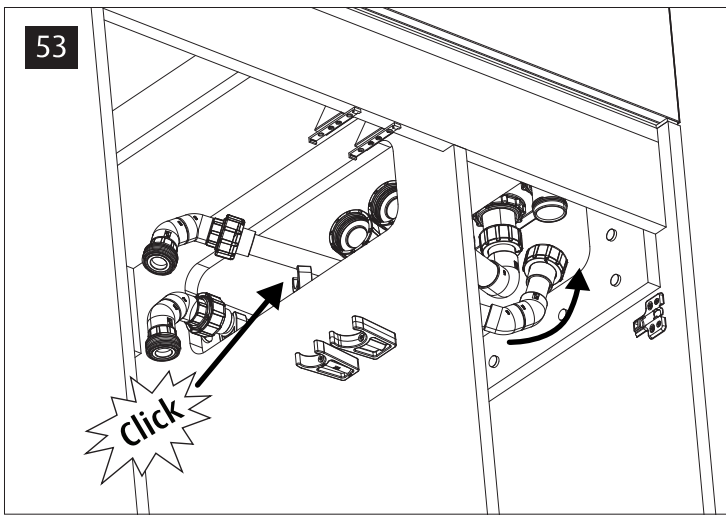


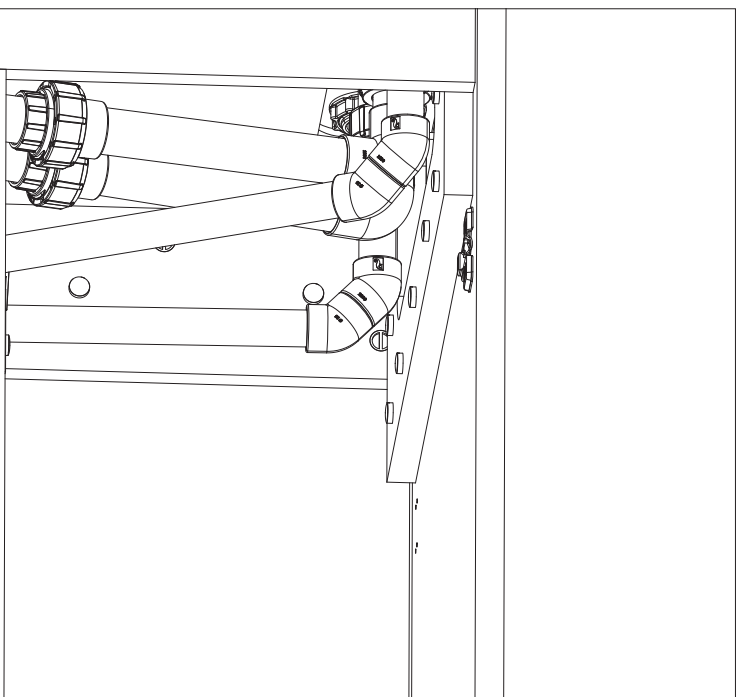
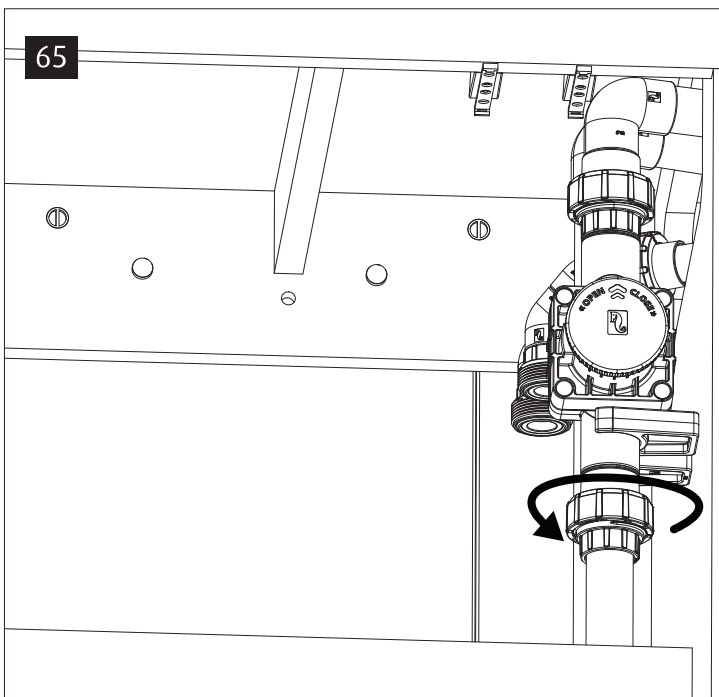
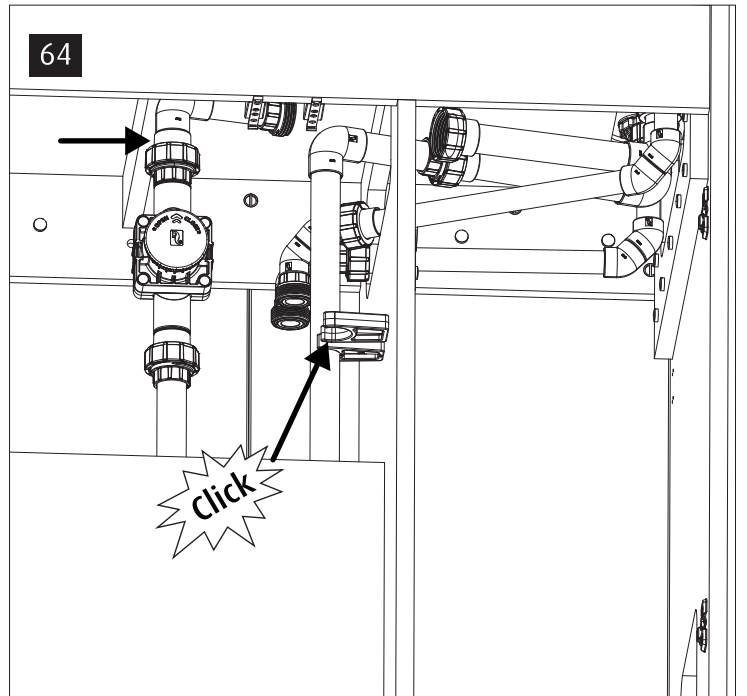
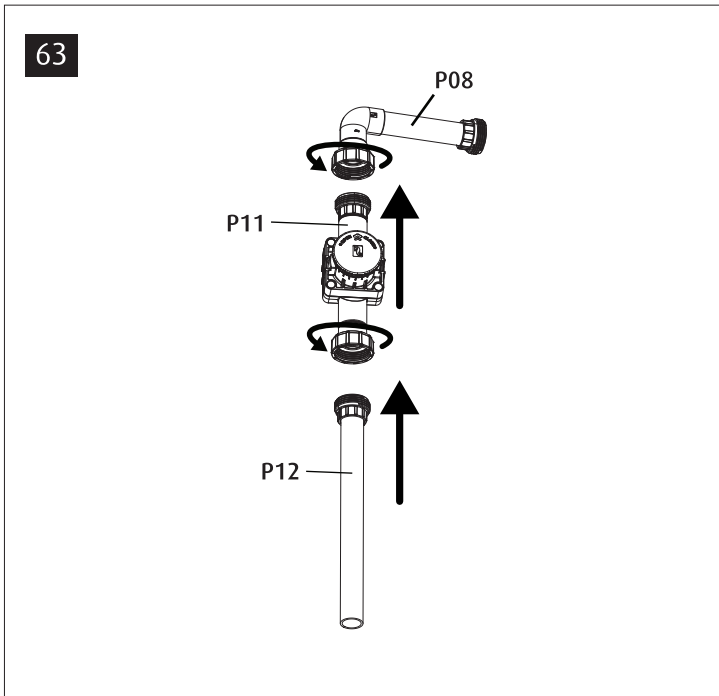
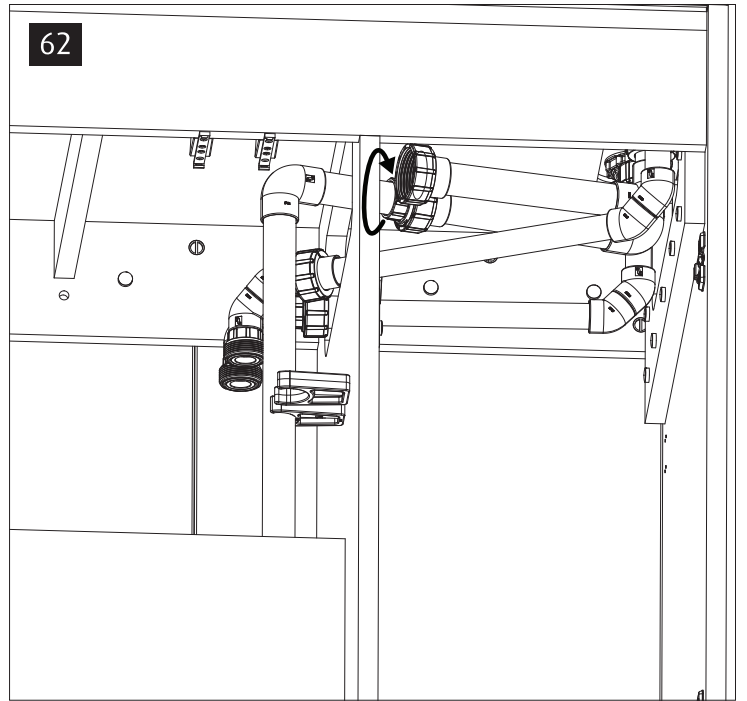
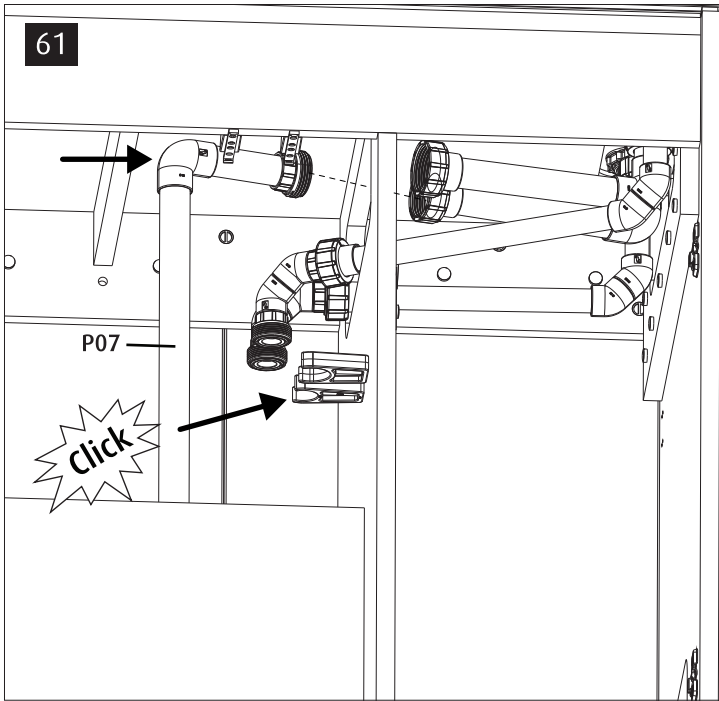
51



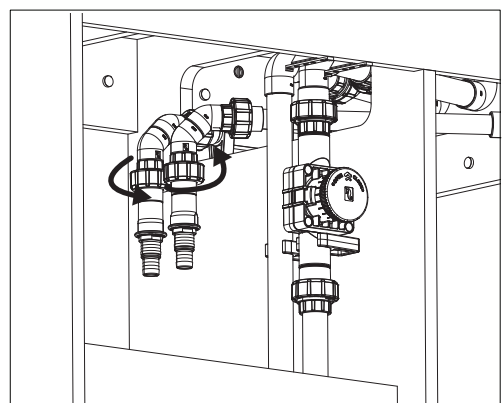
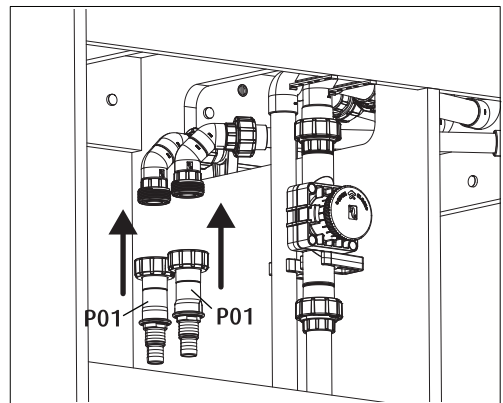
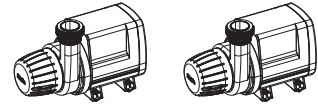
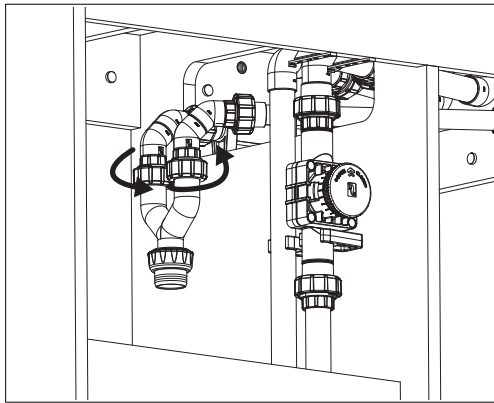
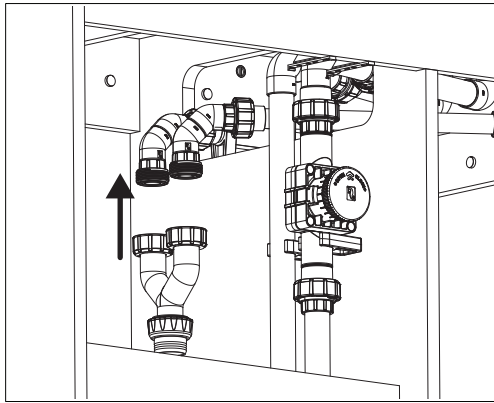
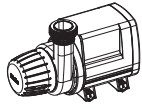
52



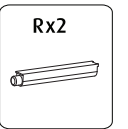
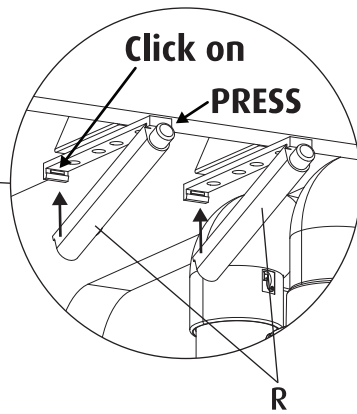
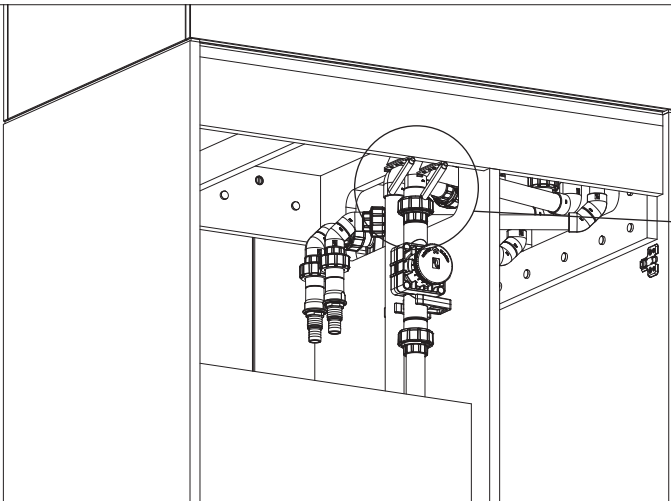




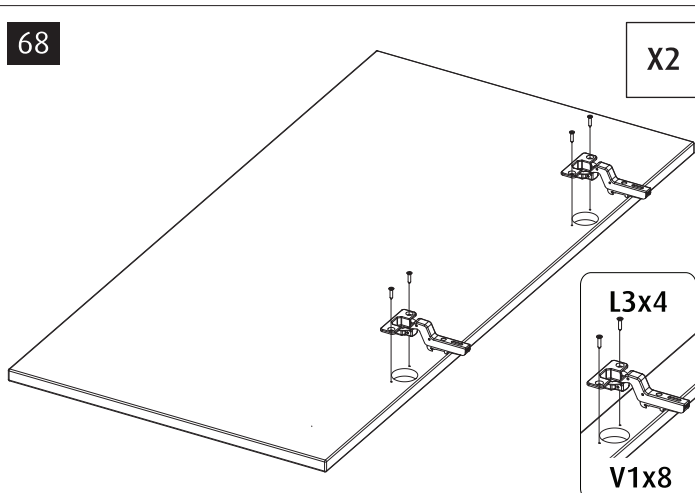
66



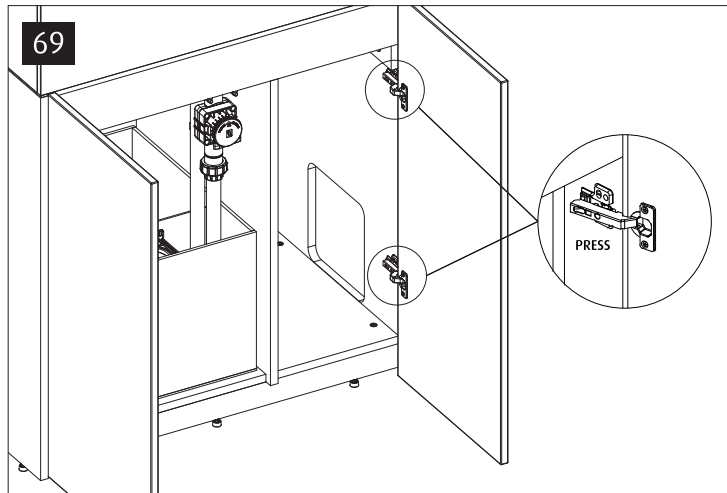
67

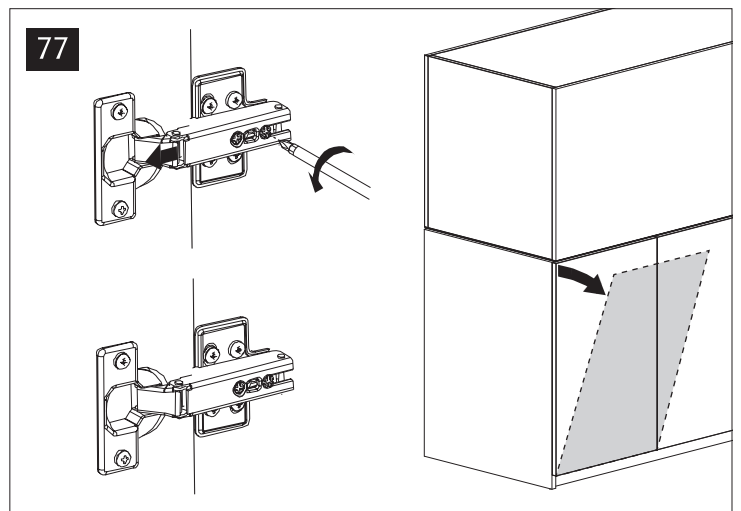
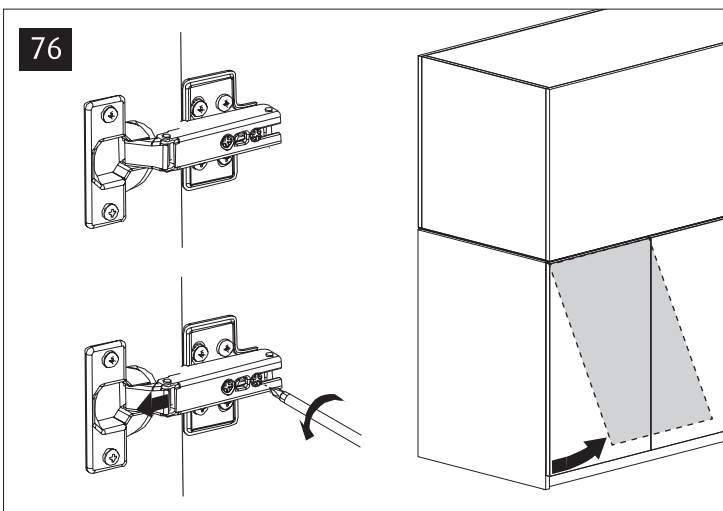
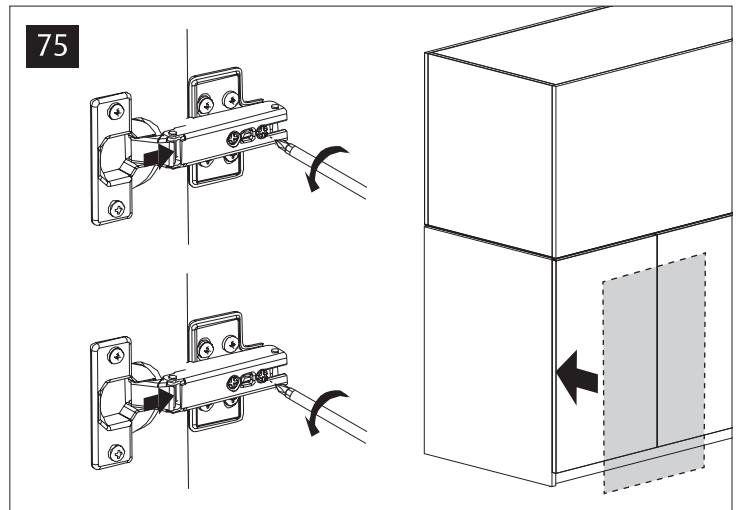
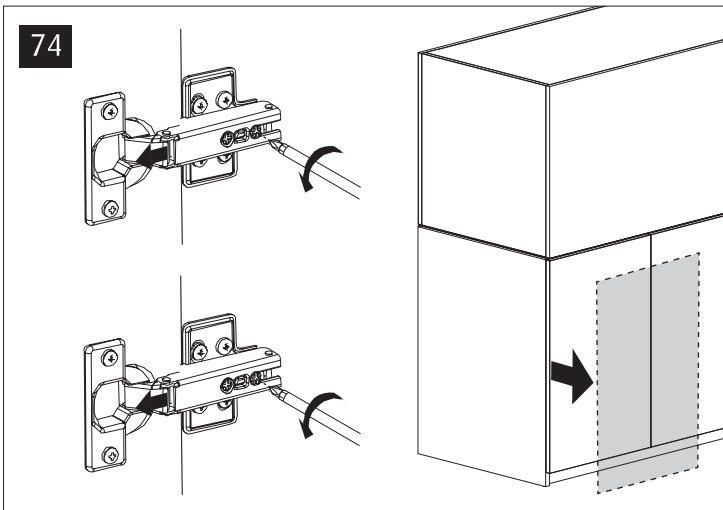
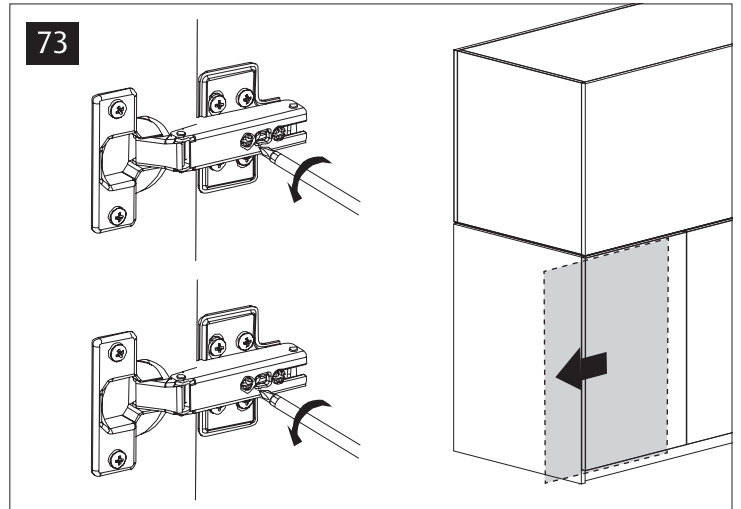
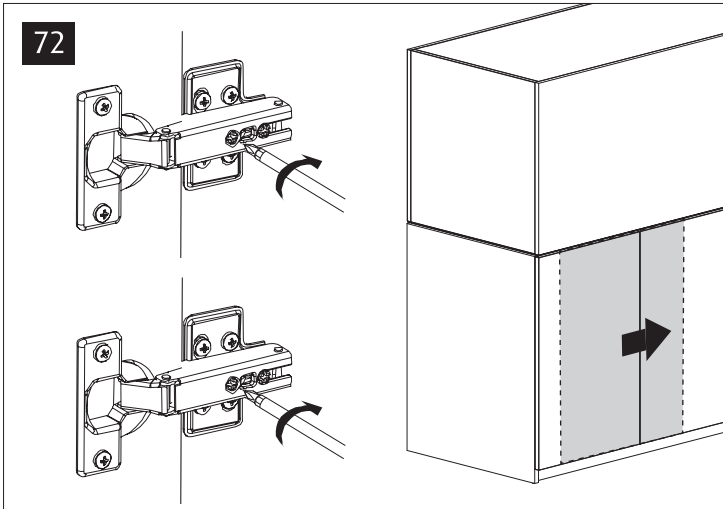
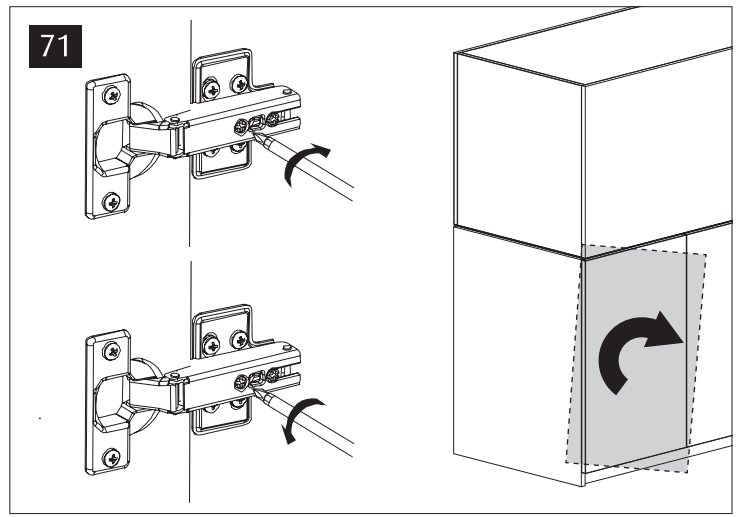
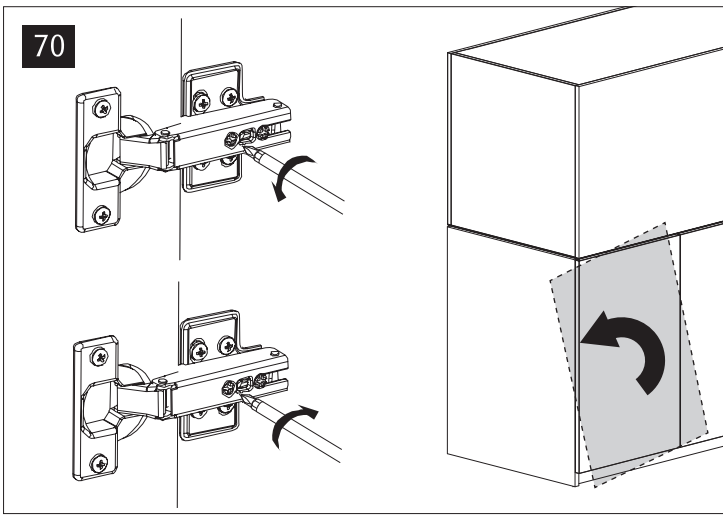


68

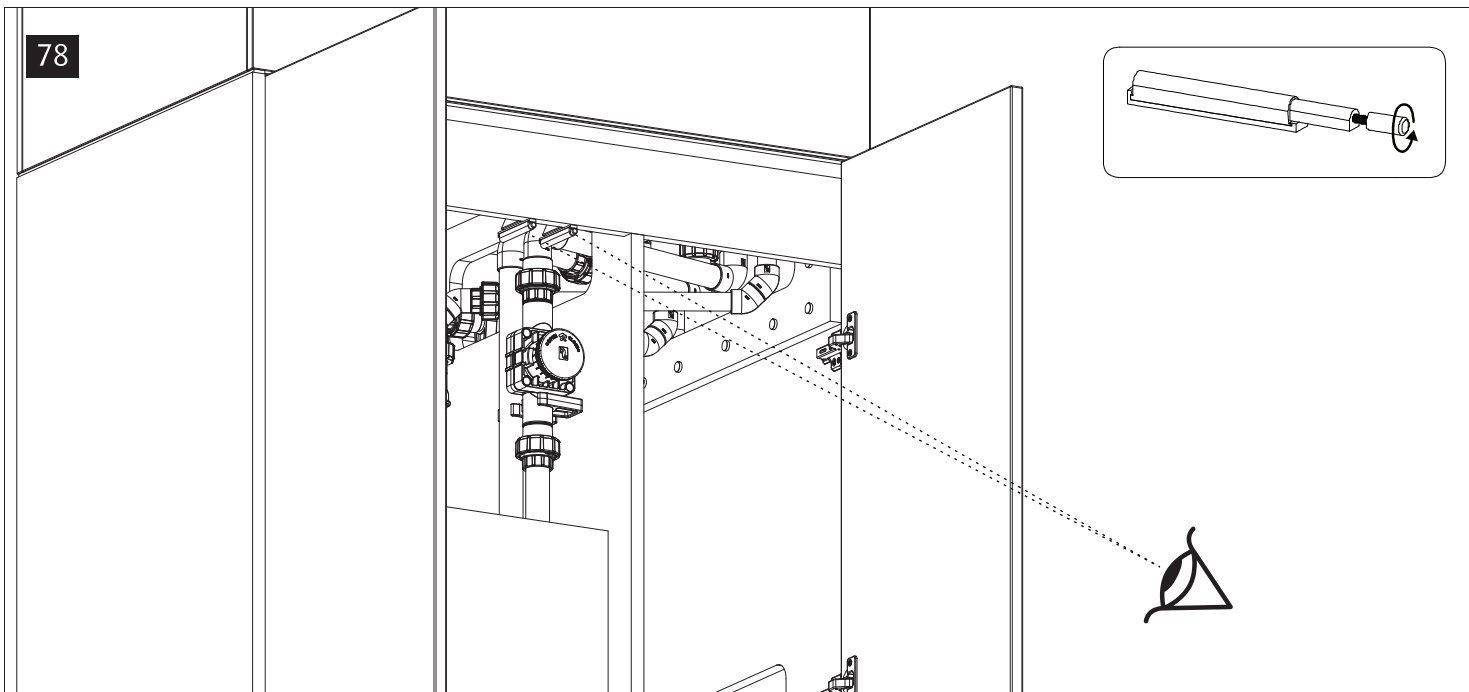


69

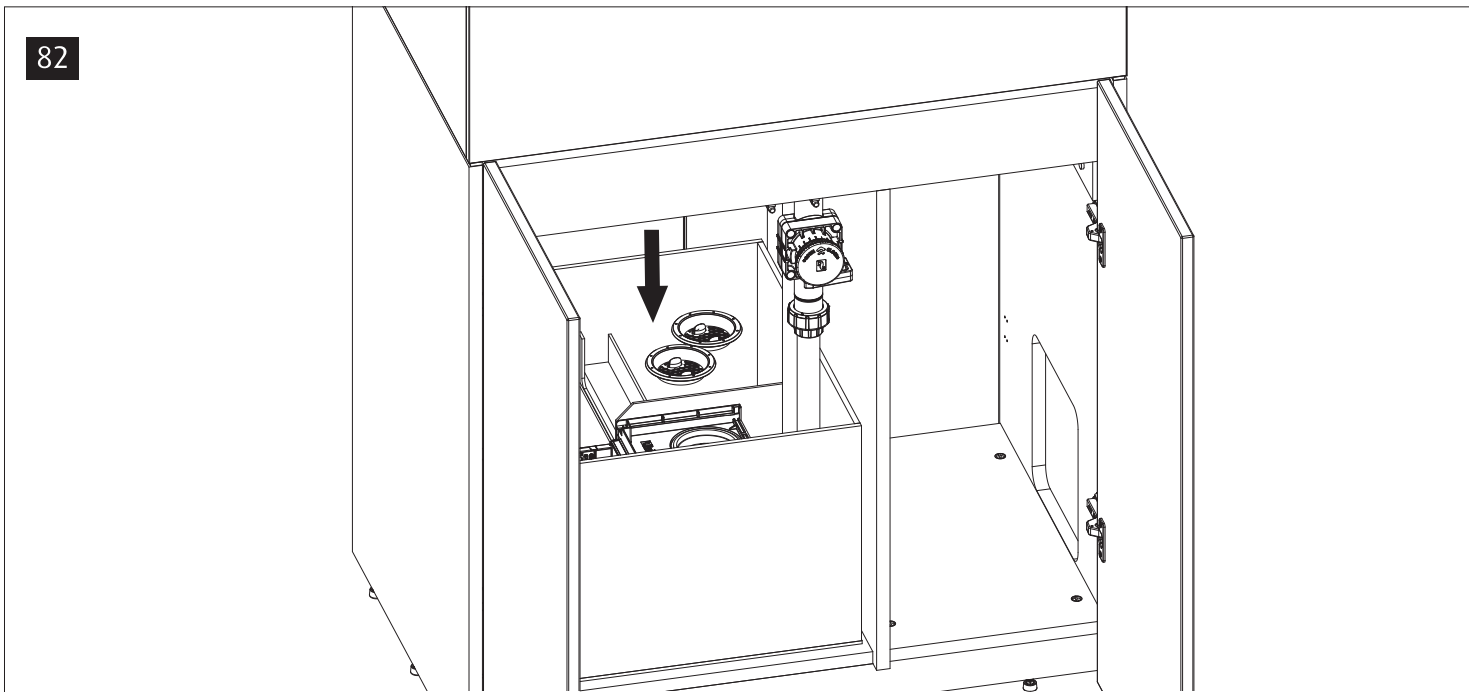




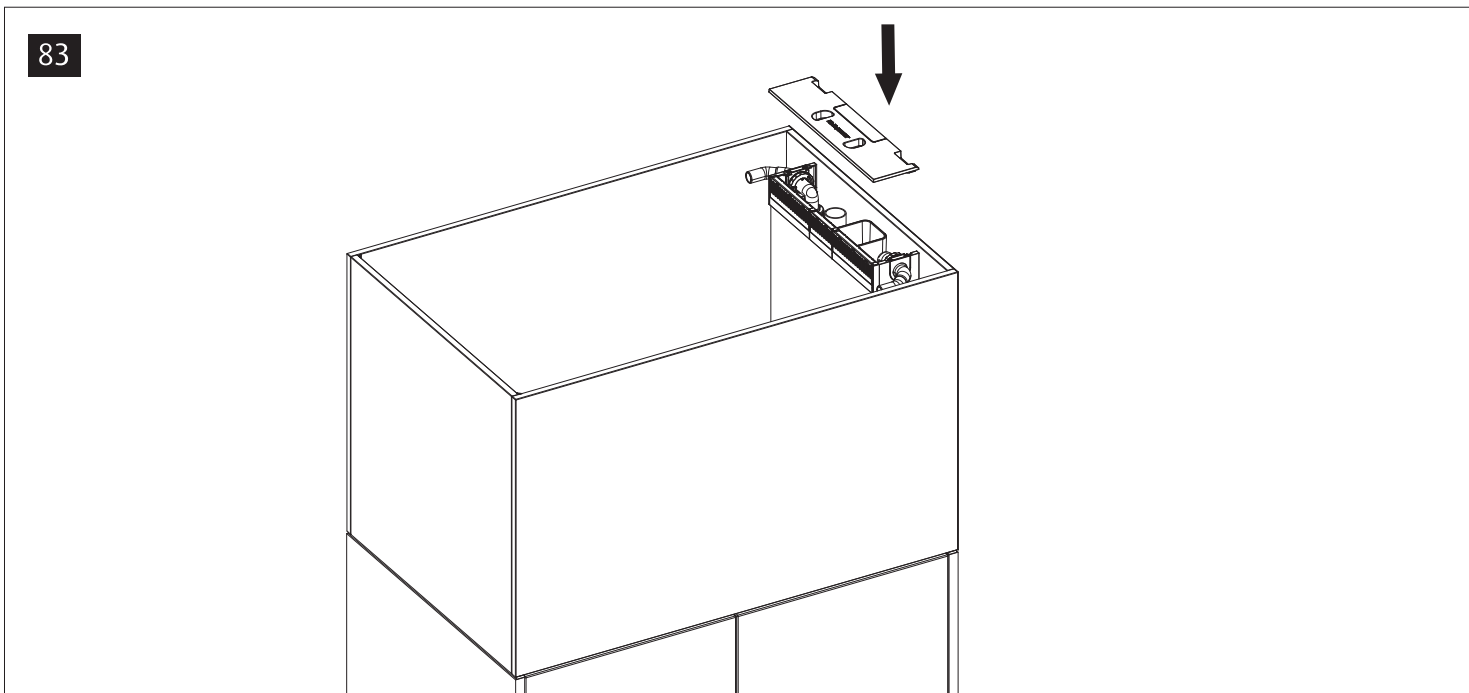
78



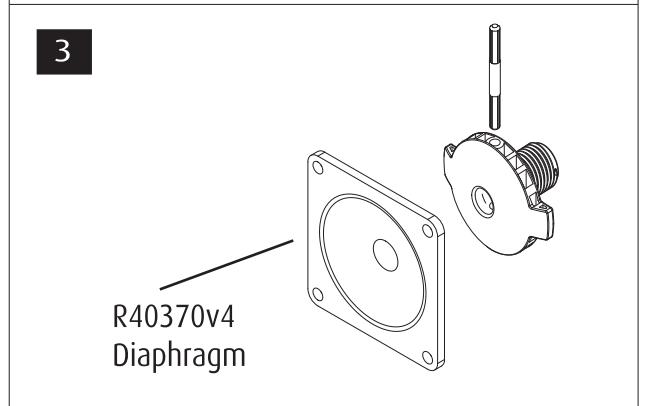
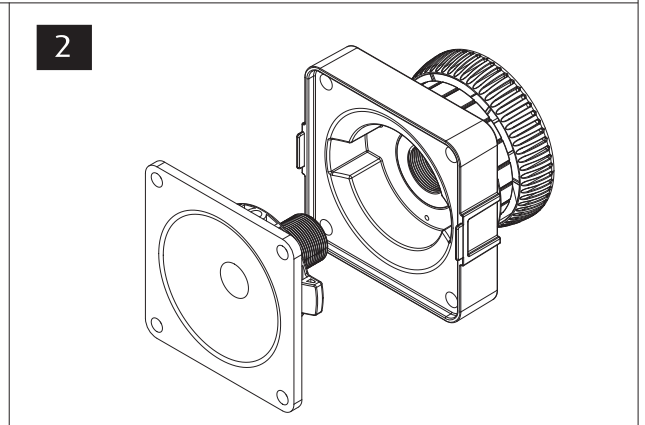
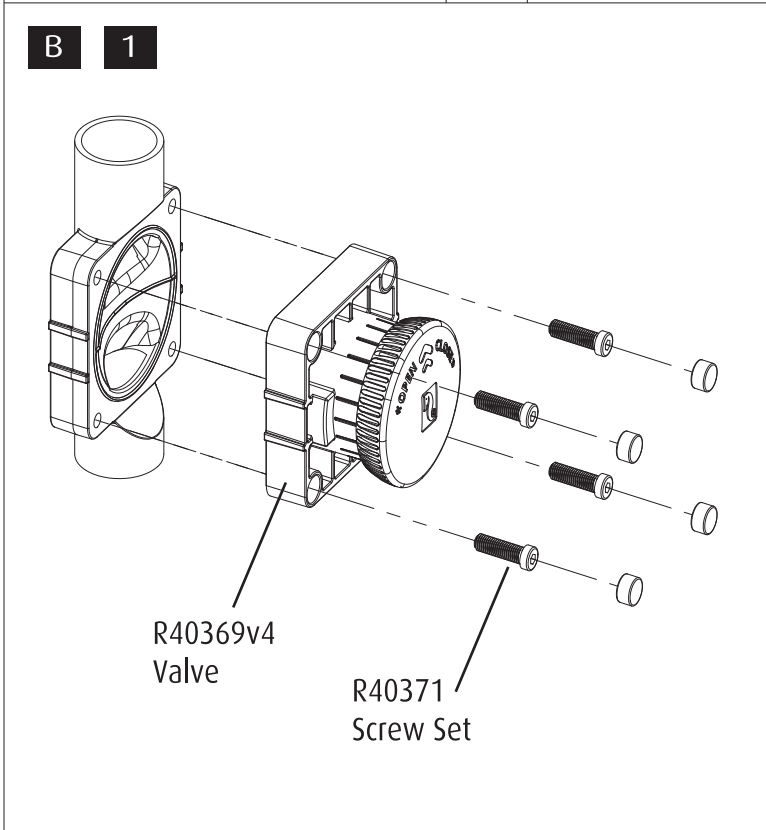
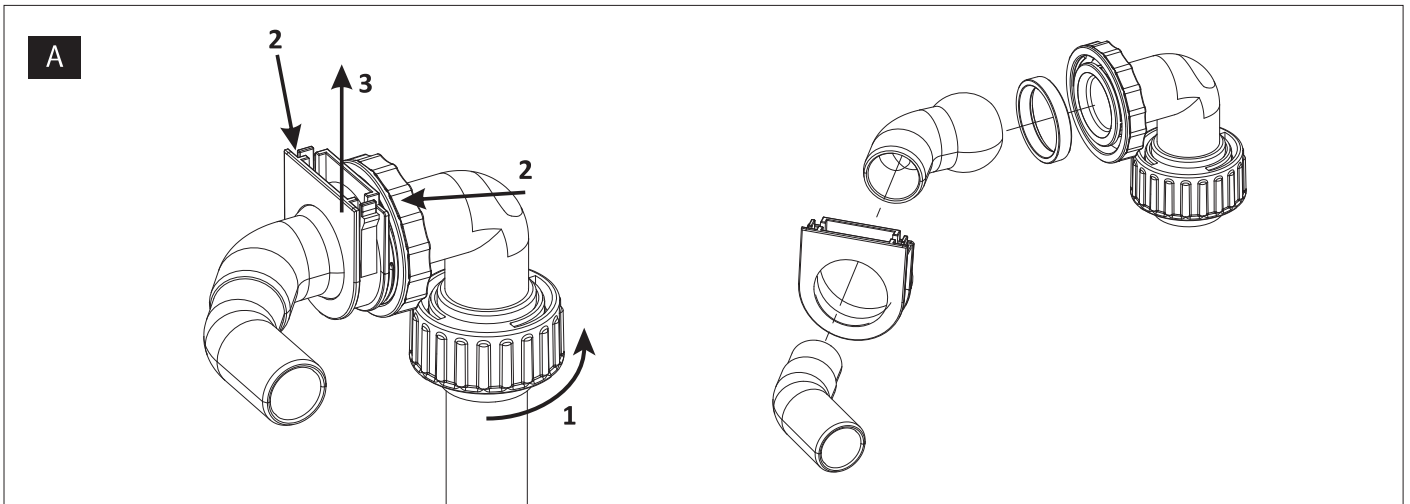
82



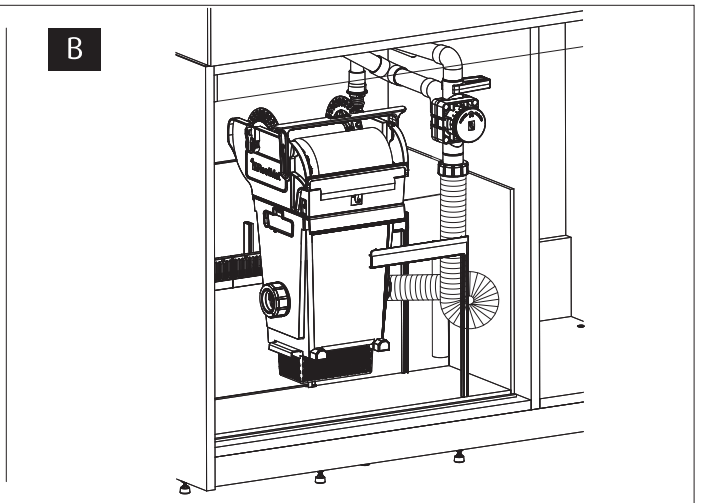
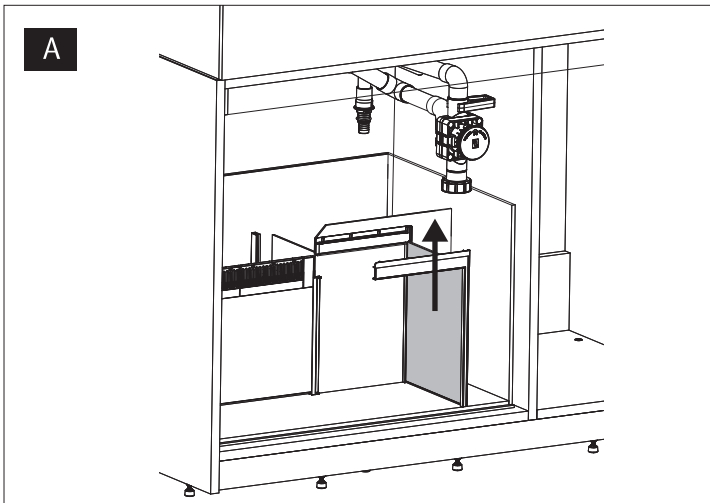
83



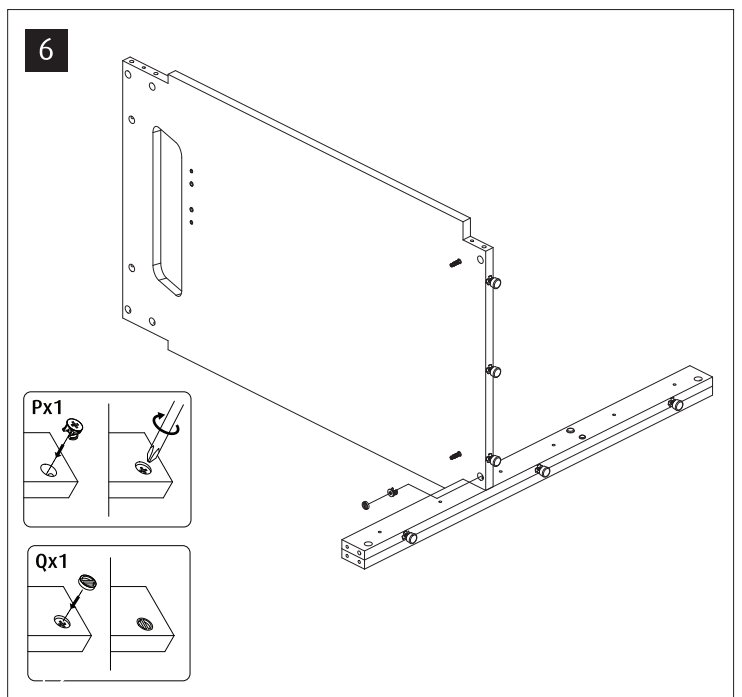
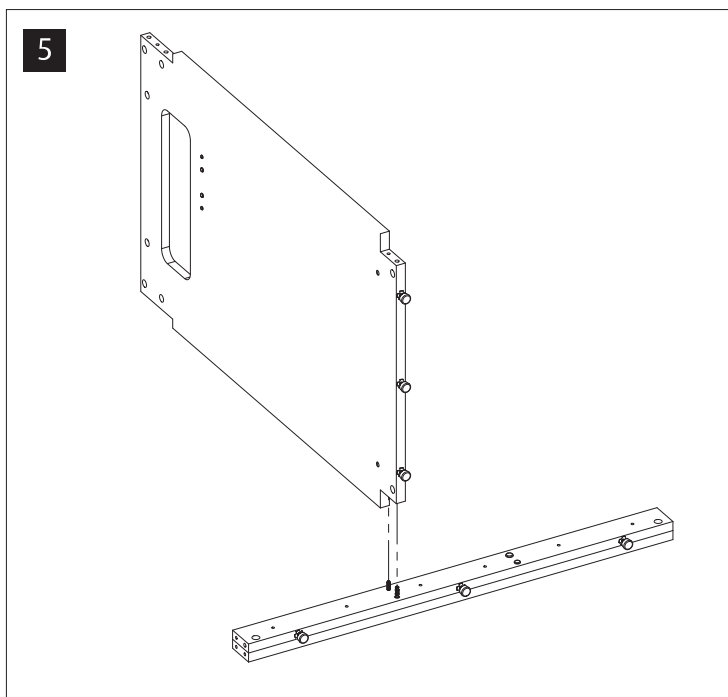
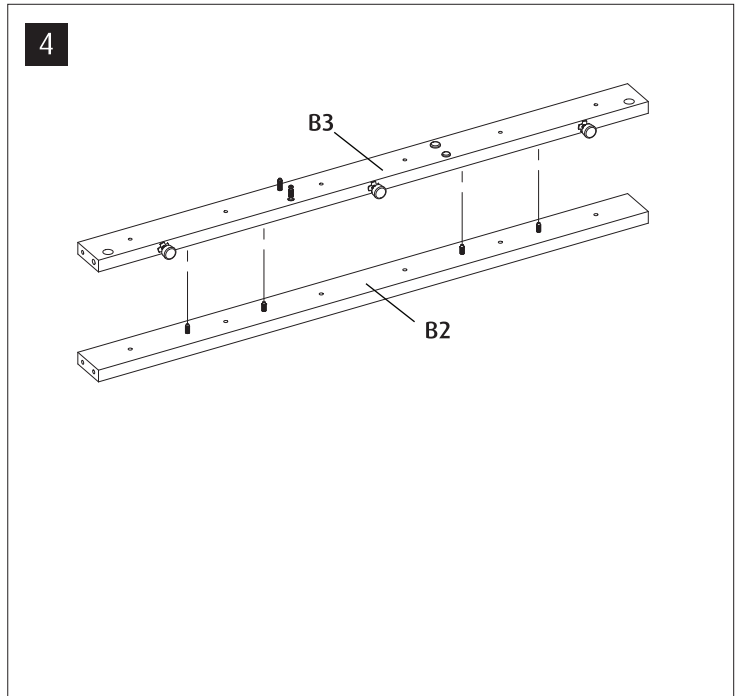
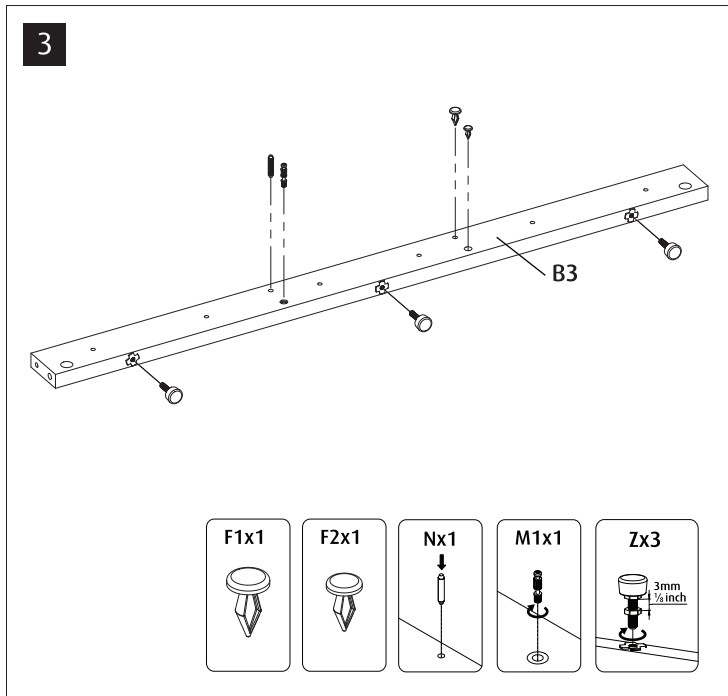
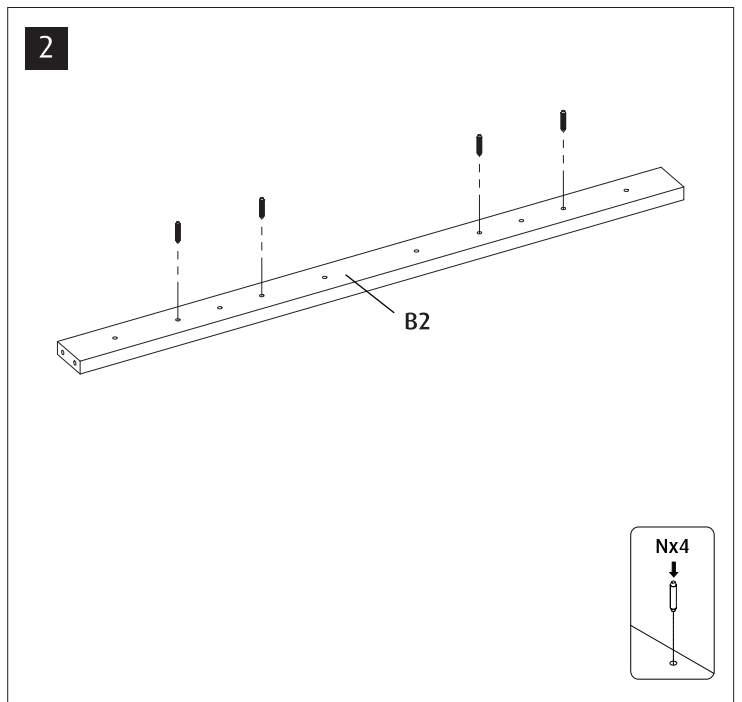
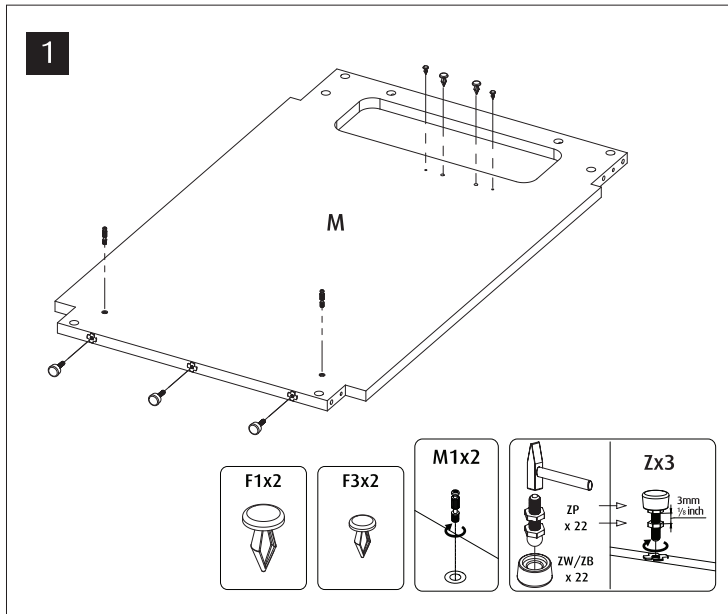
MAINTENANCE

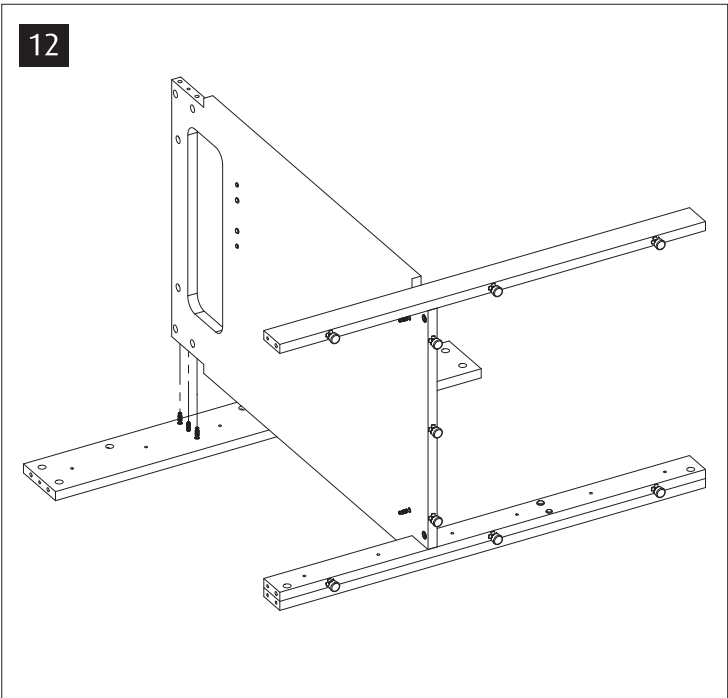
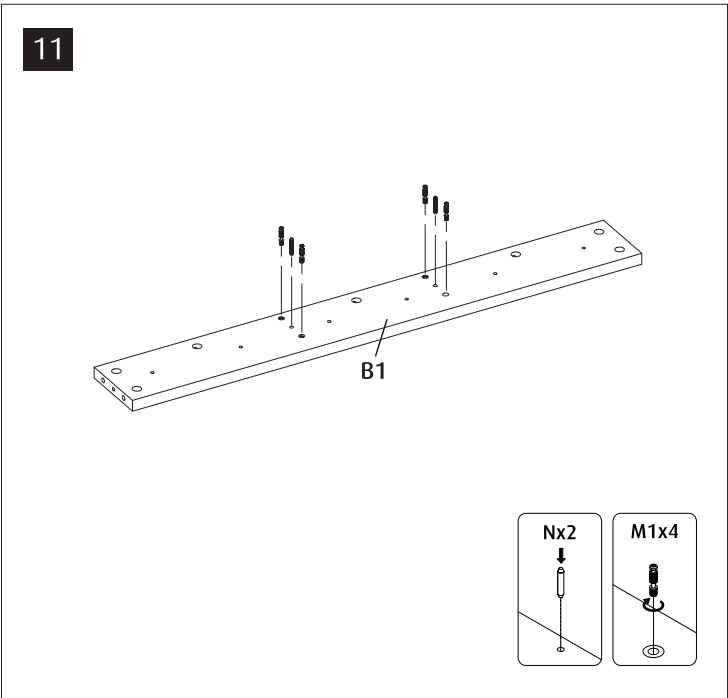
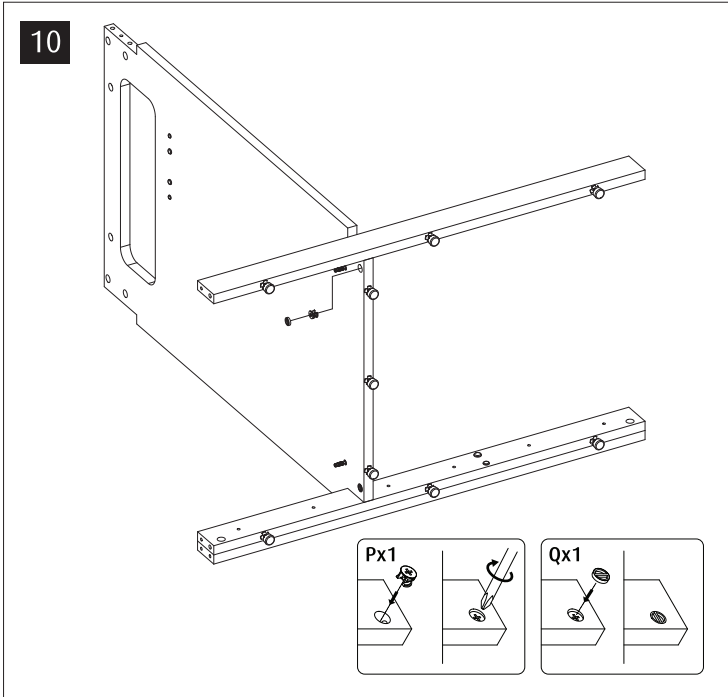
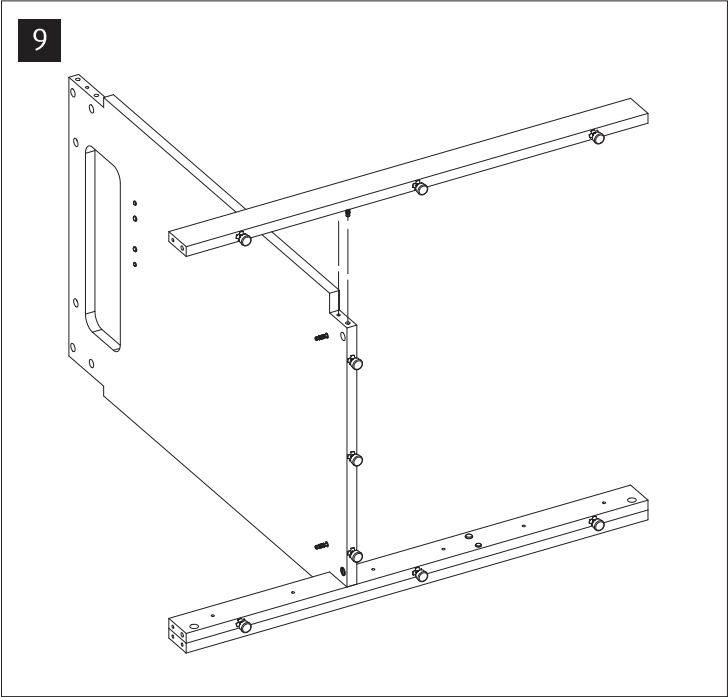
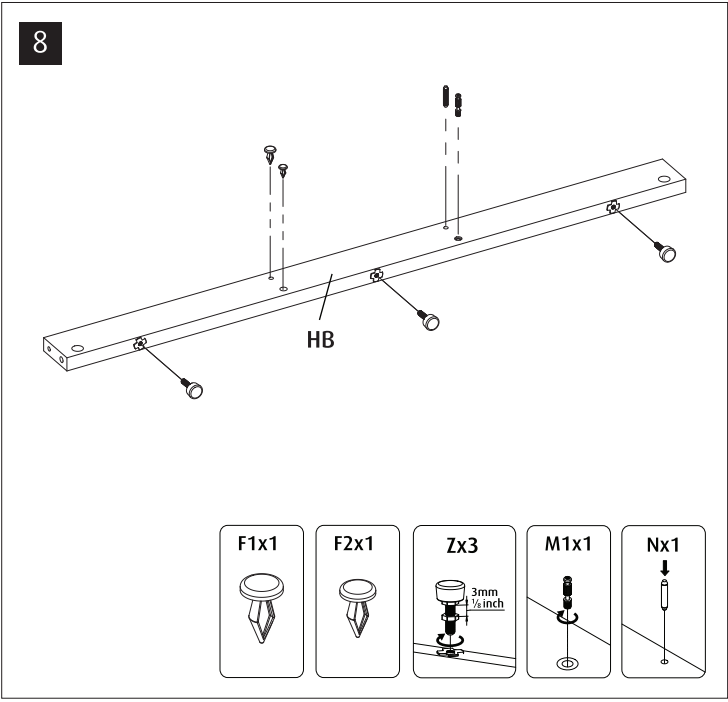
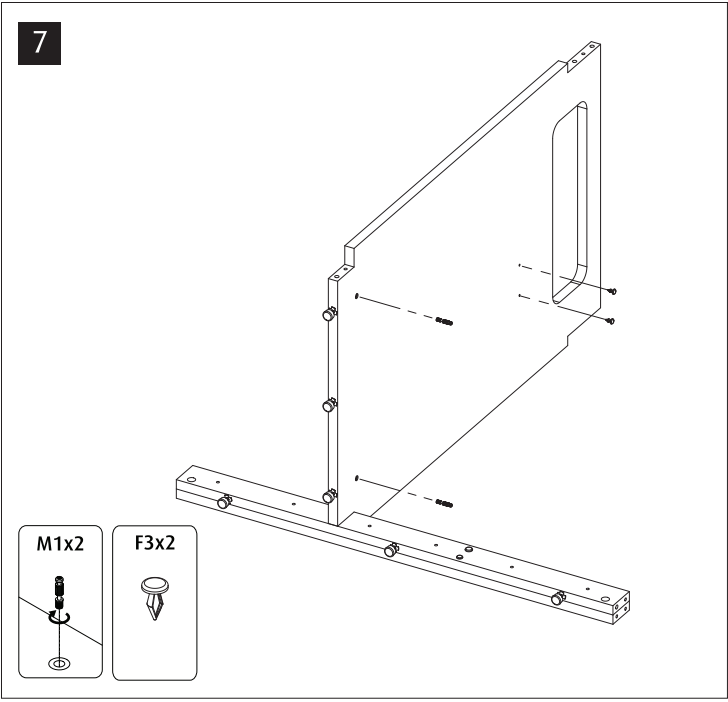


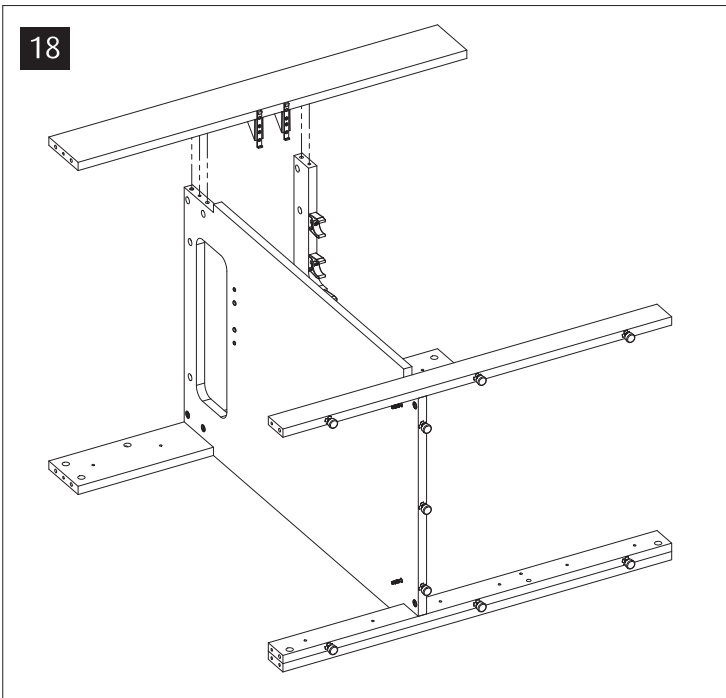
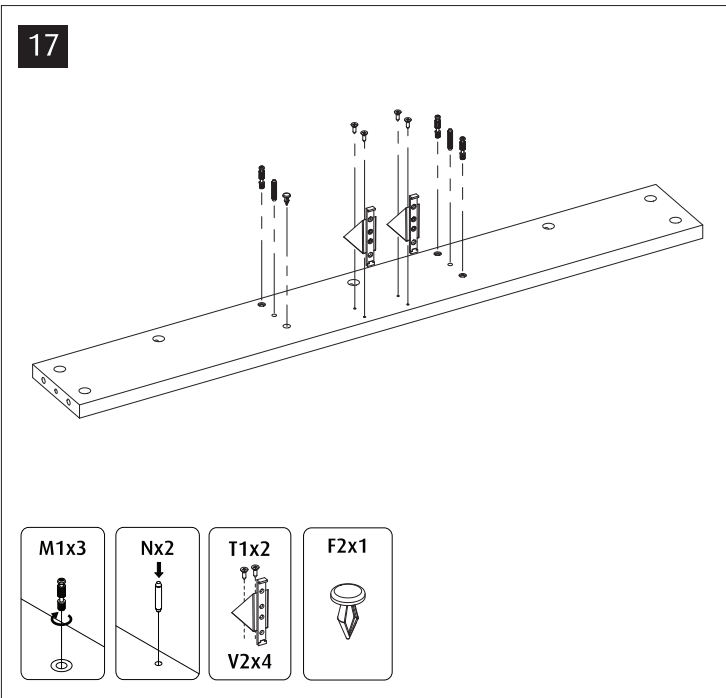
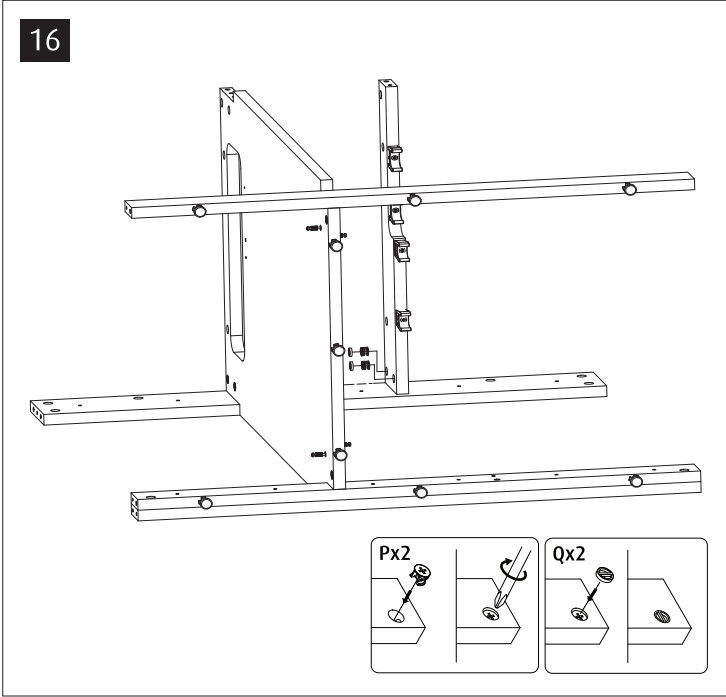
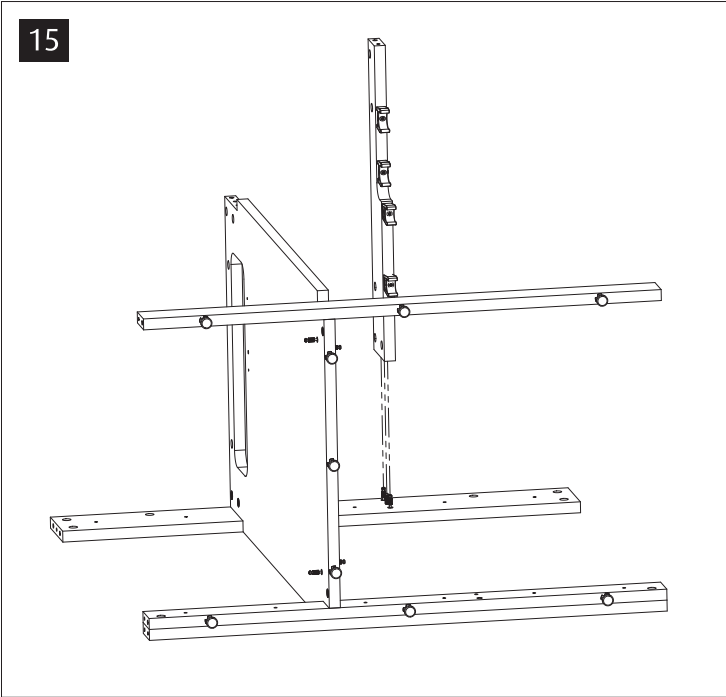
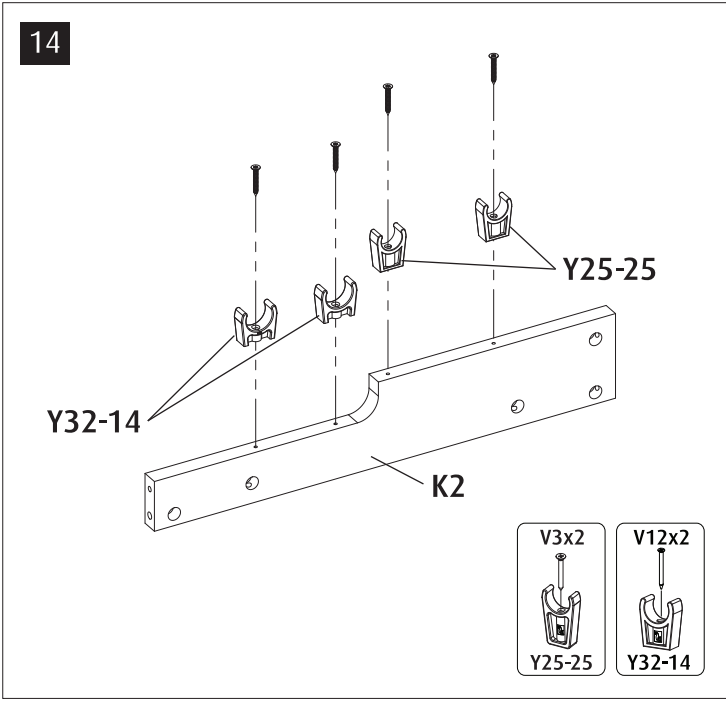
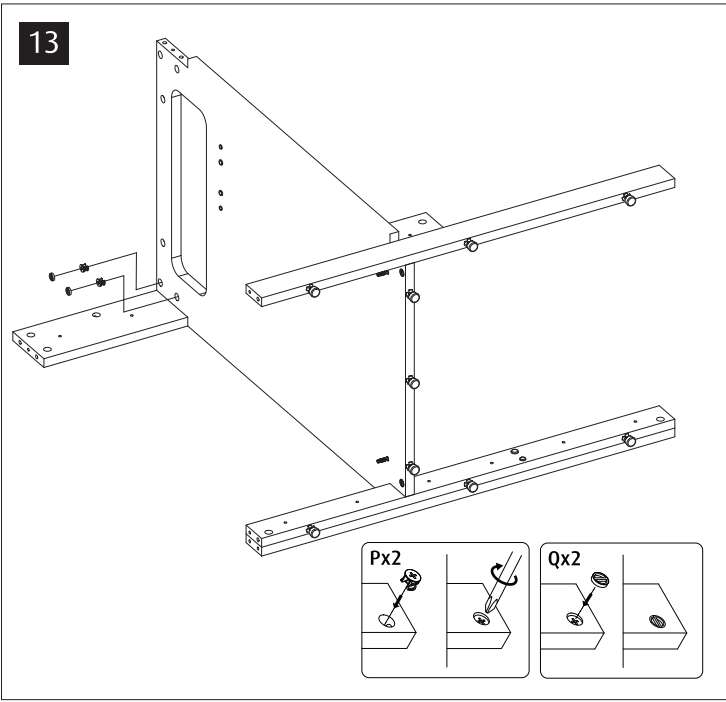
ReefMat®



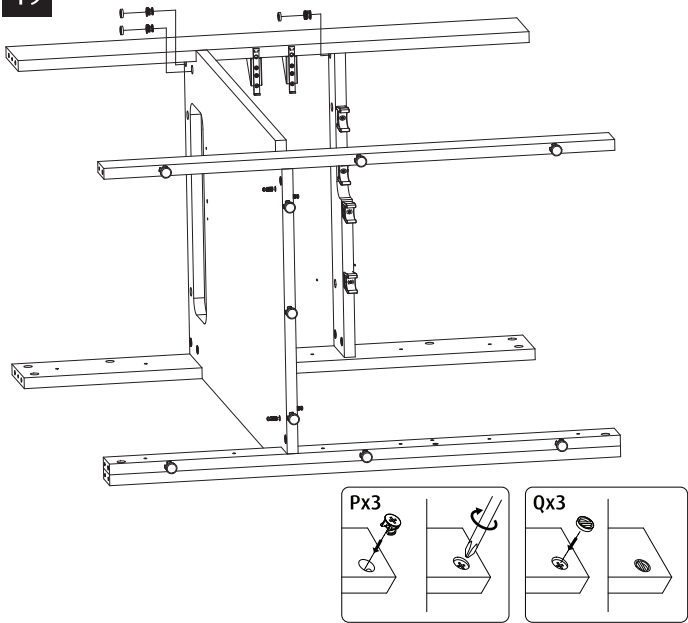
LEFT-SIDE Door instalation



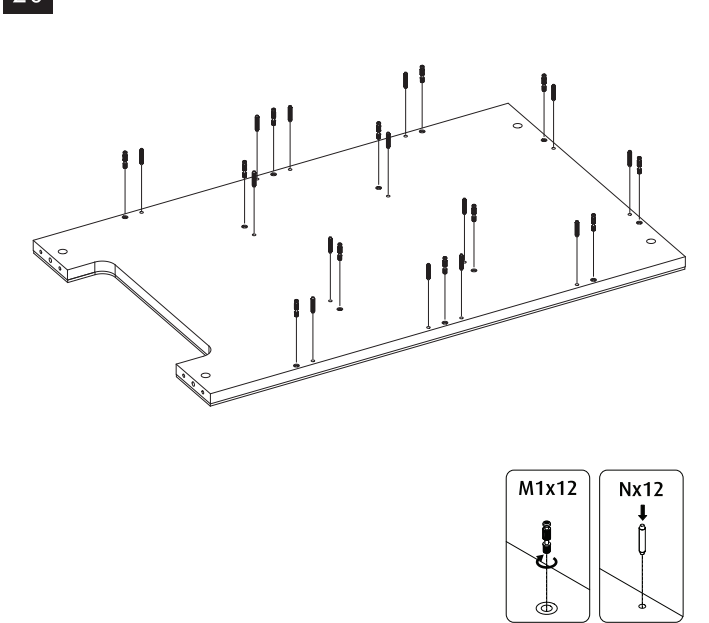




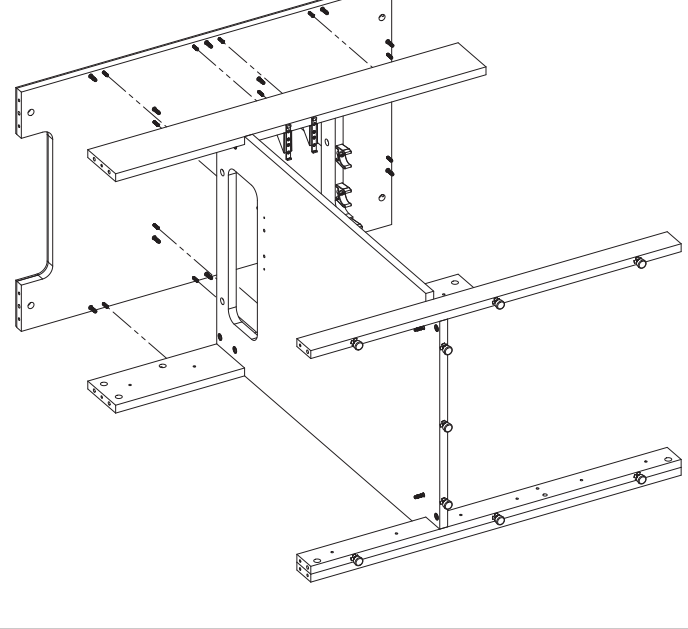
19



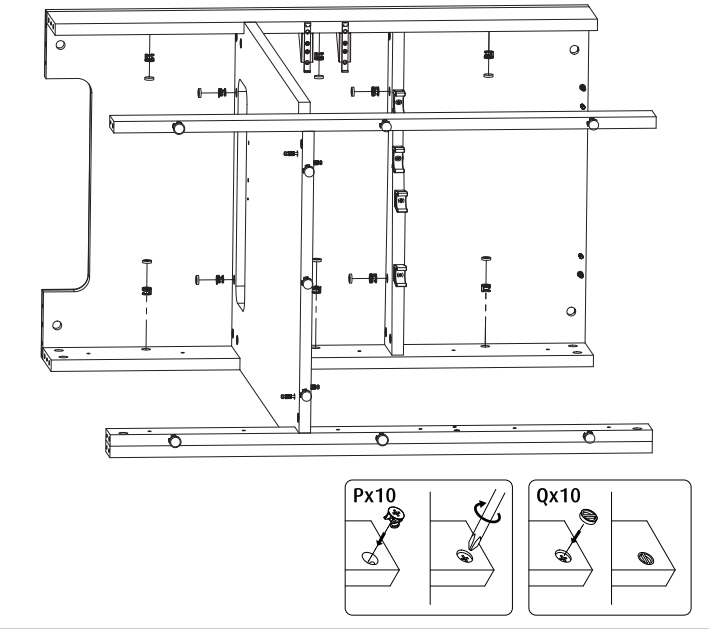
20



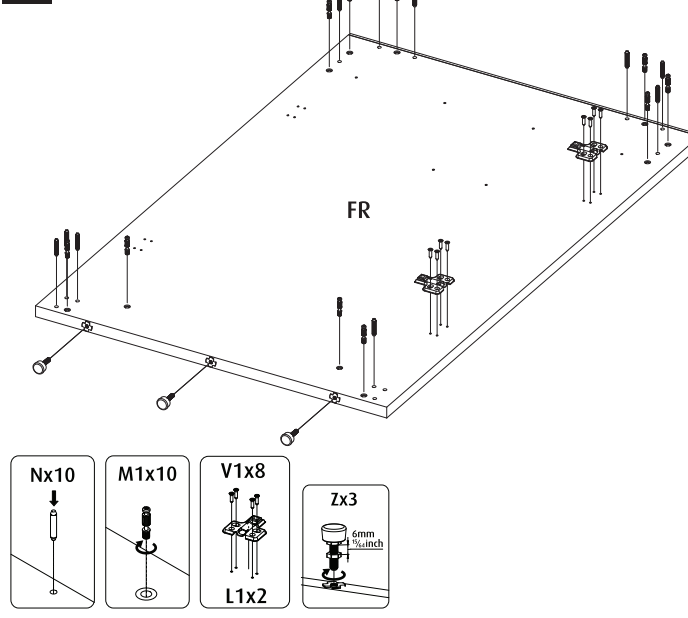
21



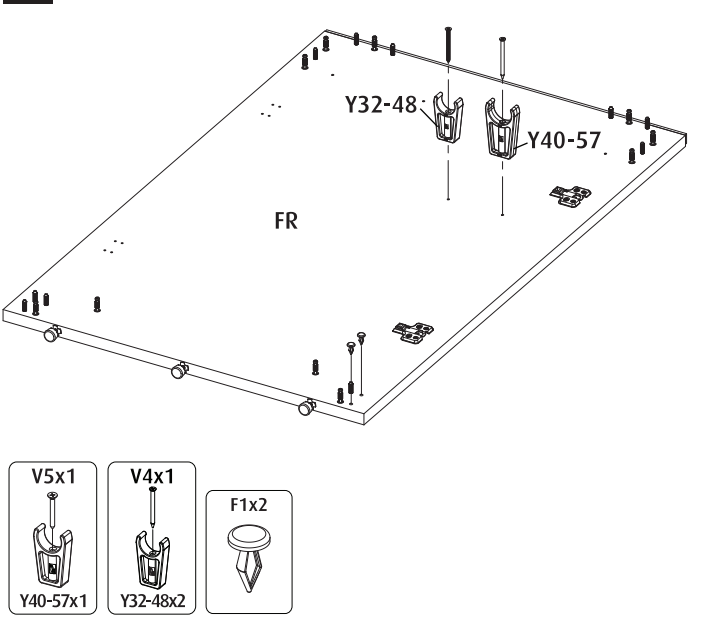
22



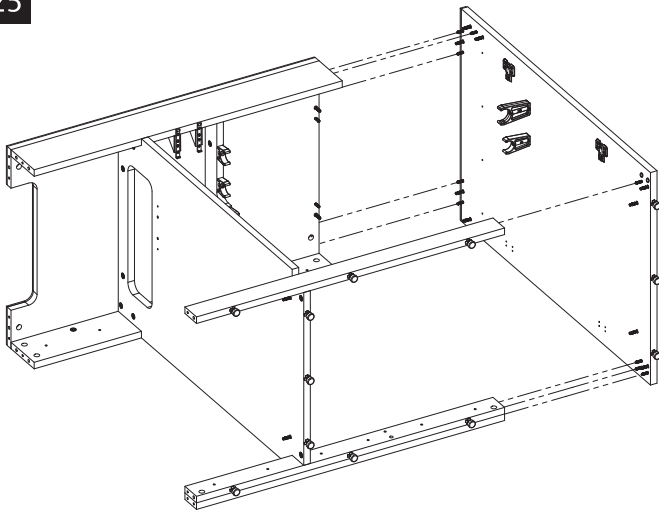
23



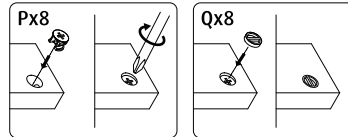
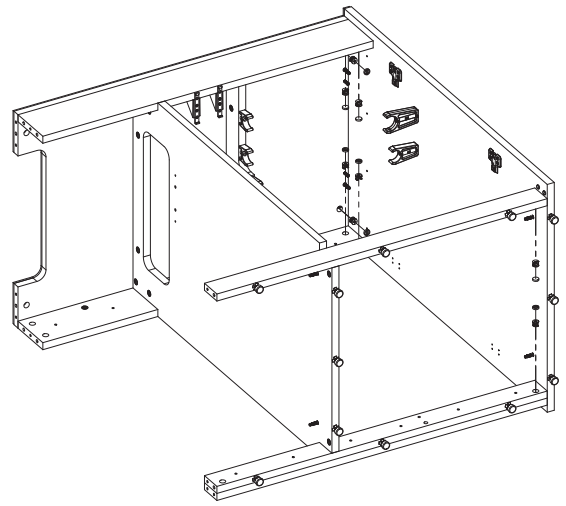
24



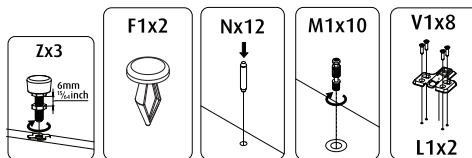
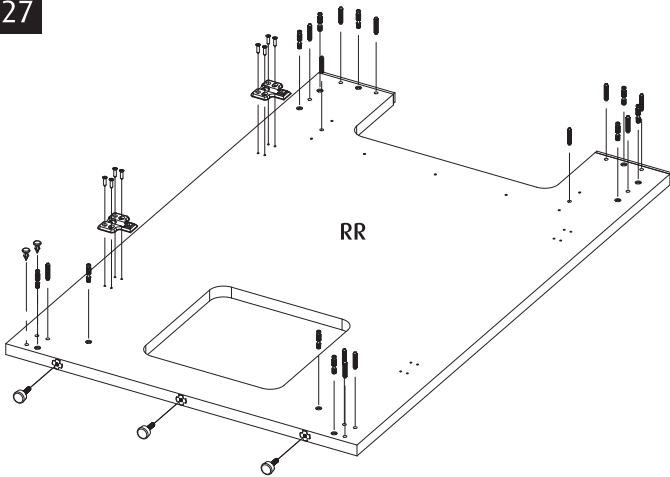
25



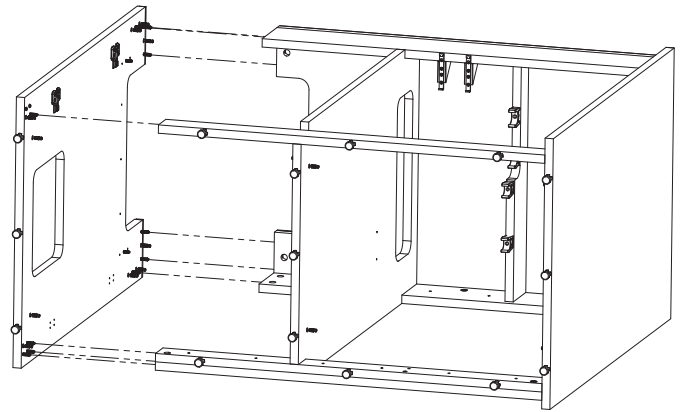
26



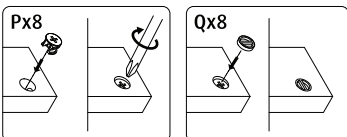
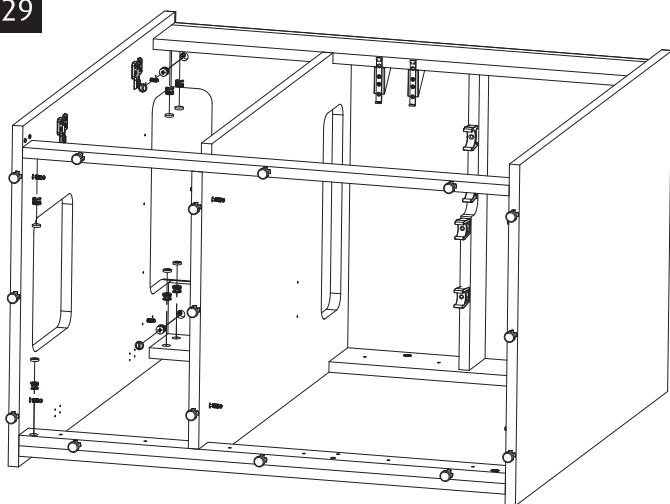
27



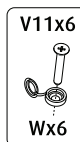
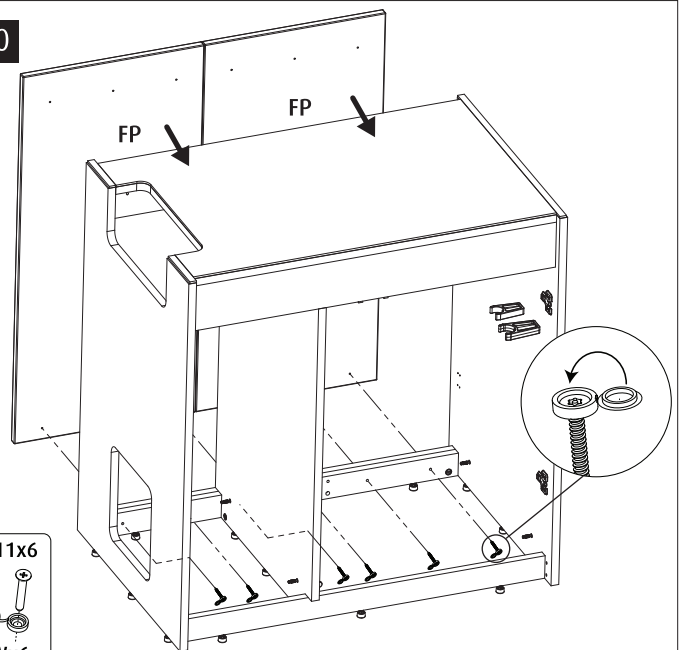
28

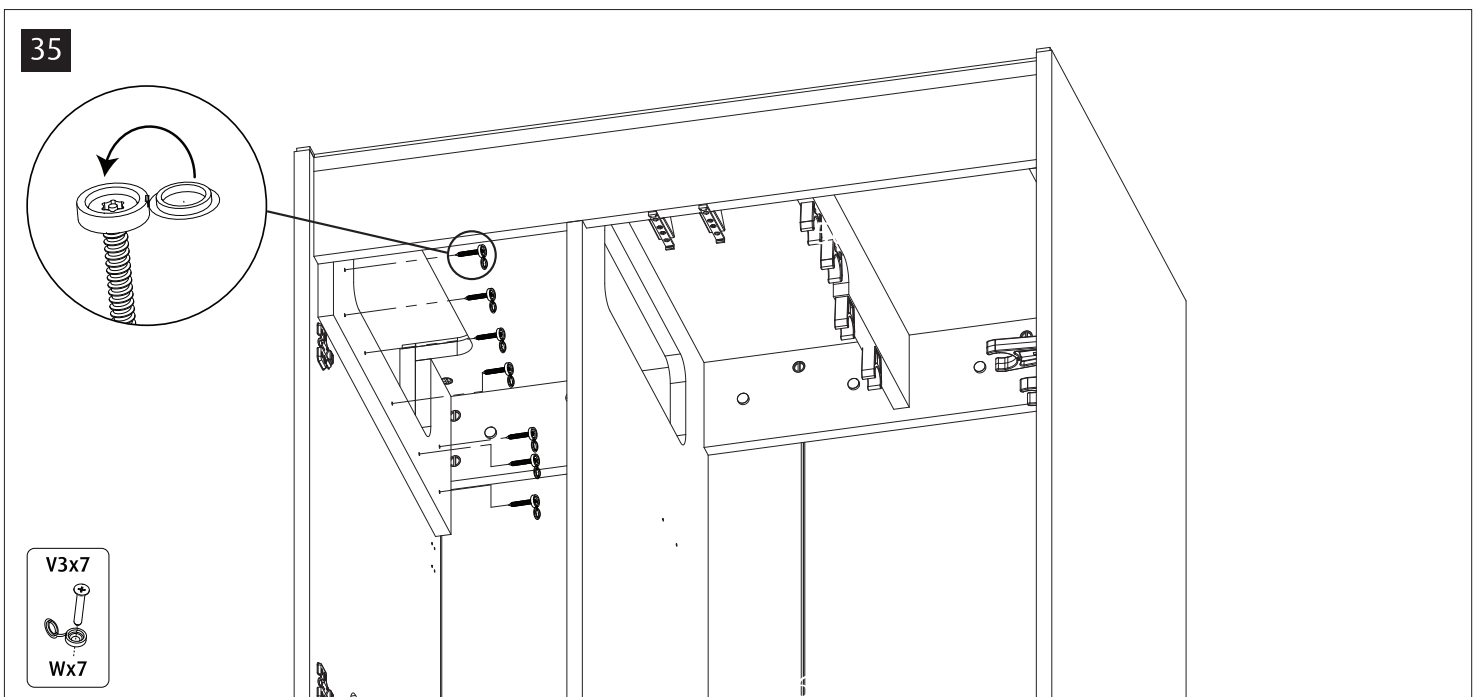
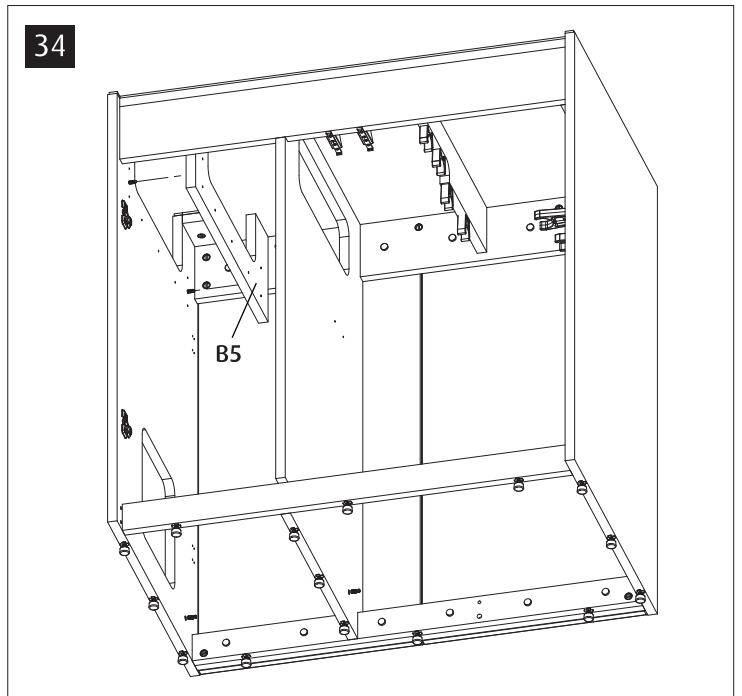
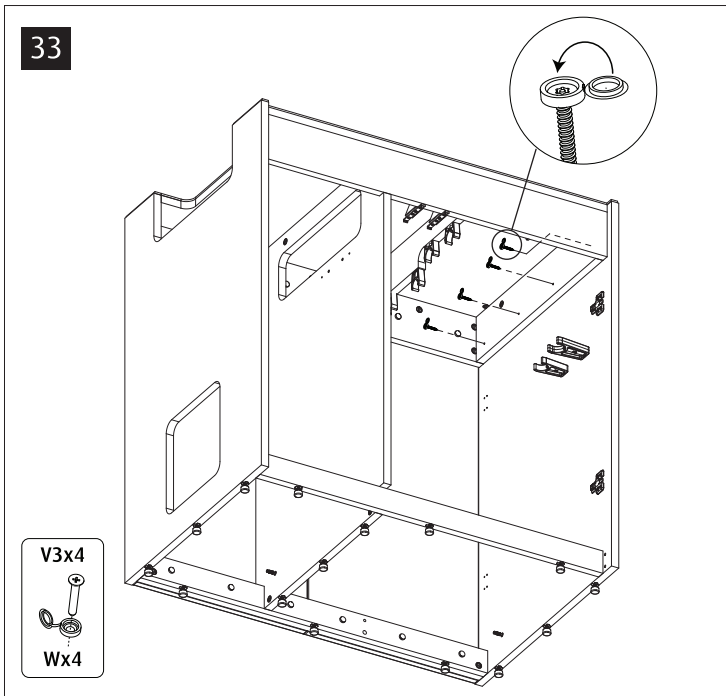
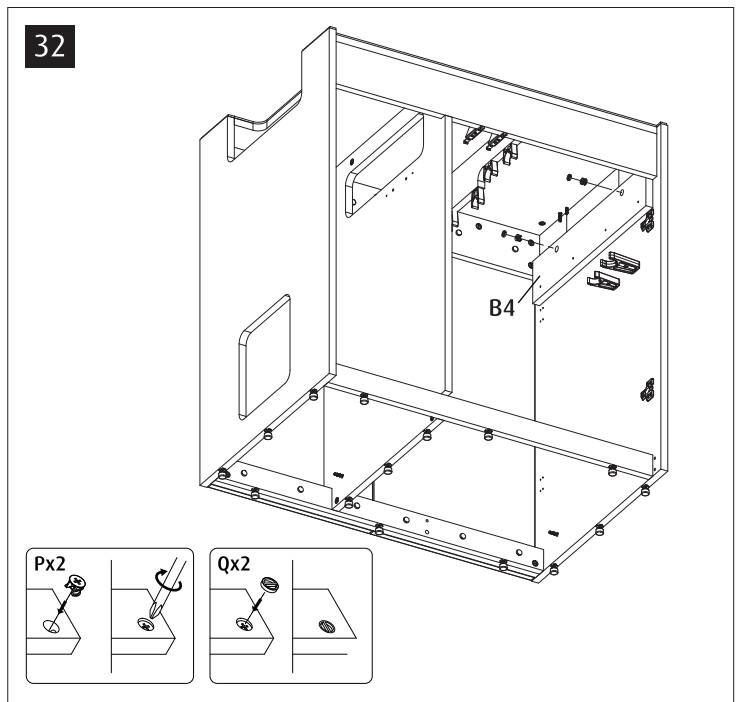
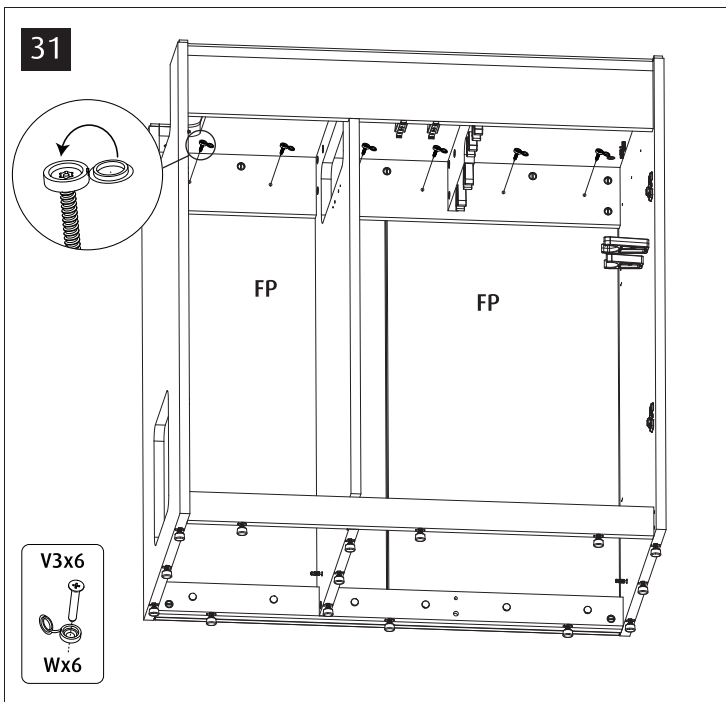


29

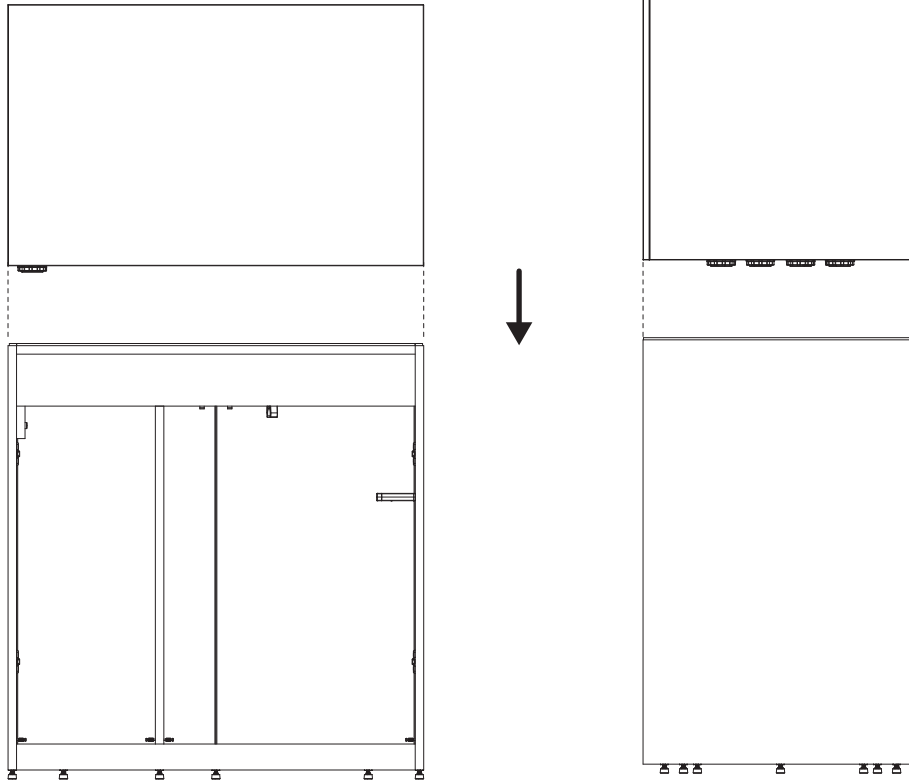


30



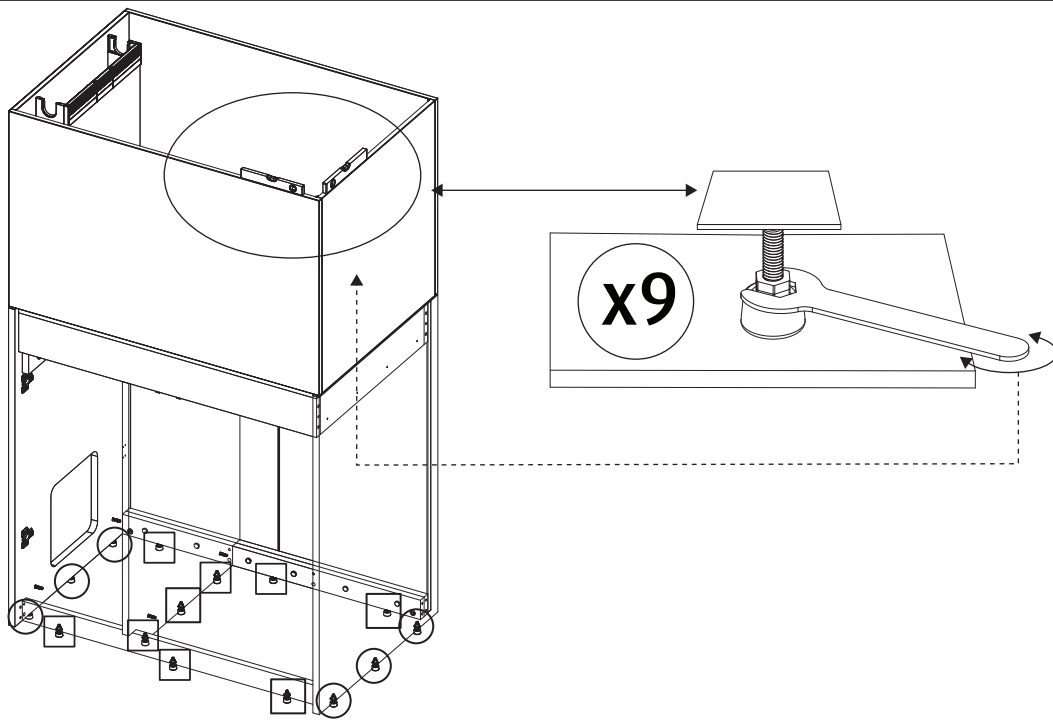


36



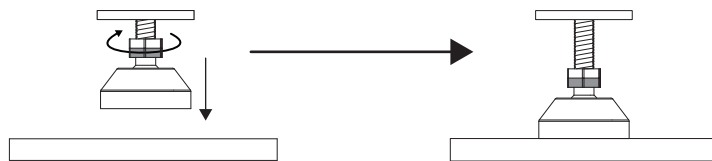
37

A



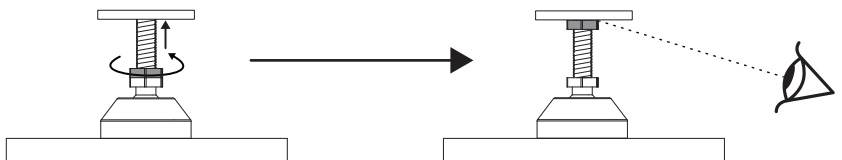
B

x6

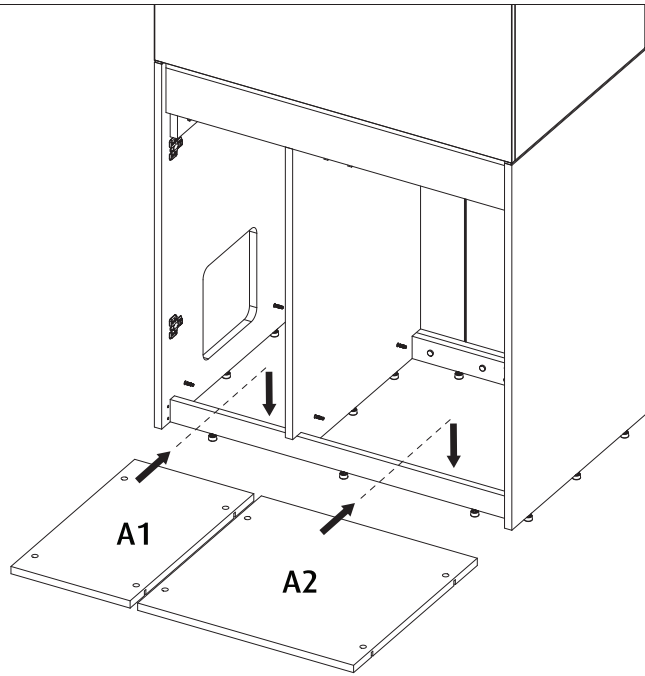


C

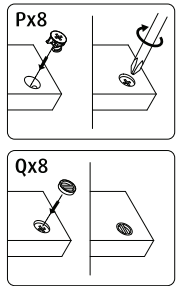
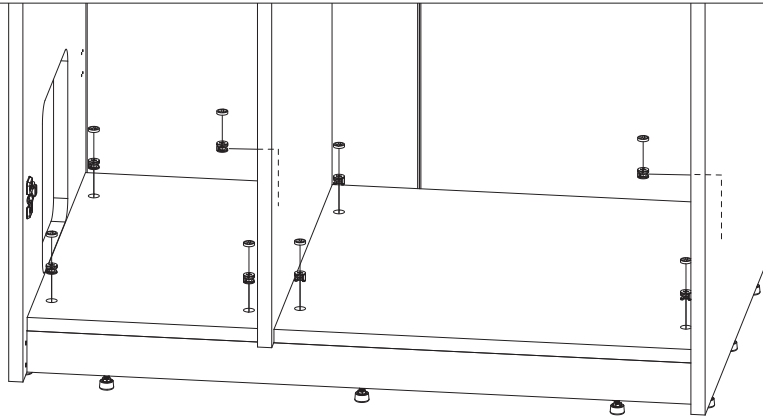
x12



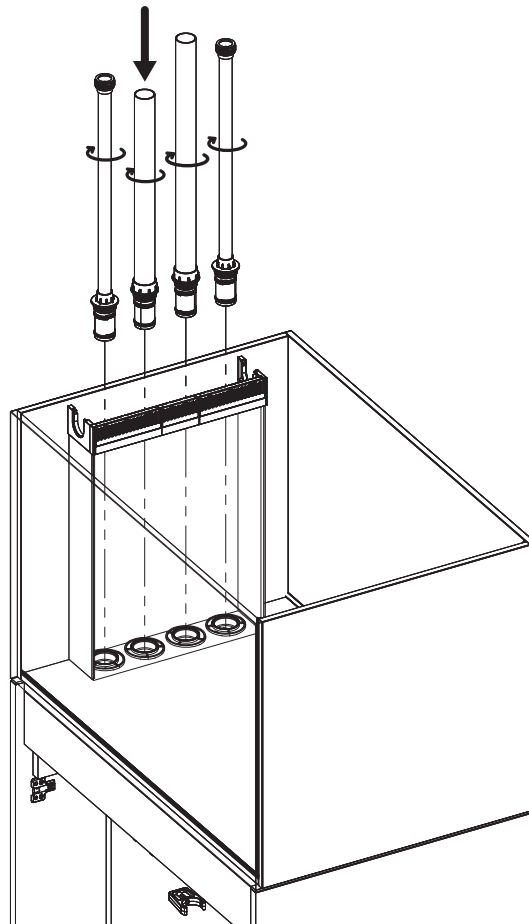
38



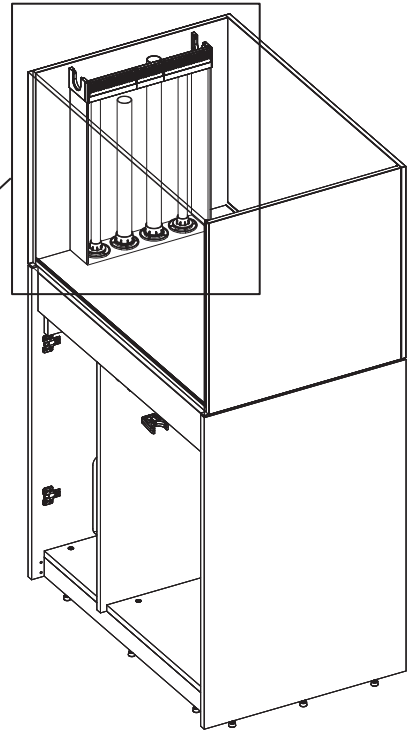
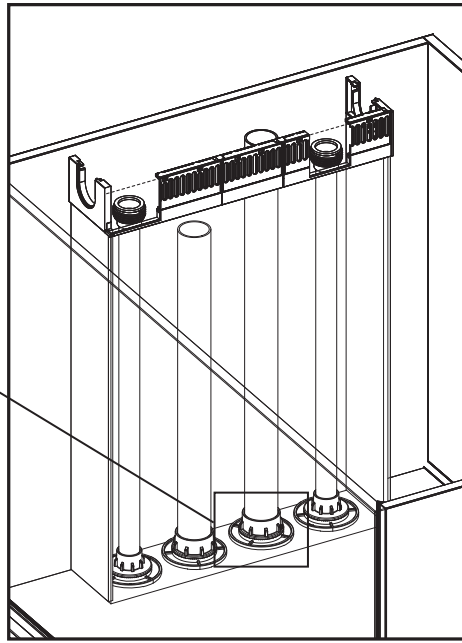
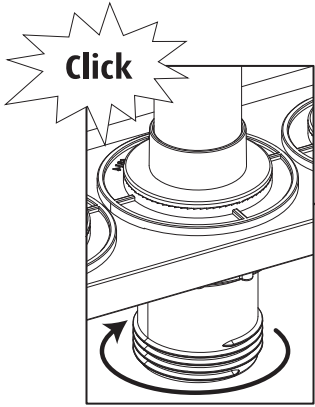
39



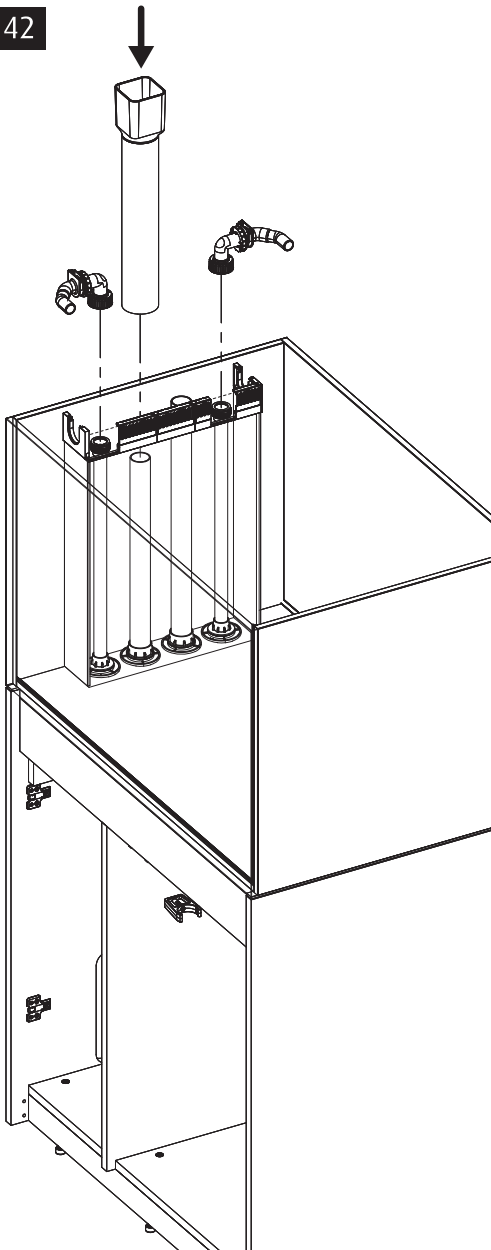
40



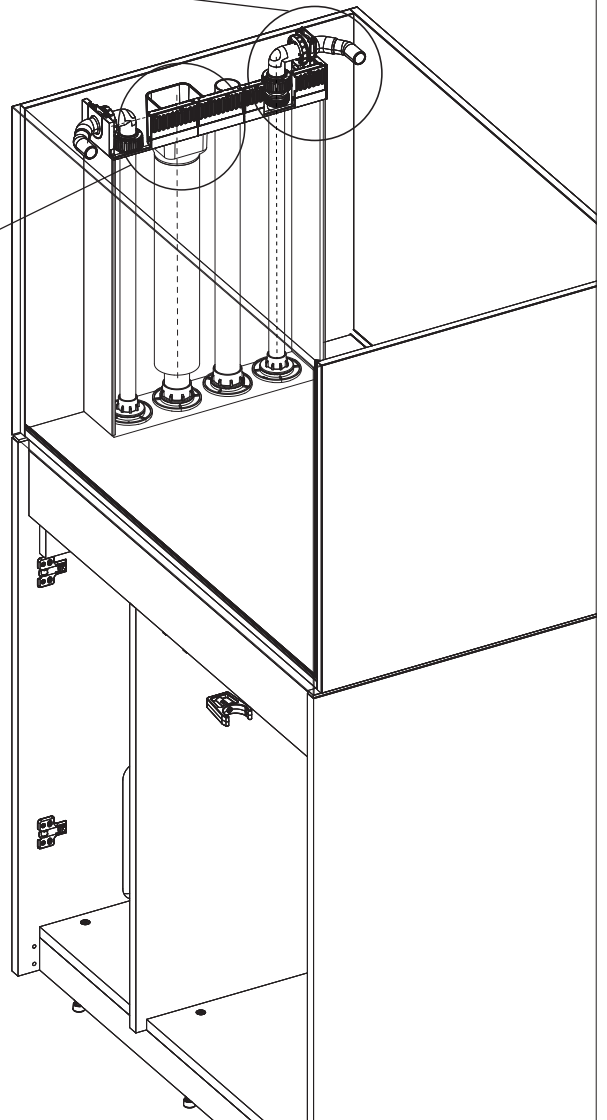
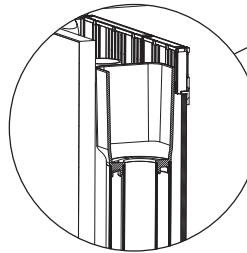
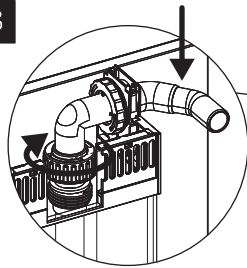
41



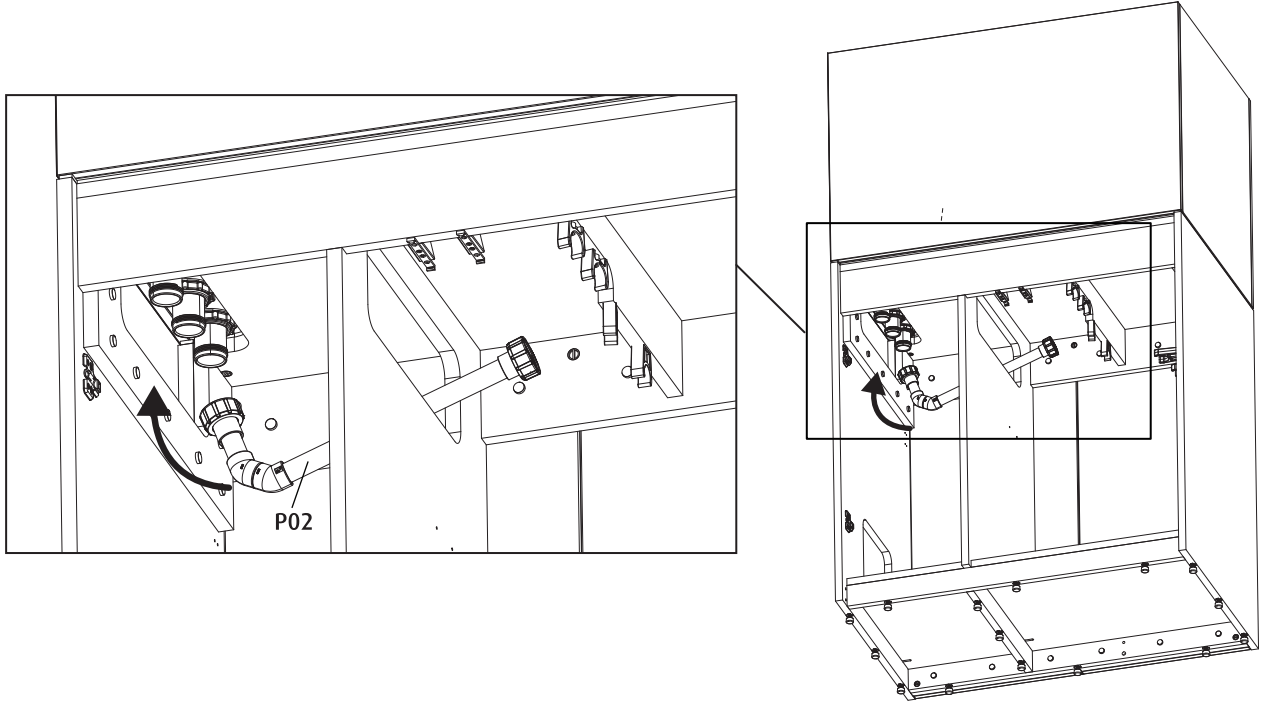
42



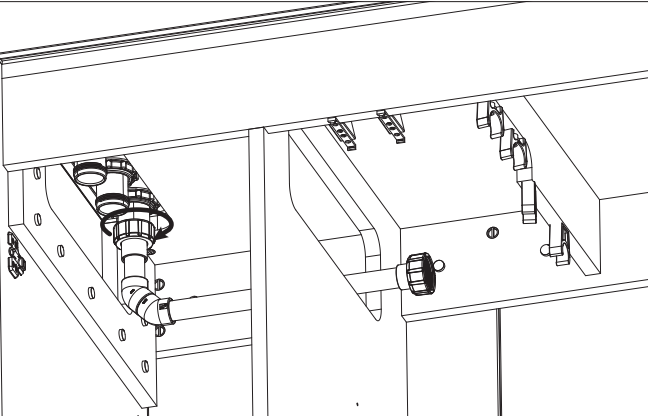
43



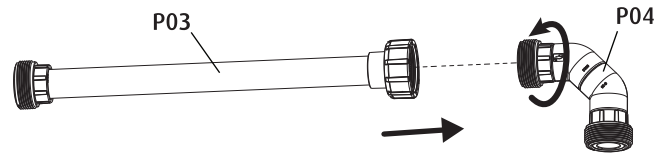
44



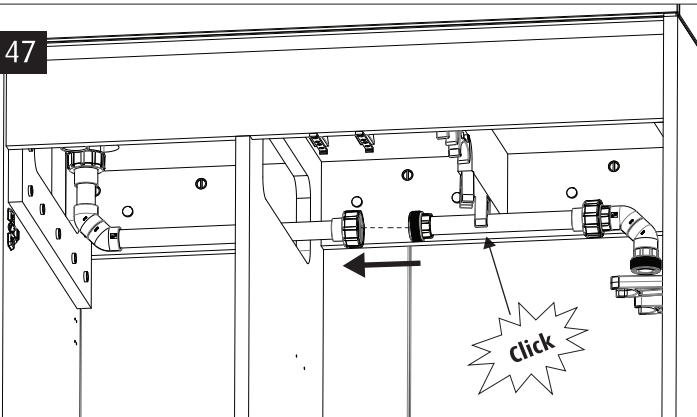
45



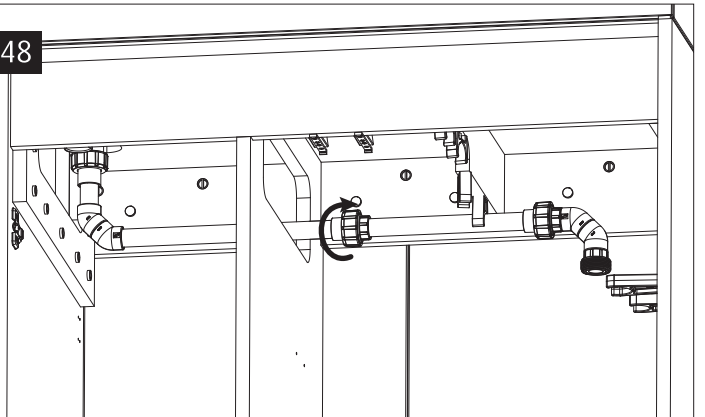
46



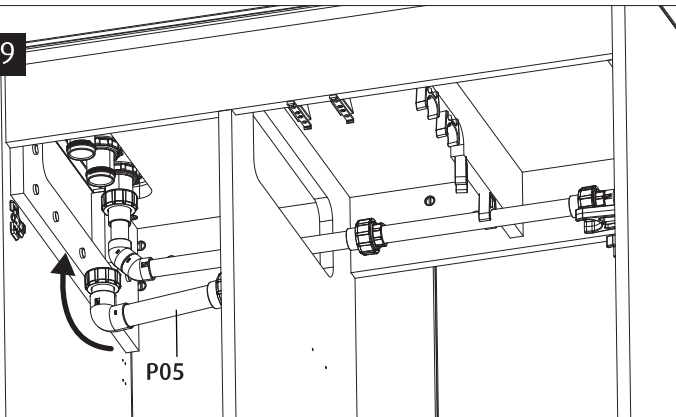
47



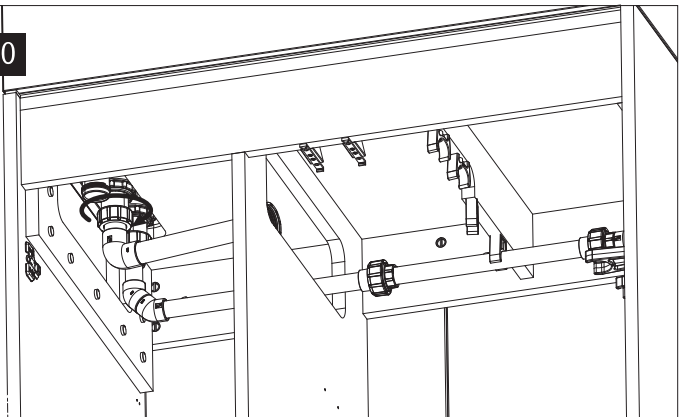
48

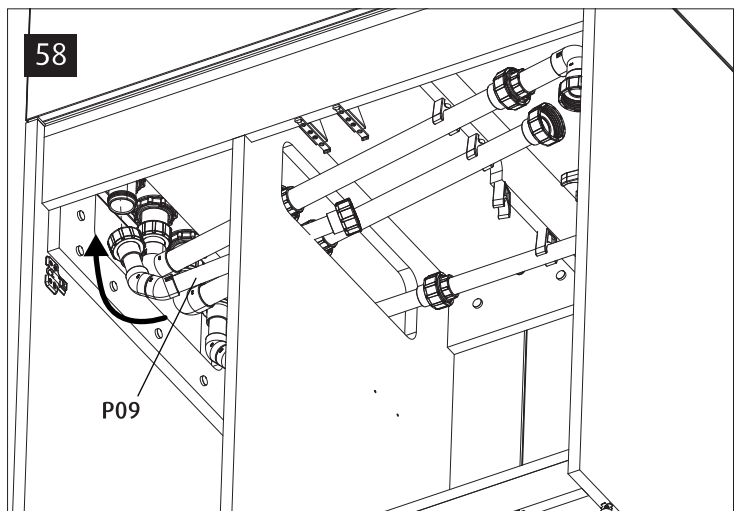
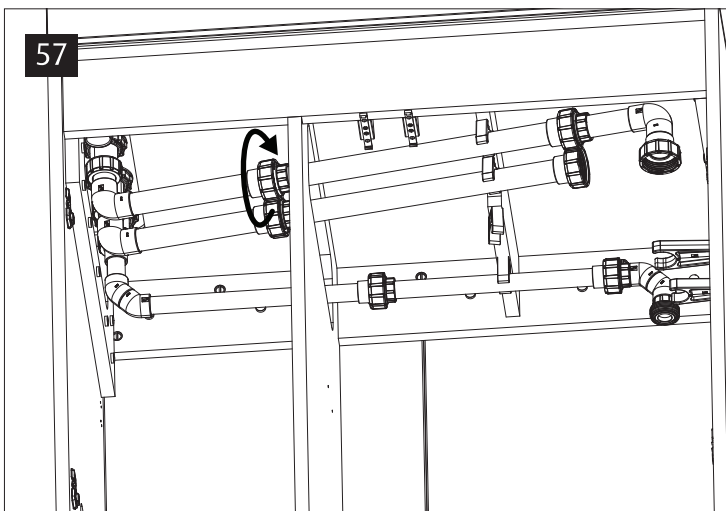
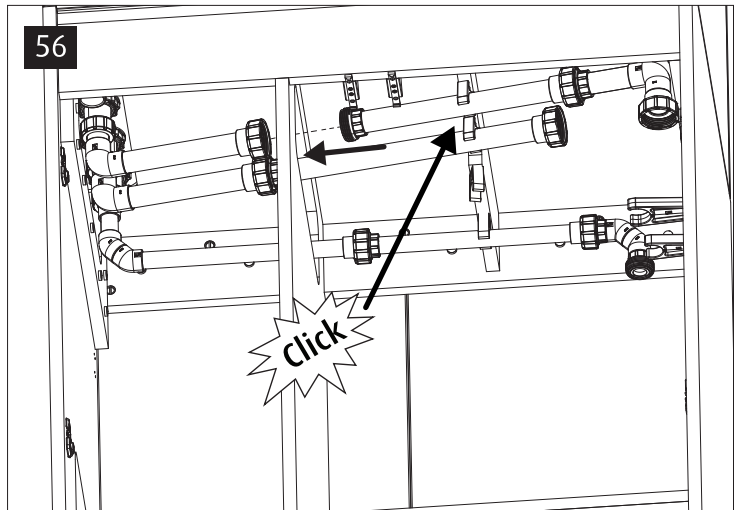
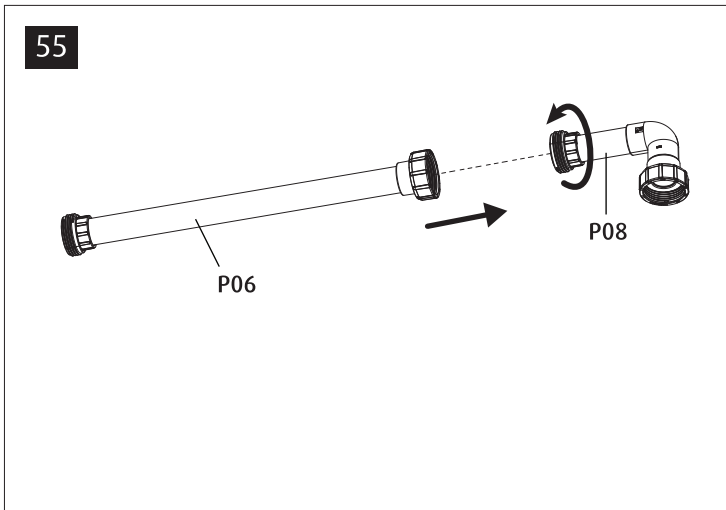
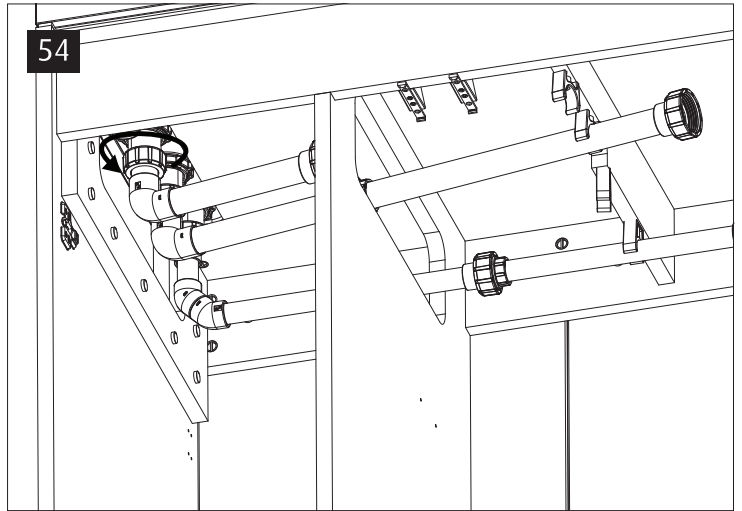
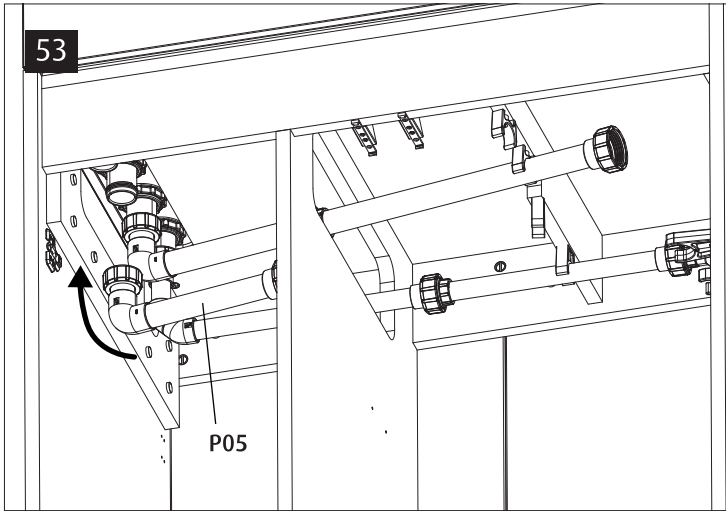
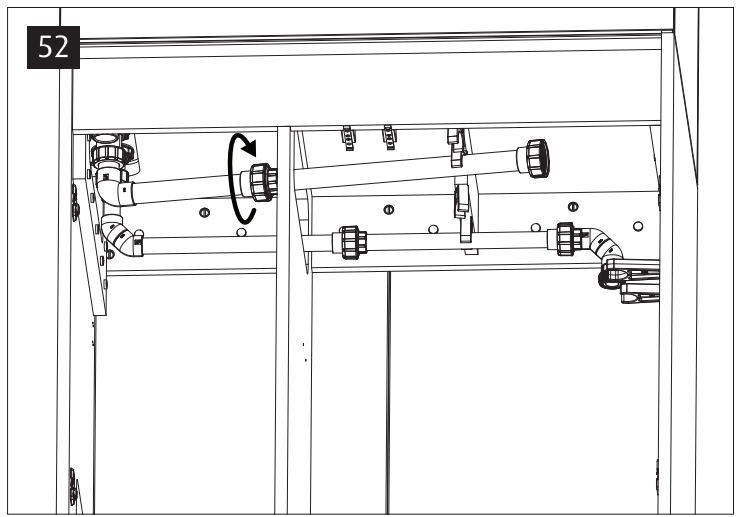
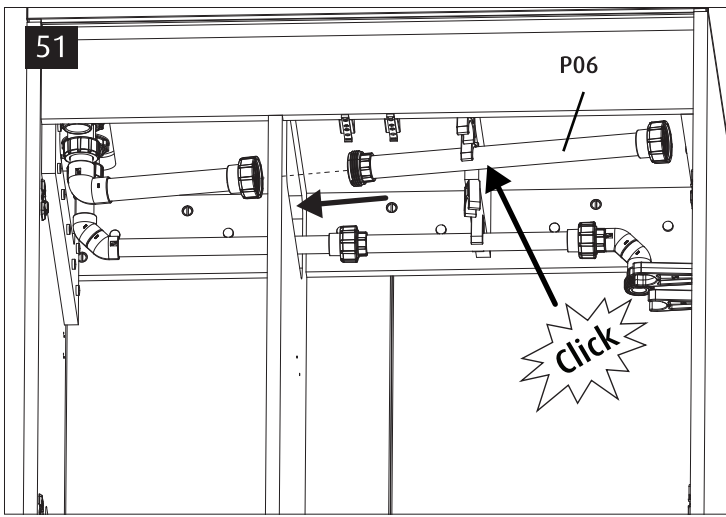


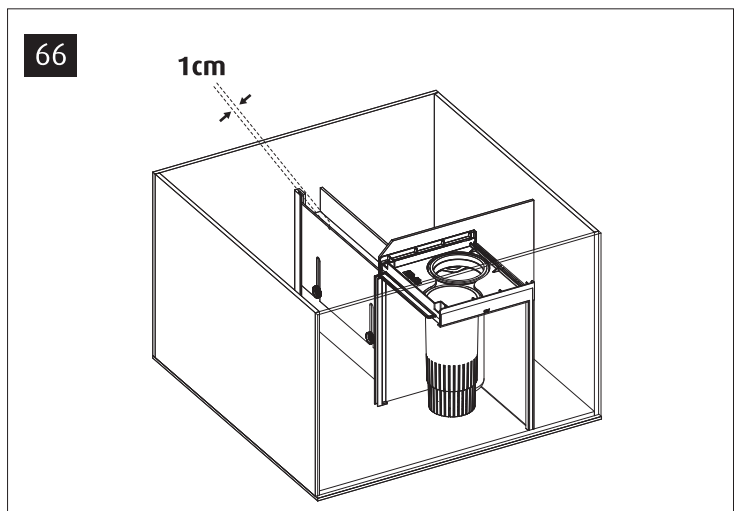
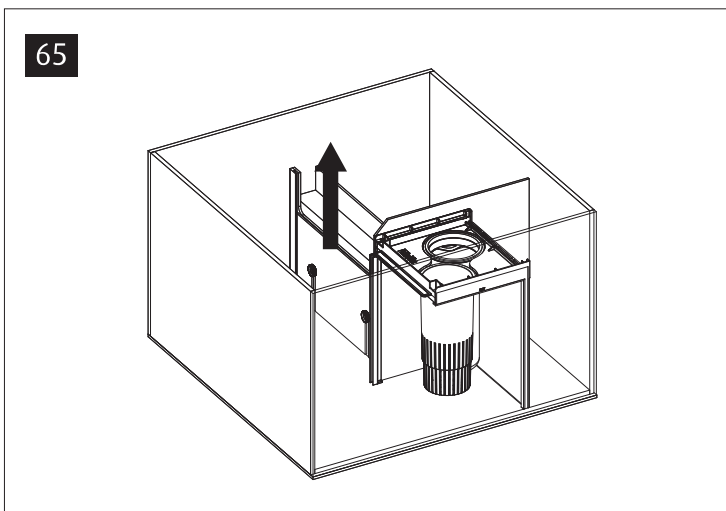
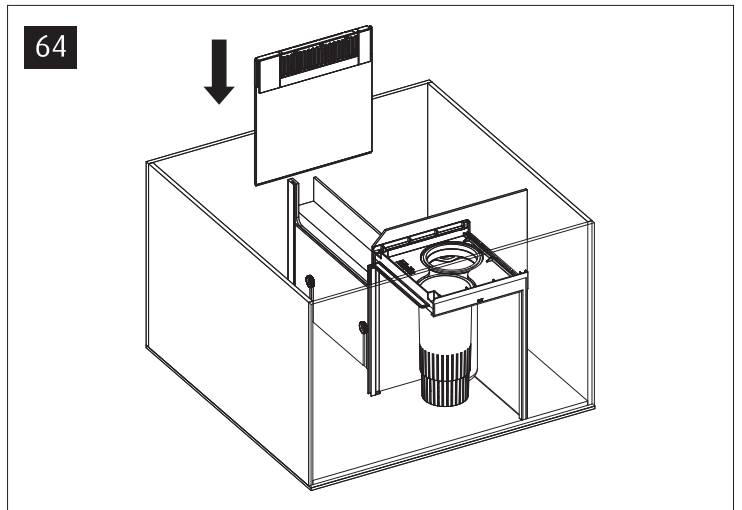
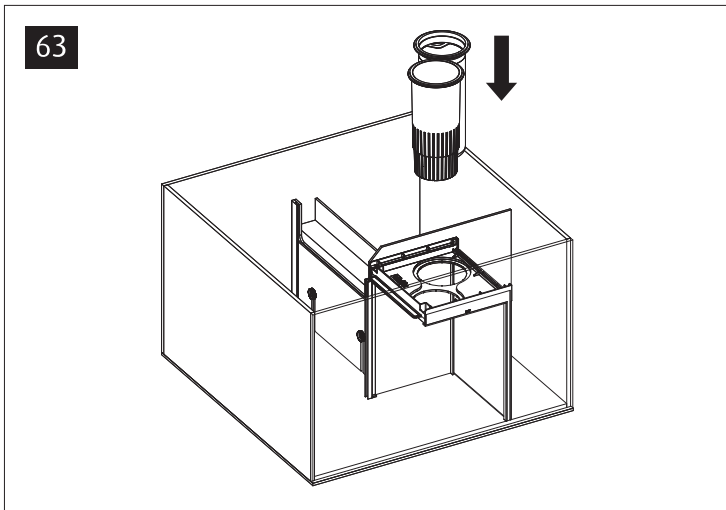
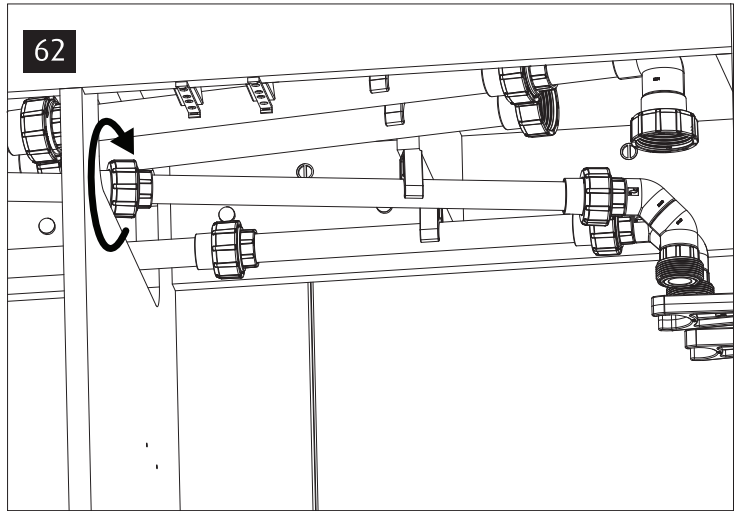
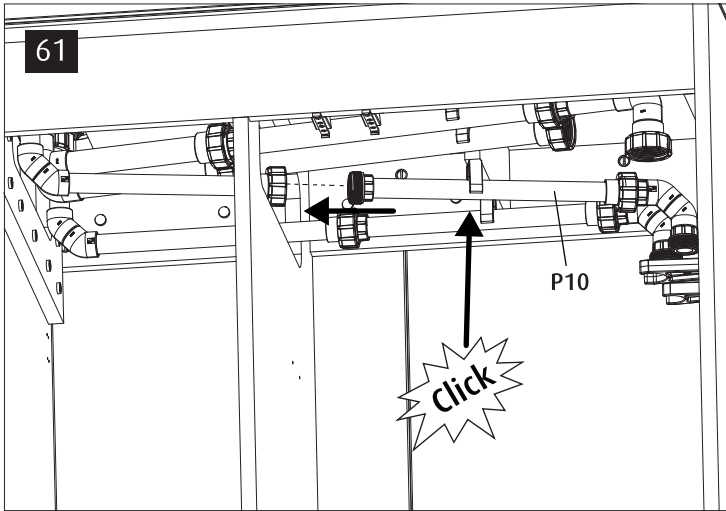
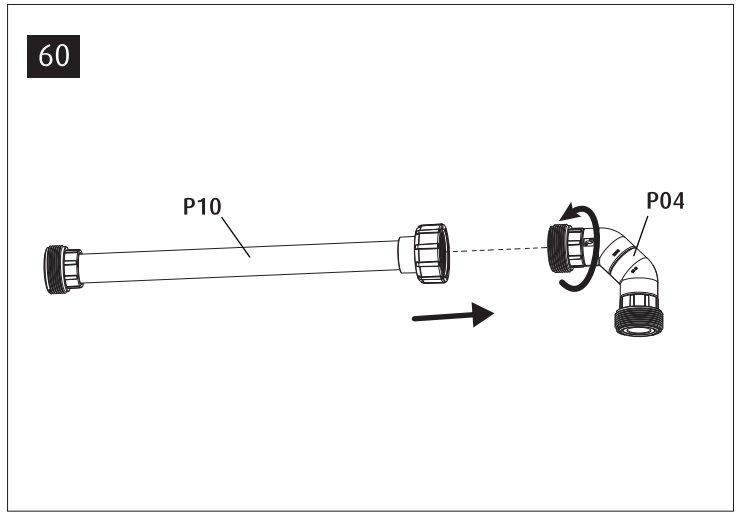
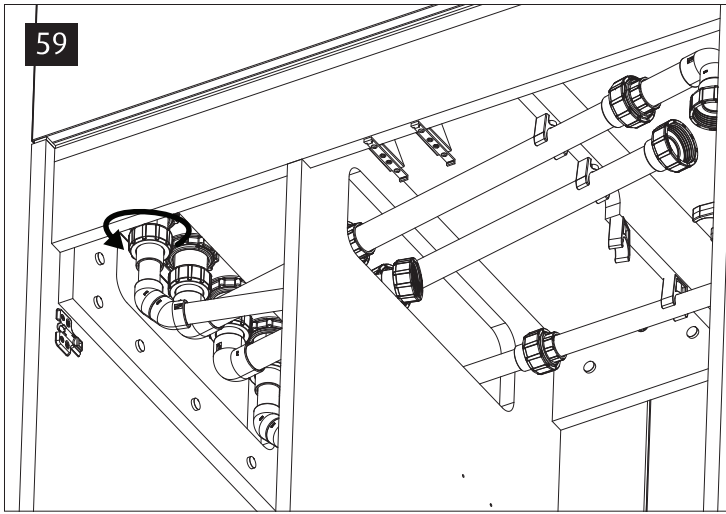
49

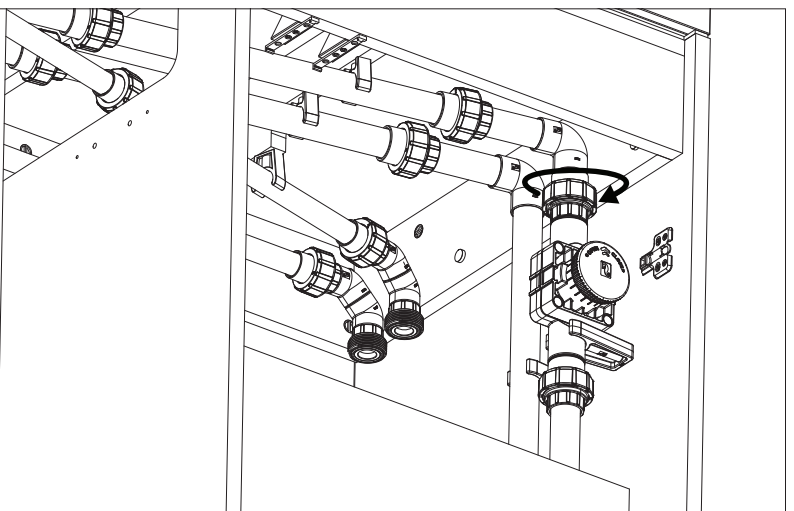
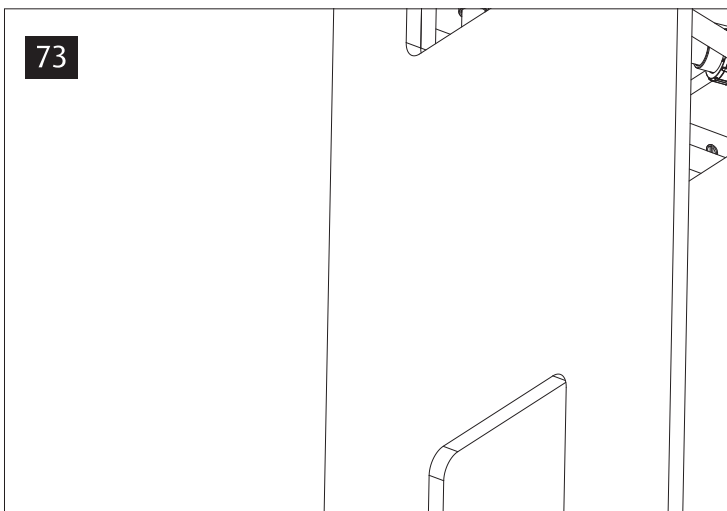
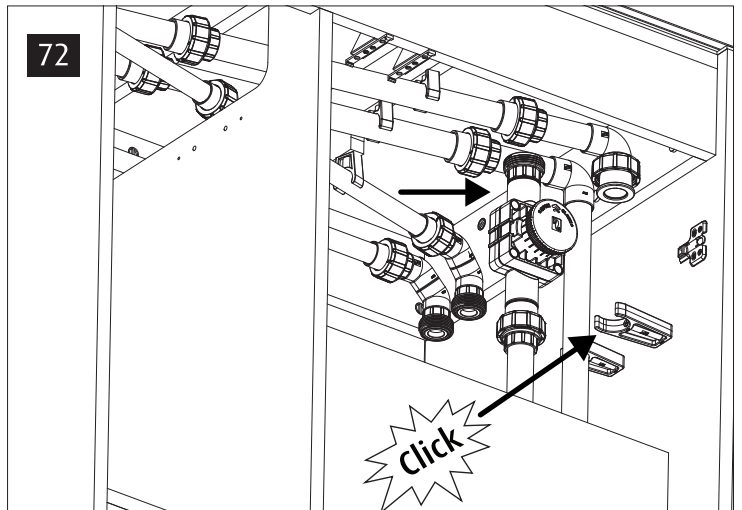
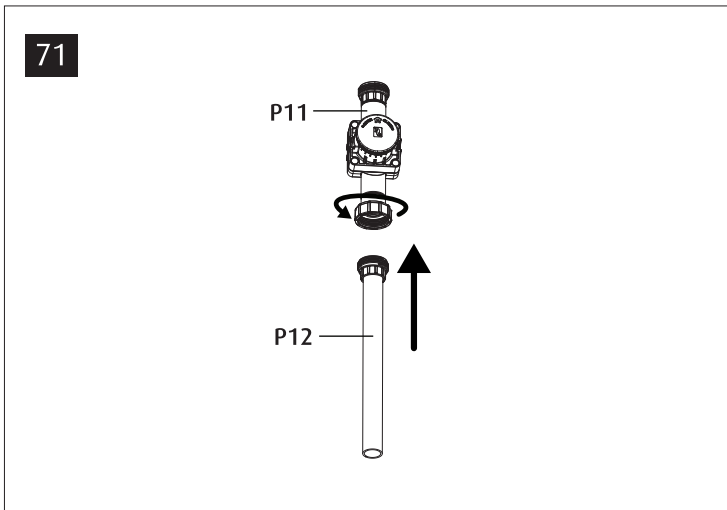
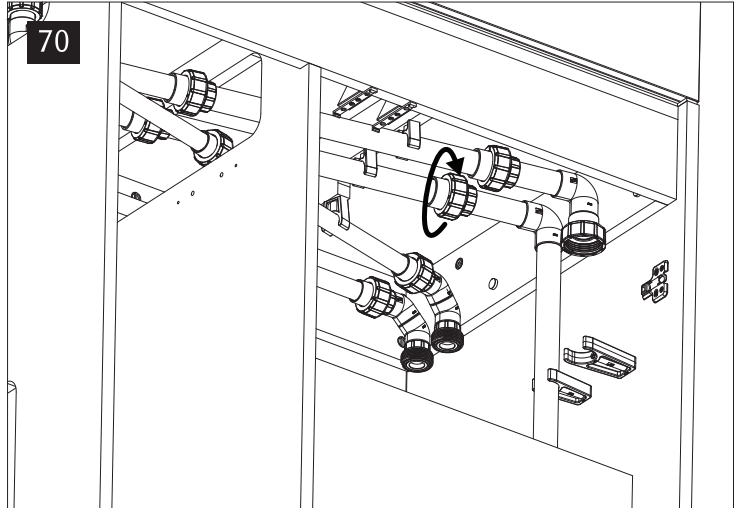
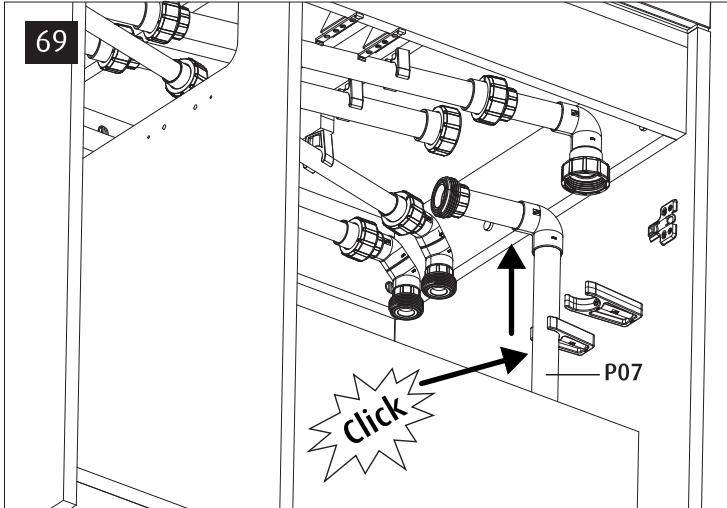
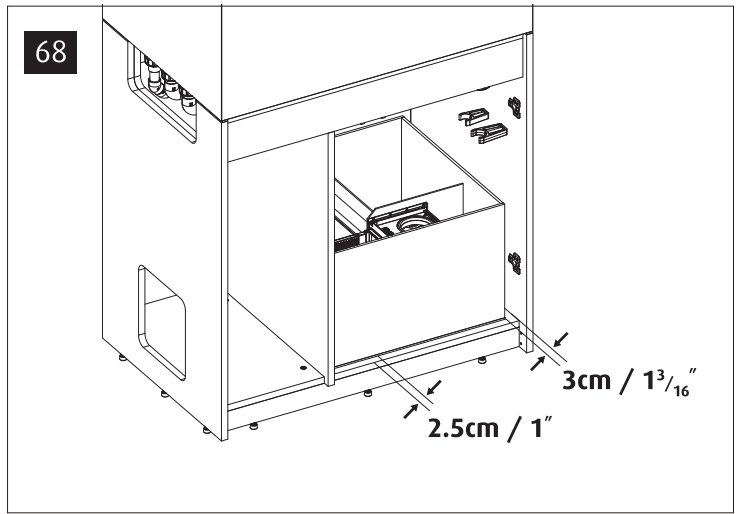
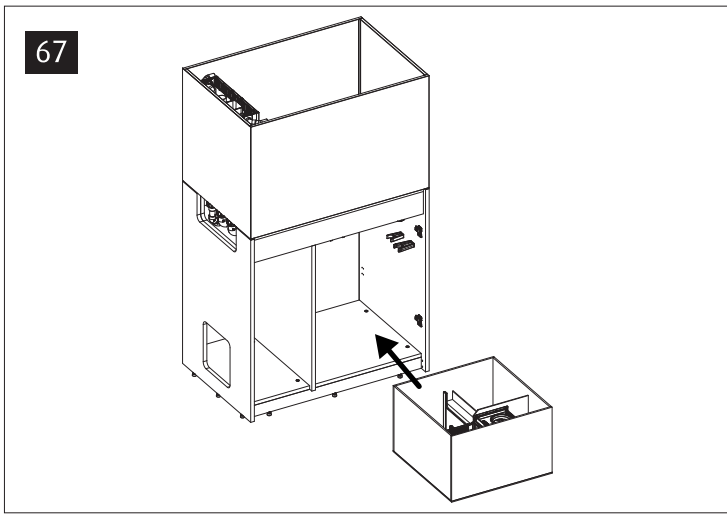


50

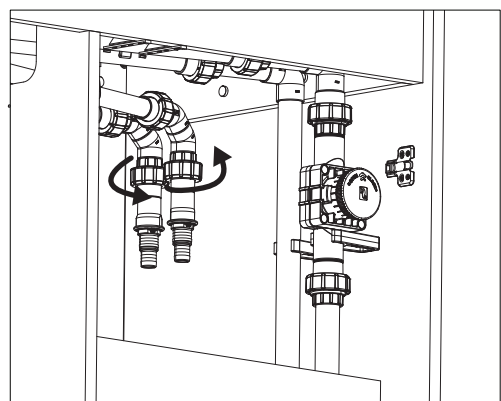
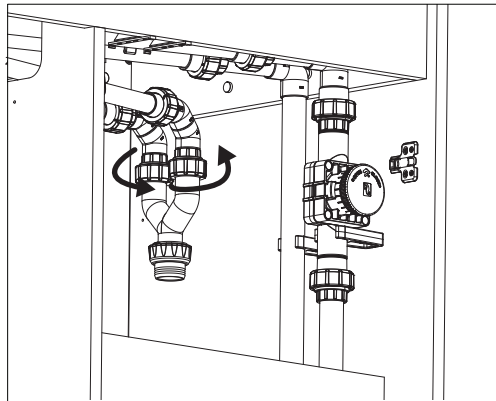
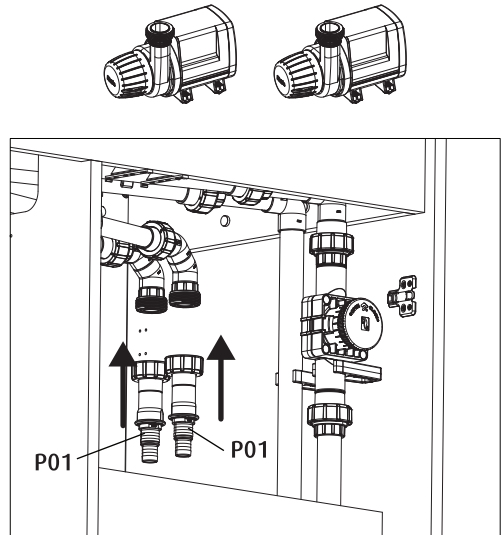
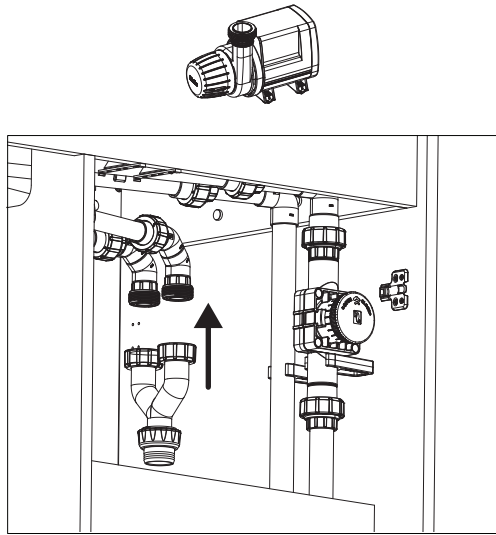




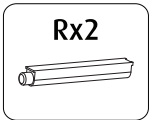
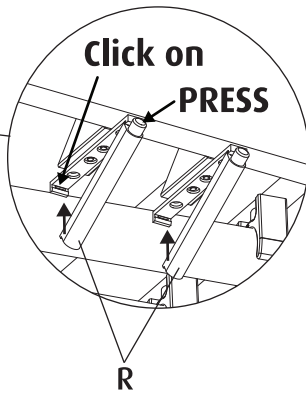
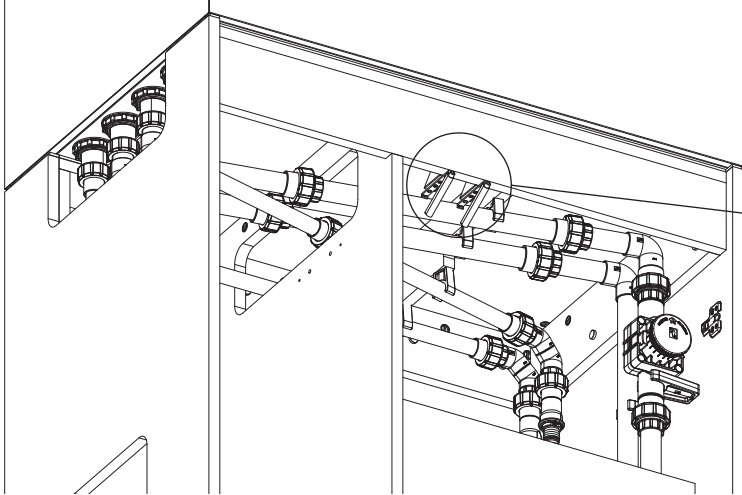




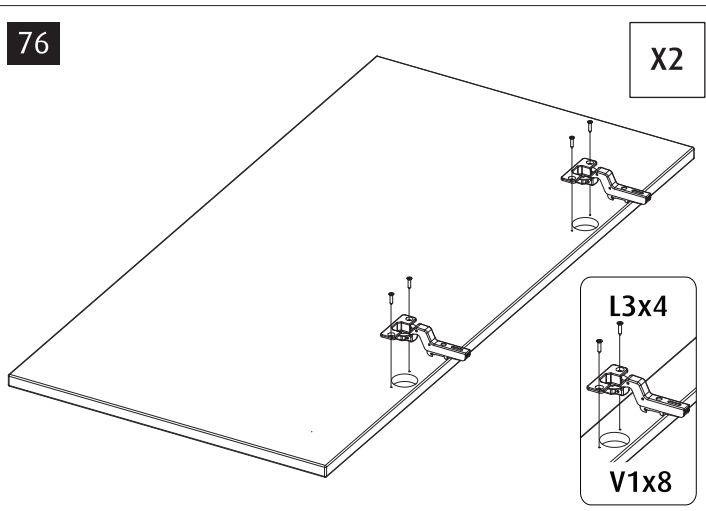
74



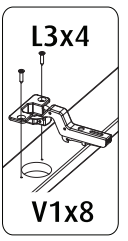
75



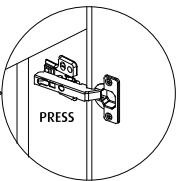
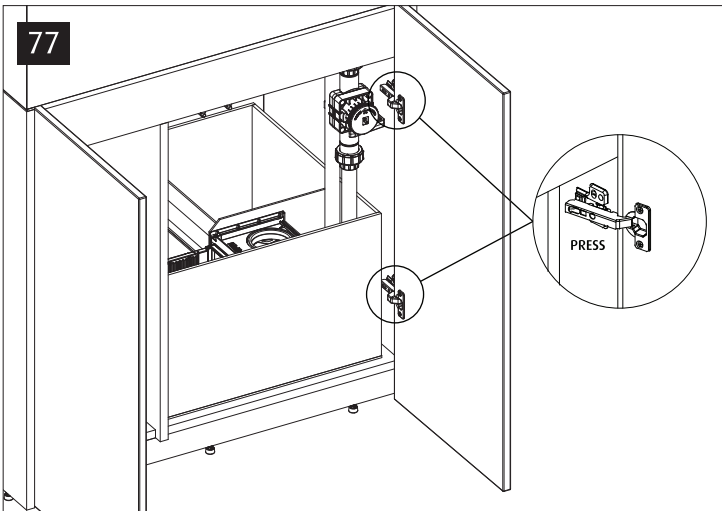
76

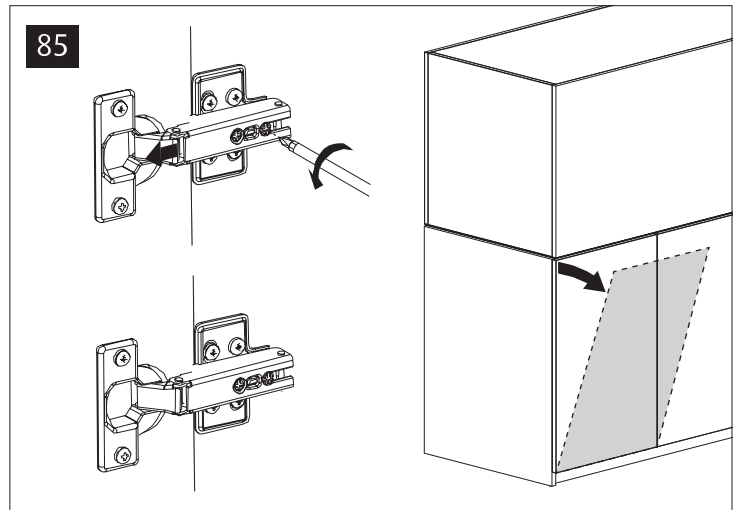
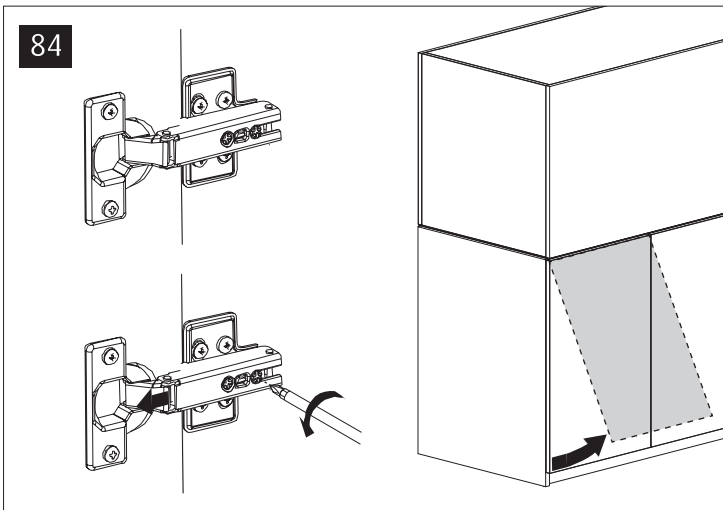
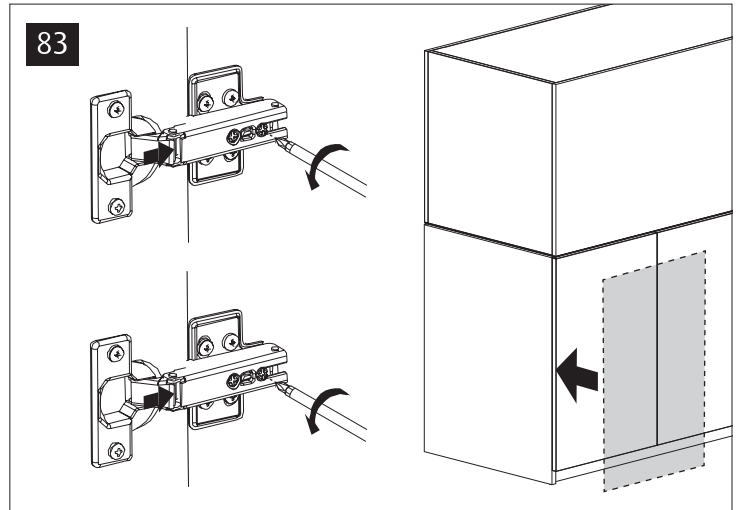
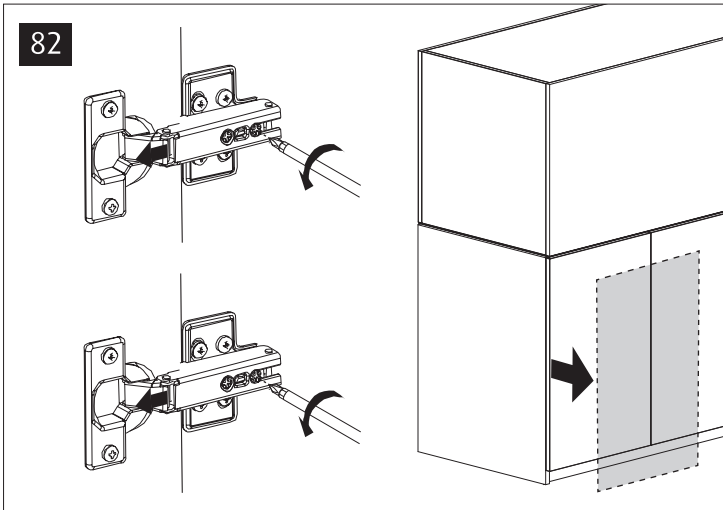
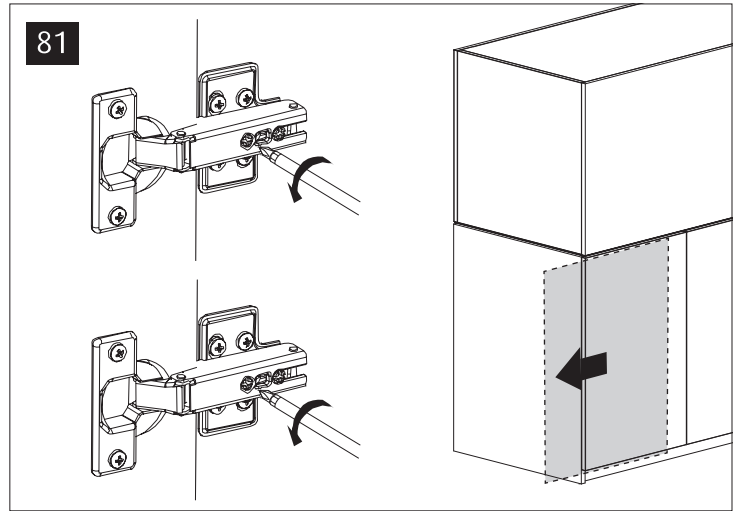
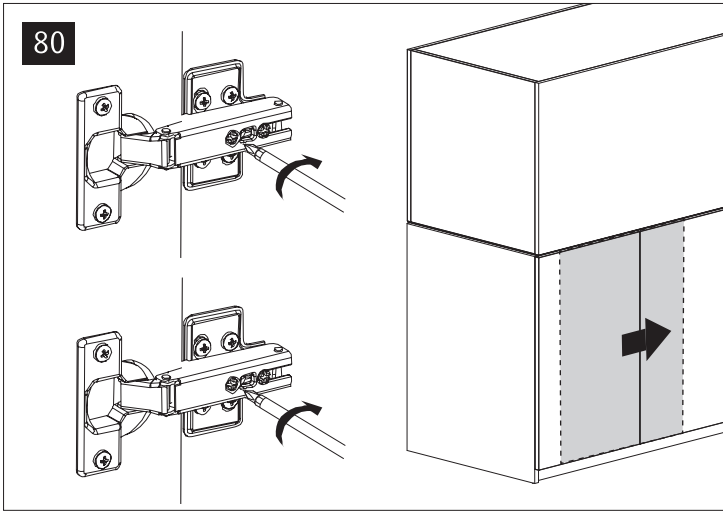
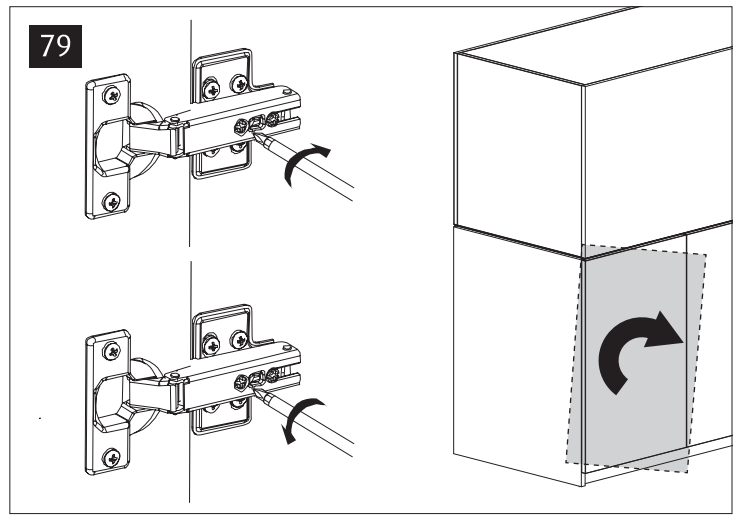
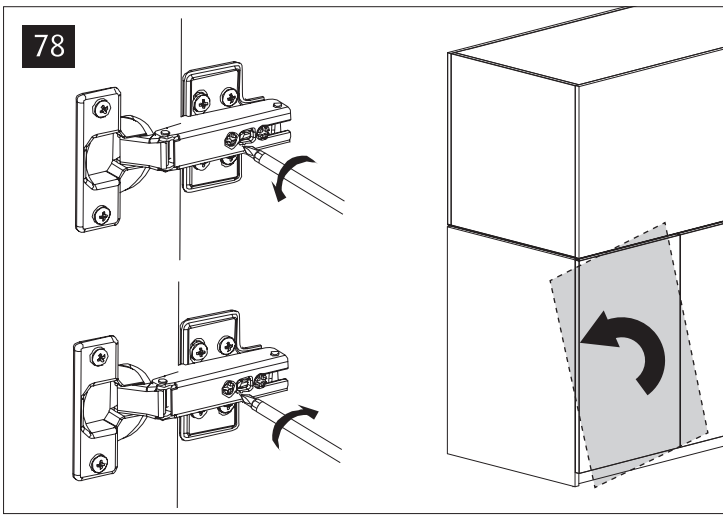


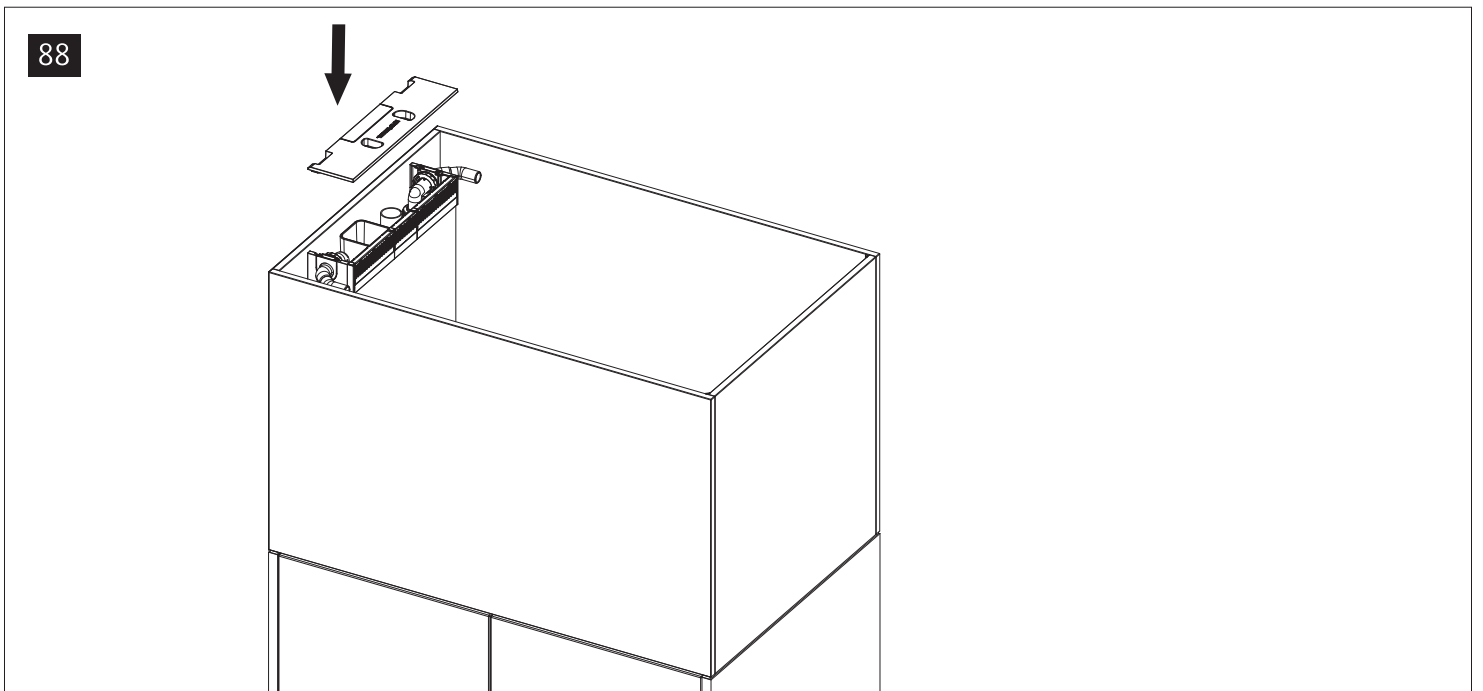
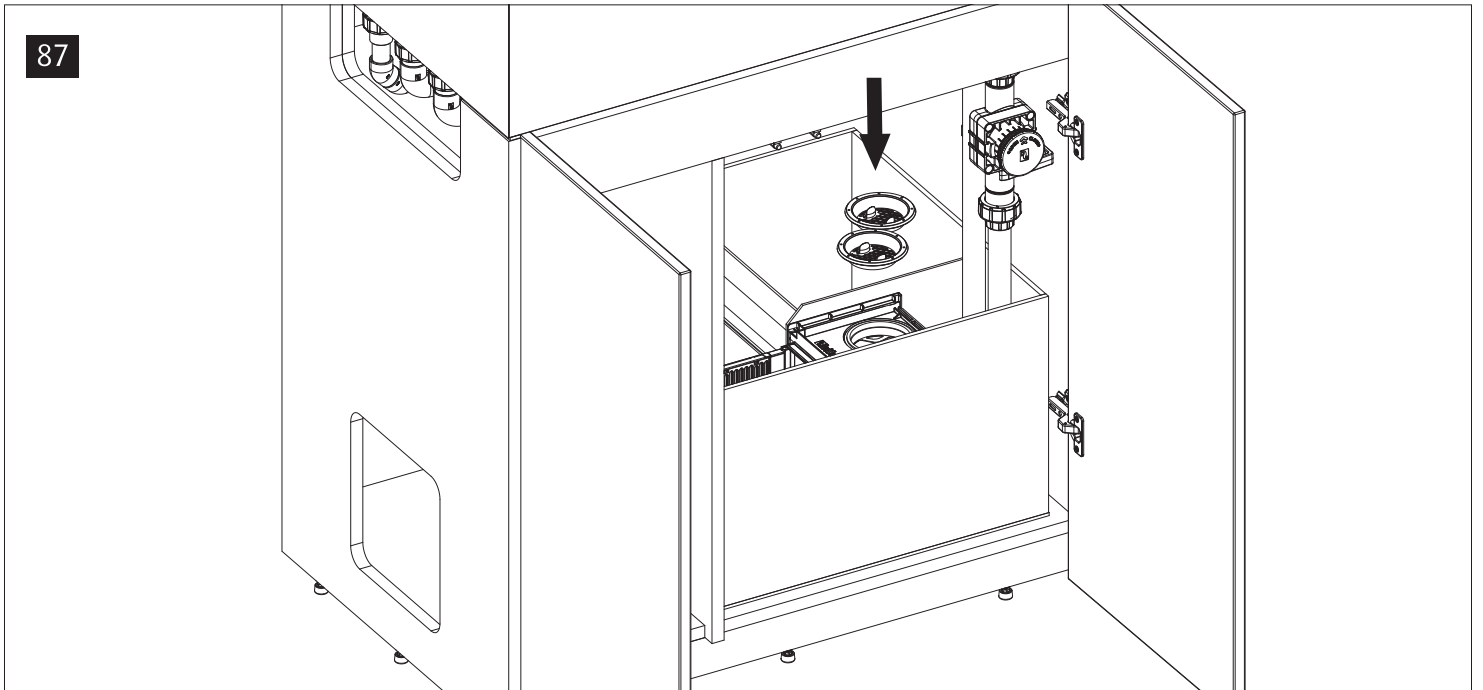
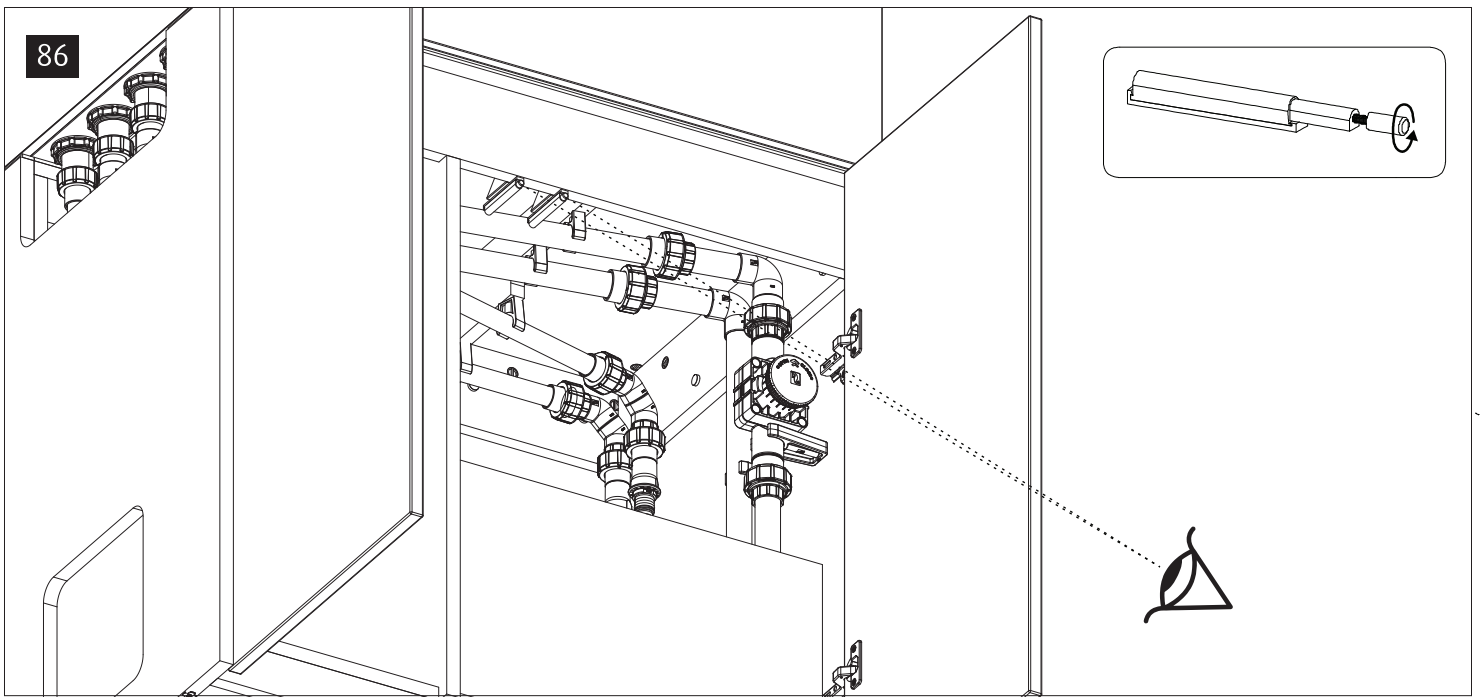
X2



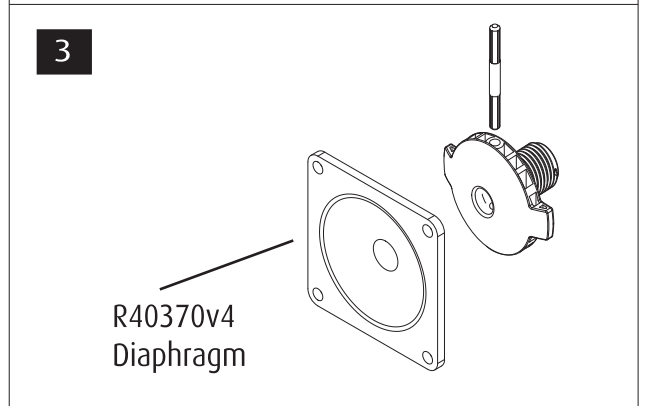
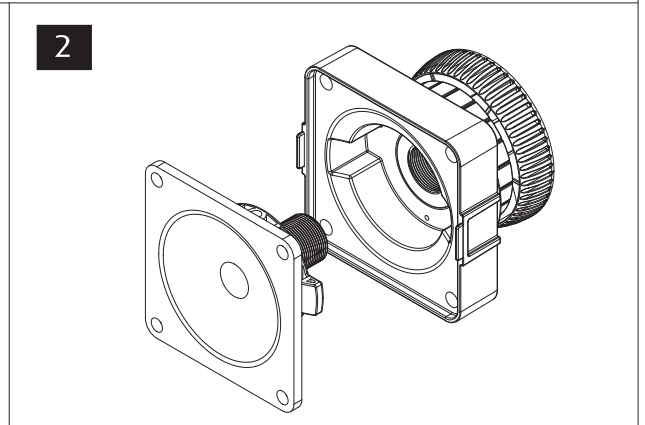
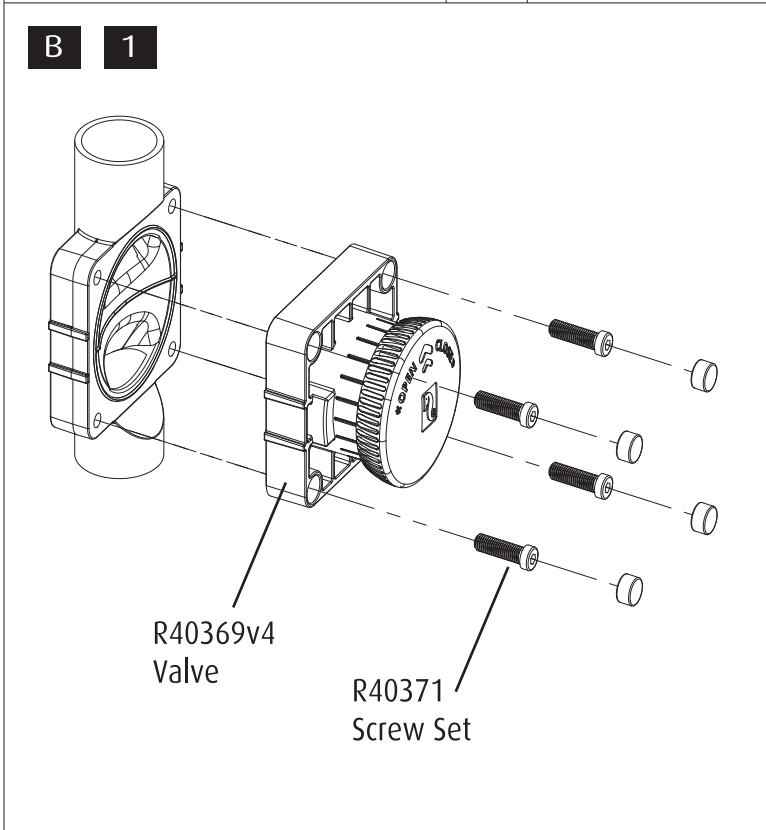
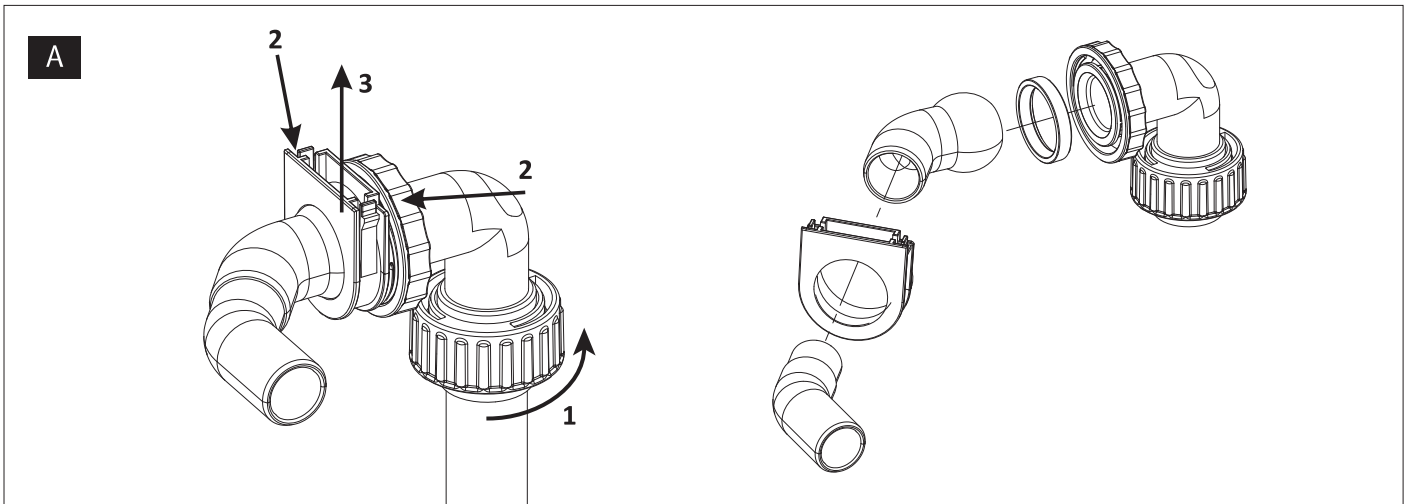
77



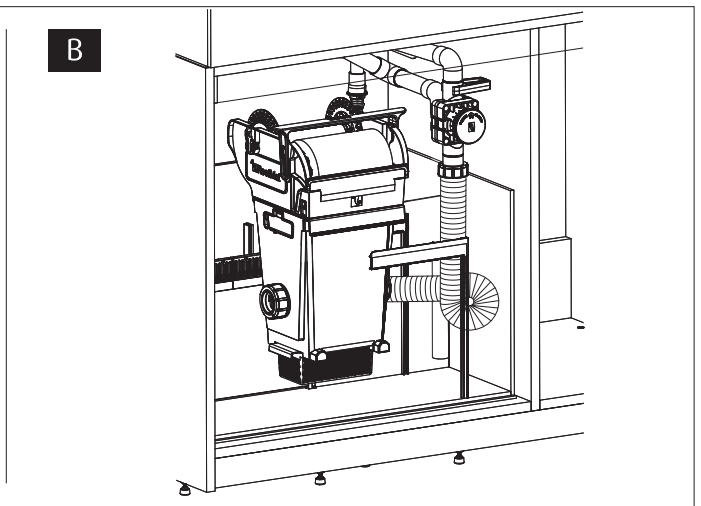
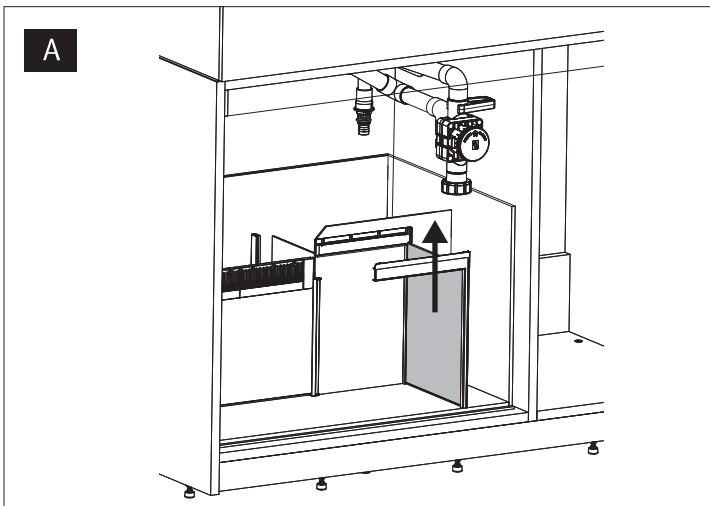




MAINTENANCE



ReefMat®



Europe

Red Sea Europe
655 Rue des Frères Lumière
27130 Verneuil d'Avre et d'Iton,
France
support.fr@redseafish.com

UK & Ireland

Red Sea Aquatics (UK) Ltd
PO Box 1237
Cheddar, BS279AG
uk.info@redseafish.com

North America

Red Sea U.S.A & Canada
4687 World Houston Parkway
#200
Houston, TX 77032, U.S.A
support.usa@redseafish.com

Germany & Austria

Red Sea Deutschland
Büro Deutschland
Prinzenallee 7 (Prinzenpark)
40549 Düsseldorf
support.de@redseafish.com

China

Red Sea Aquatics (GZ) Ltd.
Block 2-4, No.168, West Yingbin
Road, Xinhua Industrial Park,
Huadu District, Guangzhou City,
China, Postal code 510812.
Tel: +86-020-6625 3828
info.china@redseafish.com

